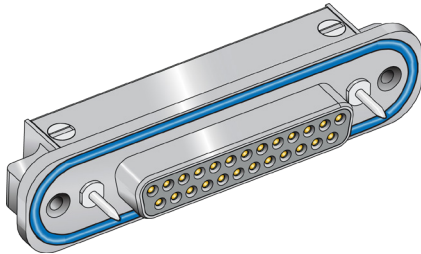


## 280-025S right angle PC tail socket connectors with O-ring flange for rear panel mounting



Rear panel mount HiPer-D® right angle PC tail socket connectors feature rugged one-piece machined aluminum shell and stainless steel shroud for improved EMI protection. Contacts are non-removable size #20 or #22. Flange O-ring provides panel seal. Intermateable with standard M24308-type D-Subminiature connectors, the HiPer-D® features environmental sealing and optional blind mate hardware. #4-40 threaded mounting holes simplify panel attachment. Threaded holes on the bottom of the connector allow attachment to circuit board. Contacts are potted with epoxy. Glass-reinforced thermoset epoxy insulators. 1000 VAC, 5 Amps (#22) or 7.5 Amps (#20).

B

How To Order						
<b>Sample Part Number</b>		<b>280-025S</b>	<b>5H78</b>	<b>MT</b>	<b>G</b>	<b>B</b>
<b>Basic Part Number</b>						
<b>Shell Size-Contact Arrangement</b>	See Shell Size - Contact Arrangements Table					
<b>Shell Finish</b>	<b>ME</b> = Electroless Nickel <b>JF</b> = Cadmium with Yellow Chromate <b>Z1</b> = Passivated Stainless Steel	<b>MT</b> = Nickel-PTFE <b>Z2</b> = Gold				
<b>Mating Hardware</b>	<b>N</b> = No Hardware (supplied with #8-32 tapped holes) <b>G</b> = Male Guide Pins	<b>P</b> = #4-40 Female Jackposts <b>B</b> = Female Guide Bushings				
<b>PC Tail Length</b>	<b>A</b> = .125 (3.18) Tail Length	<b>B</b> = .250 (6.35) Tail Length				

Shell Size - Contact Arrangements		
Shell Size-Contact Arr.	Contact Size and Qty	
	#20	#22
<b>Standard Density</b>		
<b>1S9</b>	9	
<b>2S15</b>	15	
<b>3S25</b>	25	
<b>4S37</b>	37	
<b>5S50</b>	50	
<b>High Density</b>		
<b>1H15</b>		15
<b>2H26</b>		26
<b>3H44</b>		44
<b>4H62</b>		62
<b>5H78</b>		78
<b>6H104</b>		104

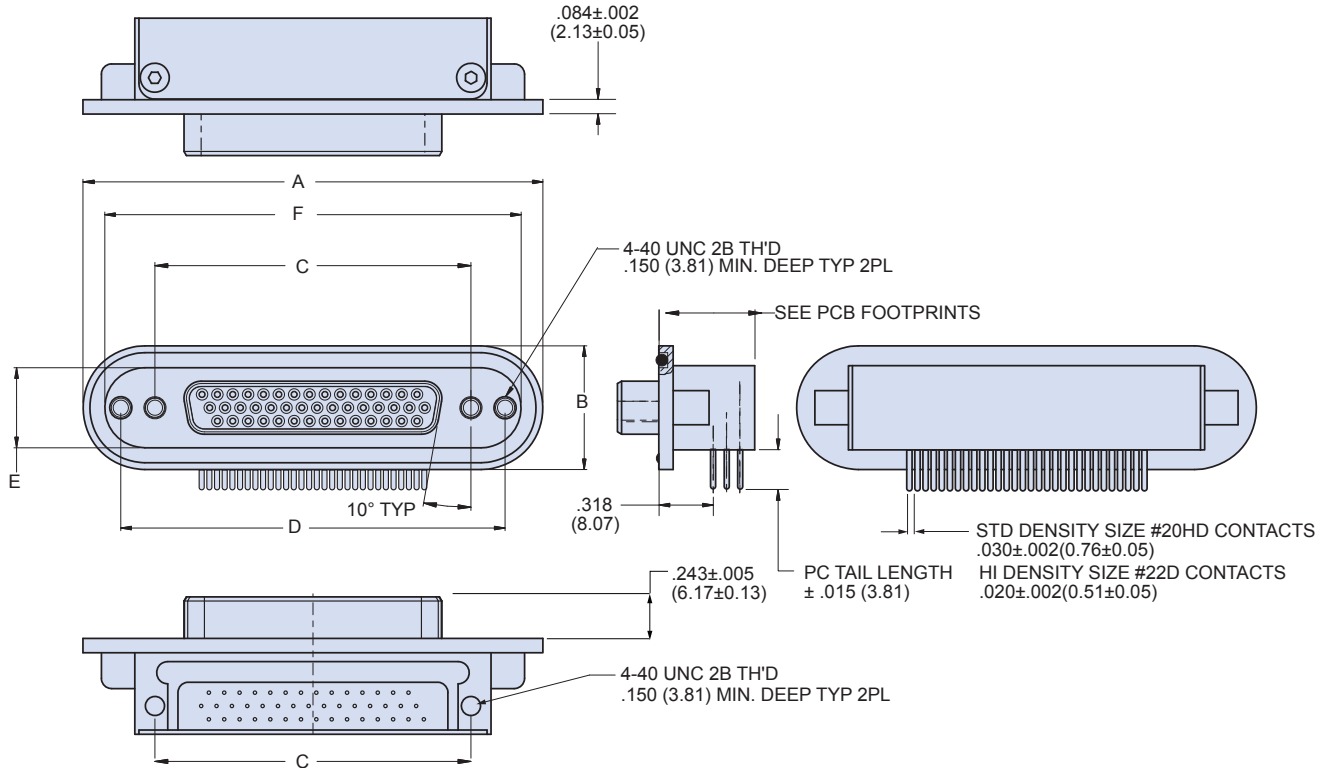
Mating Hardware	
<b>N</b> No Hardware #8-32 tapped hole	<b>P</b> #4-40 Female Jackposts
<b>B</b> Female Guide Bushings	<b>G</b> Male Guide Pins

Materials and Finishes	
Shell	Aluminum alloy
Contacts	Copper alloy, 50 micron. gold plated
Insulator	Thermoset epoxy
Potting Compound	Epoxy
O-ring	Fluorosilicone rubber
Hardware	300 series stainless steel

Specifications	
Current Rating	#22 5 AMPS, #20 7.5 AMPS
Test Voltage	1000 VAC RMS
Insulation Resistance	5000 megohms minimum
Operating Temperature	-65° C. to +200° C.
Ingress Protection	IP 67
Shock	300 g.
Vibration, Random	43.92 g.

## 280-025S right angle PC tail socket connectors with O-ring flange for rear panel mounting

### 280-025S DIMENSIONS



Shell Size	A		B		C Basic		D Basic		E		F	
	in ± .015	mm ± 0.38	in ± .015	mm ± 0.38	in.	mm	in	mm	in ± .015	mm ± 0.38	in ± .015	mm ± 0.38
1	1.865	47.37	.725	18.42	.984	24.99	1.424	36.17	.469	11.91	1.609	40.87
2	2.200	55.88	.725	18.42	1.312	33.32	1.752	44.50	.469	11.91	1.944	49.38
3	2.736	69.49	.725	18.42	1.852	47.04	2.292	58.22	.469	11.91	2.480	62.99
4	3.385	85.98	.725	18.42	2.500	63.50	2.940	74.68	.469	11.91	3.129	79.48
5	3.289	83.54	.837	21.26	2.406	61.11	2.846	72.29	.581	14.76	3.033	77.04
6	3.383	85.93	.899	22.83	2.500	63.50	2.940	74.68	.643	16.33	3.127	79.43

### NOTES

1. Contacts are factory-installed, non-removable and are potted with epoxy.
2. HiPer-D® connectors are available with a wide variety of materials and finishes. See [About Series 28 HiPer-D® Shell Plating Options](#) for additional choices. Glenair offers the industry's widest selection of plating and material choices with no setup charge, no minimum order quantity and no schedule impact.
3. For panel cutout dimensions, refer to [Panel Cutouts and Printed Circuit Board Footprints](#).
4. For printed circuit board mounting dimensions, refer to [Panel Cutouts and Printed Circuit Board Footprints](#).
5. HiPer-D® connectors meet the requirements of MIL-DTL-24308 and are intermateable with standard M24308-type D-Subminiature connectors with corresponding contact arrangements and type.
6. Additional electrical, mechanical and environmental specifications are listed in [HiPer-D® Product Specification](#).