

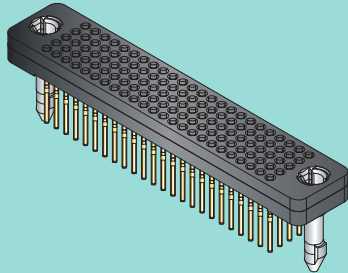
.062" PITCH COMPLIANT PIN

HD Stacker™

GSTBL single-sided mating connector Top-of-stack



MATES WITH GSTB AND GSTB (.095)



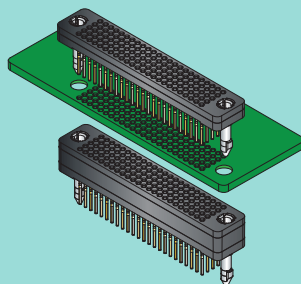
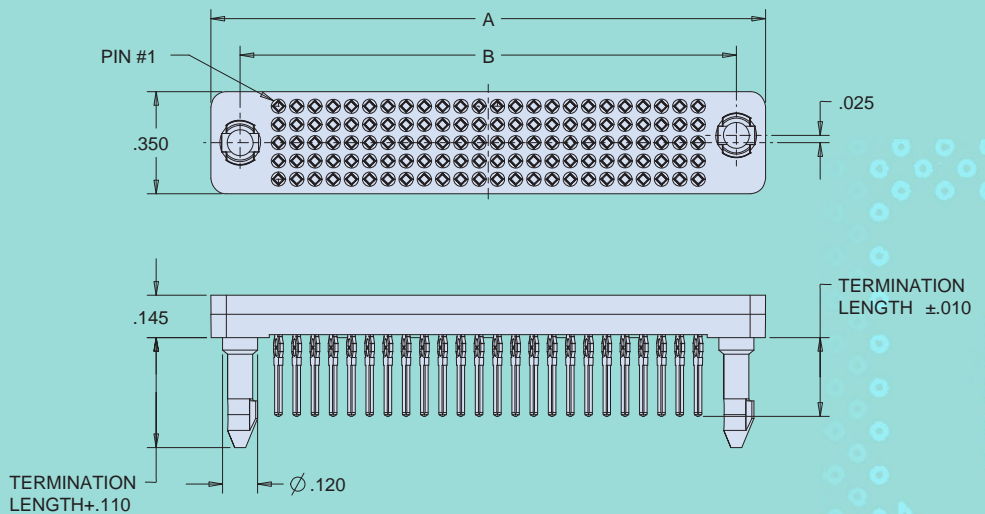
- Innovative Chevron Contact System (CCS)
- High-density layouts from 40 to 300 contacts
- Polarized insulators
- Keyed guide pin hardware for mis-mate protection

How to Order GSTBL HD Stacker					
Sample Part Number	GSTBL	-120	-.270	-G	1
Series	GSTBL = Low Profile Stacker				
Number of Contacts	40, 80, 120, 160, 200, 240, 300				
Pin Termination Length	.270, .300, .350, .400, .500, .600, .700, .800, .900, 1.000				
Hardware	G Keyed Guide Pin*				
Key Position	1*	2	3	4	

* Choose Hardware/Key Position -G1 for best availability / fastest delivery



All Glenair HD Stacker™ connectors are equipped with our innovative .062" pitch high-density Chevron Contact System (CCS). Special non-orthogonal socket tines enable both higher density layouts as well as improved signal integrity. The GSTBL is equipped with pin contacts with solder-free press-fit board mounting (no socket contacts).



The GSTBL is used in top-of-stack applications that only require a single-sided mating interface. Shown: GSTBL stack-mating with GSTB.

Number of Contacts	A		B	
	in	mm	in	mm
40	0.90	22.86	0.70	17.78
80	1.40	35.56	1.20	30.48
120	1.90	48.26	1.70	43.18
160	2.40	60.96	2.20	55.88
200	2.90	73.66	2.70	68.58
240	3.40	86.36	3.20	81.28
300	4.15	105.41	3.95	100.33