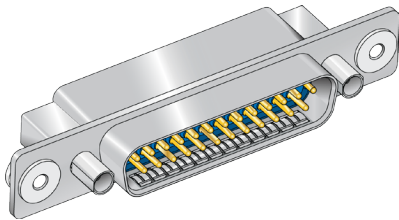


280-030P float mount pin connectors for blind mating, crimp termination



280-030P HiPer-D® pin connectors feature stainless steel float bushings for blind mating. Attach to panel with #4-40 screws (not supplied with connector). Crimp, rear-releaseable size #20 or #22 contacts. Intermateable with standard M24308-type D-Subminiature connectors, the HiPer-D® features a rugged machined aluminum shell, rubber seals and optional ground springs for improved resistance to electromagnetic interference. Threaded holes on the rear of the connector allow direct attachment of HiPer-D® EMI backshells. Contacts are packaged with connector. Terminate contacts with crimp tools purchased separately. Glass-reinforced thermoset epoxy insulators, copper alloy retention clips. Fluorosilicone face seal and rear grommet meet IP67 immersion requirement (mated). 1000 VAC, 5 Amps (#22) or 7.5 Amps (#20).

B

Ordering Information					
Sample Part Number	280-030P	6H104	MT	N	N
Basic Part Number	280-030P				
Shell Size-Contact Arrangement	See Shell Size - Contact Arrangements Table				
Shell Finish	ME = Electroless Nickel (RoHS) JF = Cadmium with Yellow Chromate Z1 = Passivated Stainless Steel (RoHS)		MT = Nickel-PTFE (RoHS) Z2 = Gold (RoHS)		
Ground Spring	G = Supplied with EMI Ground Spring		N = No Ground Spring		
Mating Hardware	N = No Hardware (supplied with #8-32 tapped hole) B = Female Guide Bushings		G = Male Guide Pins		

Shell Size - Contact Arrangements		
Shell Size-Contact Arr.	Contact Size and Qty	
	#20	#22
Standard Density		
1S9	9	
2S15	15	
3S25	25	
4S37	37	
5S50	50	
High Density		
1H15		15
2H26		26
3H44		44
4H62		62
5H78		78
6H104		104

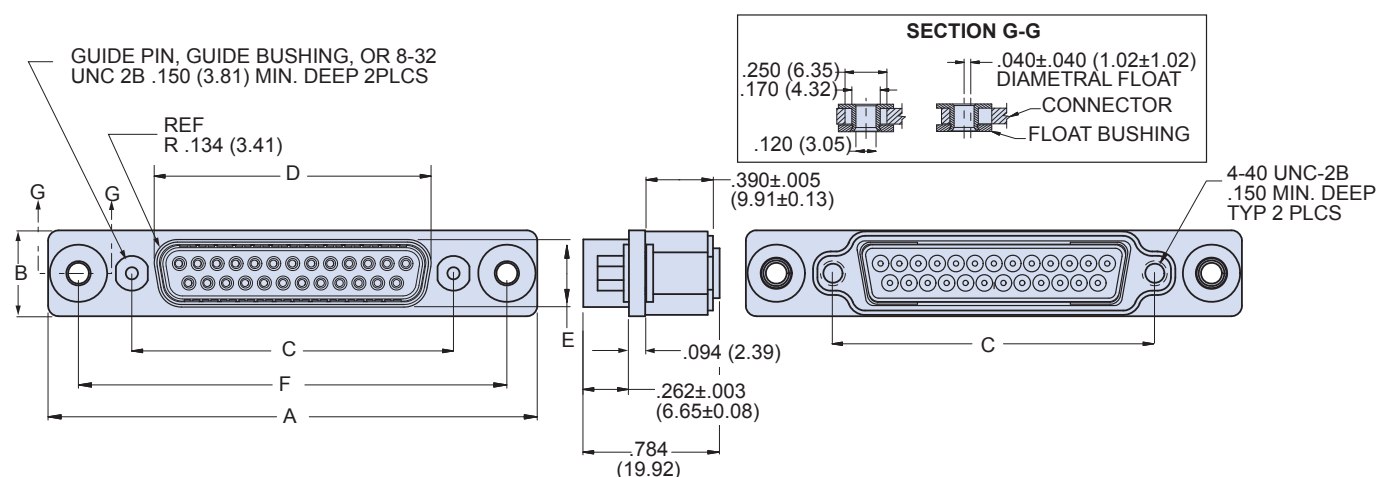
Mating Hardware
<p>N</p> <p>No Hardware #8-32 tapped hole</p>
<p>B</p> <p>Female Guide Bushings</p>
<p>G</p> <p>Male Guide Pins</p>

Materials and Finishes	
Shell	Aluminum alloy
Contacts	Copper alloy, 50 microin. gold plated
Insulators	Thermoset epoxy
Retention Clips	Copper alloy
Grommet, Seal, O-ring	Fluorosilicone rubber
Hardware	300 series stainless steel

Specifications	
Current Rating	#22 5 AMPS, #20 7.5 AMPS
Test Voltage	1000 VAC RMS
Insulation Resistance	5000 megohms minimum
Operating Temperature	-65° C. to +200° C.
Ingress Protection	IP 67
Shock	300 g.
Vibration, Random	43.92 g.

280-030P float mount pin connectors for blind mating, crimp termination

280-030P DIMENSIONS



Shell Size	A		B		C Basic		D		E		F Basic	
	in ±.015	mm ± 0.38	in ±.015	mm ± 0.38	in.	mm	in ±.005	mm ± 0.13	in ±.005	mm ± 0.13	in	mm
1	1.986	50.44	.494	12.55	.984	24.99	.726	18.44	.389	9.88	1.636	41.55
2	2.314	58.78	.494	12.55	1.312	33.32	1.054	26.77	.389	9.88	1.964	49.89
3	2.854	72.49	.494	12.55	1.852	47.04	1.594	40.49	.389	9.88	2.504	63.60
4	3.502	88.95	.494	12.55	2.500	63.50	2.242	56.95	.389	9.88	3.152	80.06
5	3.408	86.56	.600	15.24	2.406	61.11	2.139	54.33	.501	12.73	3.058	77.67
6	3.502	88.95	.662	16.81	2.500	63.50	2.272	57.71	.563	14.30	3.152	80.06

NOTES

- HiPer-D® connectors are available with a wide variety of materials and finishes. See [About Series 28 HiPer-D® Shell Plating Options](#) for additional choices. Glenair offers the industry's widest selection of plating and material choices with no setup charge, no minimum order quantity and no schedule impact.
- For panel cutout dimensions, refer to [Panel Cutouts and Printed Circuit Board Footprints](#).
- Connectors are supplied with crimp contacts per M39029. Contacts are not installed. Refer to [HiPer-D® Contacts and Crimp Tools](#) for contact part numbers, specifications, crimp tool information, and insertion/extraction tools.
- HiPer-D® connectors meet the requirements of MIL-DTL-24308 and are intermateable with standard M24308-type D-Subminiature connectors with corresponding contact arrangements and type.
- Additional electrical, mechanical and environmental specifications are listed in [HiPer-D® Product Specification](#).