



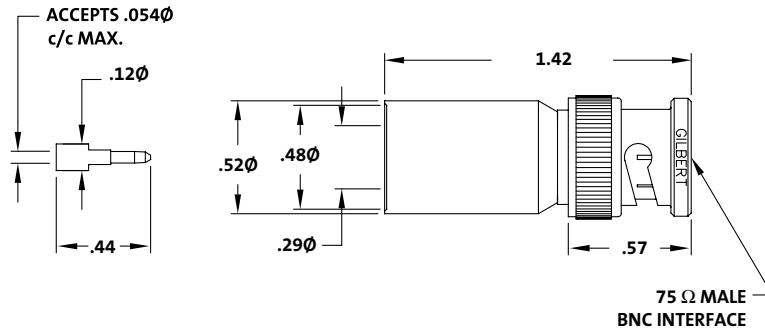
BNC Connectors and TNC Connectors

Unless noted, body and pin material is brass, contact is BeCu, insulator is PTFE, plating on components is BA.

BNC Crimp Tools

Crimp Tool Style	Crimp Tool Part Number	Hex Size Body	Hex Size Pin
A	G-CRT-775	.384 .324	.100 .068
B	G-CRT-480	.475 NA	.108 NA
C	G-CRT-211	.475 NA	.100 NA
D	G-CRT-263	.263 NA	.068 NA
E	G-CRT-255	.255 NA	.068 NA
F	G-CRT-792	.213 NA	.058sq. NA

BNC Connectors

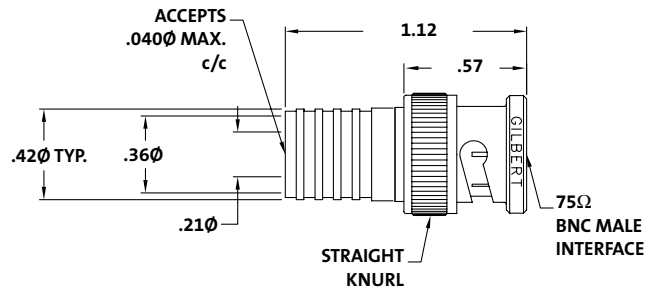


G-BNC-AHS TYPE

Catalog Number	c/c	Crimp Tool	Interface Impedance
G-BNC-6-AHS/312-L	.040	A	75
G-BNC-6-AHS/312-H	.028	A	75
G-BNC-6-AHS/322-L	.040	A	75
G-BNC-6-AHS/322-H	.028	A	75
G-BNC-6-AHS/342-L	.040	A	75
G-BNC-6-AHS/342-H	.028	A	75
G-BNC-6-AHS/357-L	.040	A	75
G-BNC-6-AHS/357-H	.028	A	75
G-BNC-6-AHP/312-L	.040	A	75
G-BNC-6-AHP/312-H	.028	A	75
G-BNC-6-AHP/330-L	.040	A	75
G-BNC-6-AHP/330-H	.028	A	75
G-BNC-8-AHS/460-H	.085	B	50
G-BNC-11-AHS/460-L	.064	C	75
G-BNC-11-AHS/460-H	.045	C	75
G-BNC-11-AHS/480-L	.064	C	75
G-BNC-11-AHS/480-H	.045	C	75
G-BNC-11-AHP/450	.064	C	75
G-BNC-58-AHS/250	.032	A	50
G-BNC-59-AHS/290-L	.032	A	75
G-BNC-59-AHS/290-H	.025	A	75
G-BNC-59-AHS/312-L	.032	A	75
G-BNC-59-AHS/312-H	.025	A	75
G-BNC-59-AHS/322-L	.032	A	75
G-BNC-59-AHS/322-H	.025	A	75
G-BNC-59-AHS/342-L	.032	A	75
G-BNC-59-AHS/342-H	.025	A	75
G-BNC-59-AHS/357-L	.032	A	75
G-BNC-59-AHS/357-H	.025	A	75
G-BNC-59-AHP/284-L	.032	A	75
G-BNC-59-AHP/284-H	.025	A	75
G-BNC-59-AHP/312-L	.032	A	75
G-BNC-59-AHP/312-H	.025	A	75
G-BNC-62-AHS/312	.025	A	75
G-BNC-142-AHS/223	.039	D	50
G-BNC-213-AHS/460	.089	B	50
G-BNC-214-AHS/480	.089	B	50
G-BNC-216-AHS/480	.089	B	50
G-BNC-223-AHS/290	.035	A	50

- Separate crimp-on pin
- Attached crimp ring
- Machined brass construction for reliable performance
- Bright Alloy plate on body
- Bright Acid Tin on pin
- Contact our Customer Care Team for availability of Gold on pin
- Connectors also available in TNC style

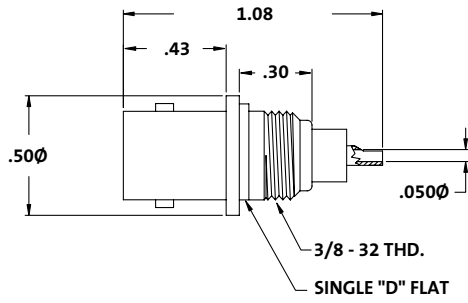
Catalog Number	c/c	Crimp Tool	Interface Impedance
GA-BNC-6-AHS/312-L	.040	A	75
GA-BNC-6-AHS/312-H	.028	A	75
GA-BNC-6-AHS/322-L	.040	A	75
GA-BNC-6-AHS/322-H	.028	A	75
GA-BNC-6-AHS/342-L	.040	A	75
GA-BNC-6-AHS/342-H	.028	A	75
GA-BNC-6-AHS/357-L	.040	A	75
GA-BNC-6-AHS/357-H	.028	A	75
GA-BNC-6-AHP/312	.040	A	75
GA-BNC-6-AHP/330	.040	A	75
GA-BNC-59-AHS/290-L	.032	A	75
GA-BNC-59-AHS/290-H	.025	A	75
GA-BNC-59-AHS/312-L	.032	A	75
GA-BNC-59-AHS/312-H	.025	A	75
GA-BNC-59-AHS/322-L	.032	A	75
GA-BNC-59-AHS/322-H	.025	A	75
GA-BNC-59-AHS/342-L	.032	A	75
GA-BNC-59-AHS/342-H	.025	A	75
GA-BNC-59-AHS/357-L	.032	A	75
GA-BNC-59-AHS/357-H	.025	A	75
GA-BNC-59-AHP/284	.025	A	75
GA-BNC-59-AHP/312	.025	A	75
GA-BNC-62-AHP/312	.025	A	75
GA-BNC-US-59-HEC	.025	A	75



GA-BNC-AHS TYPE

- Integral pin-single crimp style connector
- Attached crimp ring
- Machined Brass construction for reliable performance
- Beryllium Copper captive contact
- Bright Alloy plate on body
- Bright Acid Tin on contact. Contact our Customer Care Team for availability of Gold
- Connectors also available in TNC style

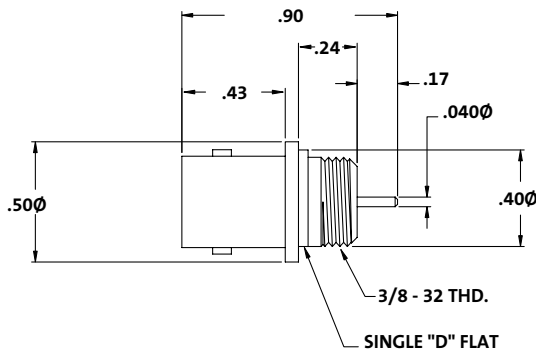
BNC Connectors



Catalog Number

NS-4721-1

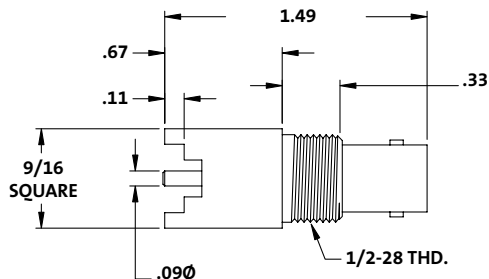
75 Ω BNC Panel Mount
w/ Solder Cup



Catalog Number

NS-4721-3

75 Ω BNC Panel Mount
w/ Solder Post



Catalog Number

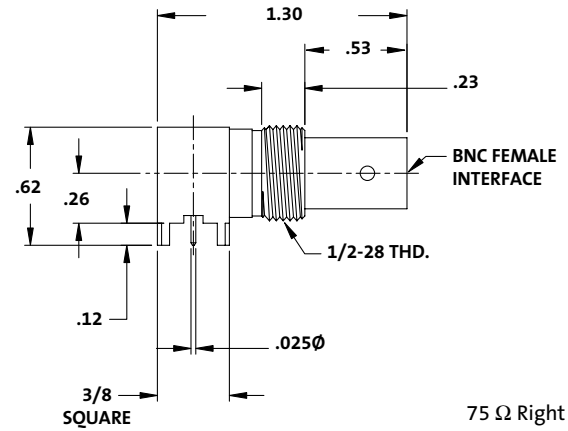
NS-6965-1

75 Ω BNC PCB Mount

BNC Connectors

Catalog Number

NS-9710-7

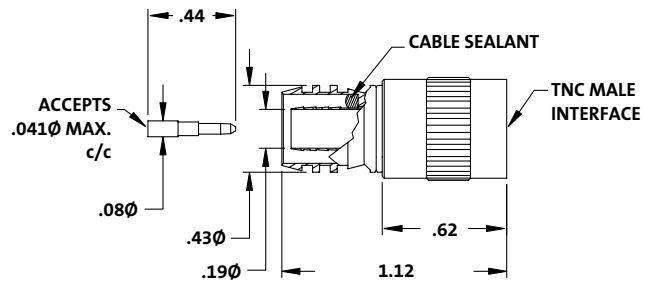


75 Ω Right Angle
BNC PCB Mount

TNC Connectors

Catalog Number

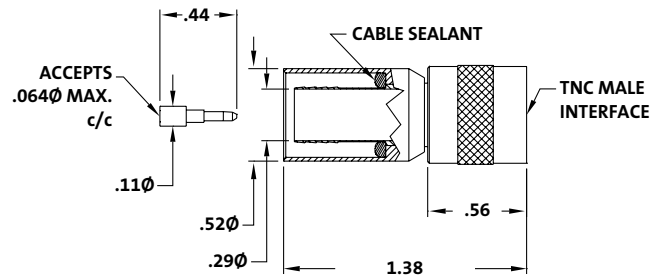
G-TNCW-6-AHS/USA-L



75 Ω Universal TNC Male

Catalog Number

NS-7100-1



75 Ω TNC Male for Belden 9292