

SPECIFICATIONS

USB 3.0 A TYPE Connector

Mechanical

Mating Force: initial 35N (7.87Lb) maximum.

Unmating Force: initial 10N (2.25Lb) Minimum.

Durability: 5000 cycles

USB3.0 A Series

Up-Right T/H

9 Pos.

Electrical

Voltage Rating: 30 V rms maximum.

Current Rating: 1.8A.

Low Level Contact Resistance: Initial:30 mΩ max. for Power and Ground (GND) contacts and 50 mΩ max. for all other contacts .

After test: Change from initial value:10mΩ maximum .

Dielectric Withstanding Voltage: 100V AC (Rms.)

Insulation Resistance: Mated plug 100MΩ min. at 100V DC.

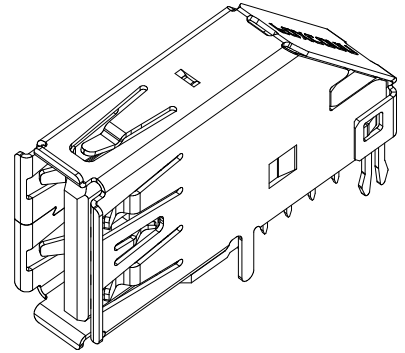
Physical

Housing and I/M: Thermoplastic, UL 94V-0, blue color.

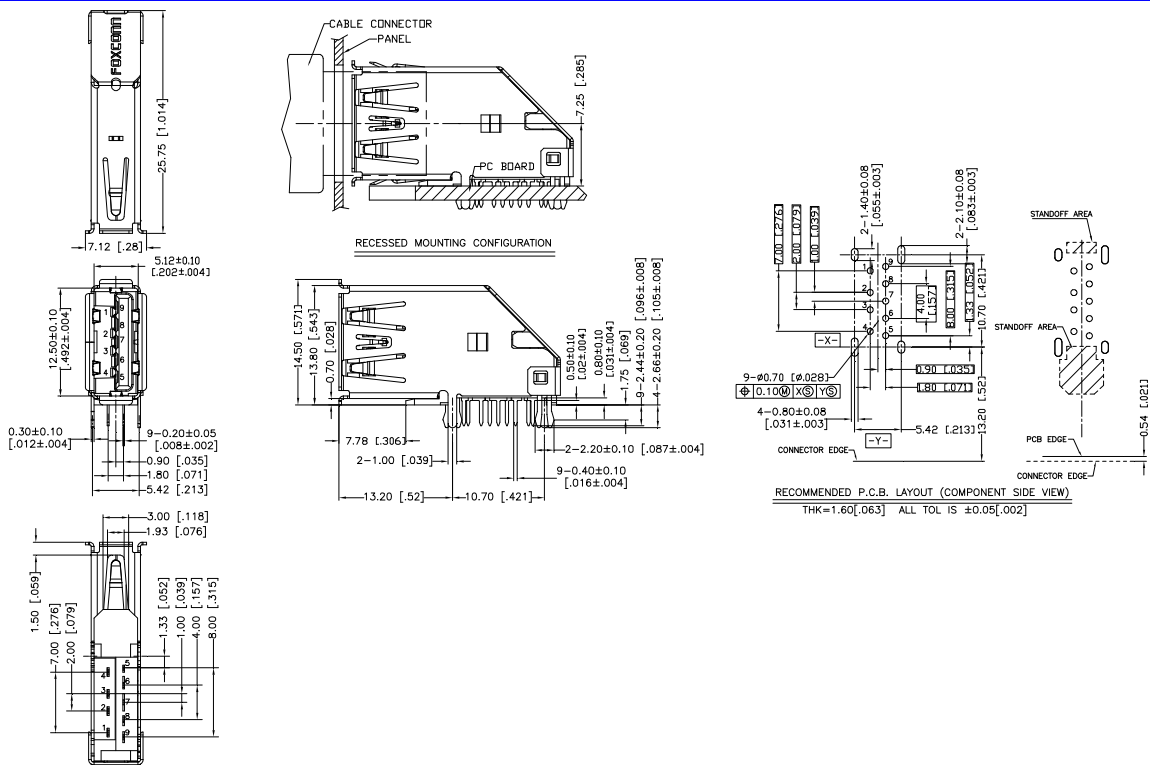
Contact and Shell: Copper alloy& stainless steel .

Plating: See "ORDERING INFORMATION"

Operating Temperature: -55°C to +85°C



DRAWING



ORDERING INFORMATION

PRODUCT NO.: UEA 3 1 1 9 C - 4EB1 - 4 H

Series Prefix	UEA: USB 3.0 A TYPE	Termination Type	3: Up Right Dip	Product Type	1: Receptacle	No. of Contact Position	1: 9 Pos.	Profile Height	9: Special	Lead Free Code	H: Halogen Free	Package Code	4: Soft Tray Package	Extension Code	C: 30u" Palladium/Nickel + Gold Flash
---------------	---------------------	------------------	-----------------	--------------	---------------	-------------------------	-----------	----------------	------------	----------------	-----------------	--------------	----------------------	----------------	---------------------------------------