

SPECIFICATIONS

Mechanical

Insertion Force: 30N max.
Withdrawal Force: 3~20N.
Durability: 30 Cycles.
Contact Retention Force: 20gf Min

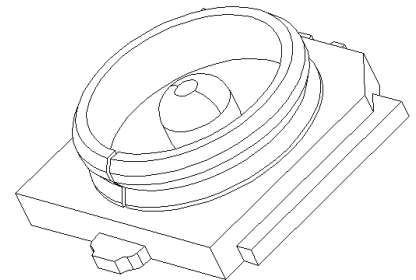
Electrical

Voltage Rating: 60V.
Current Rating: 1.0A per pin min.
Contact Resistance: 20 mΩ max.
Dielectric Withstanding Voltage: 200V AC.
Insulation Resistance: 500MΩ min.

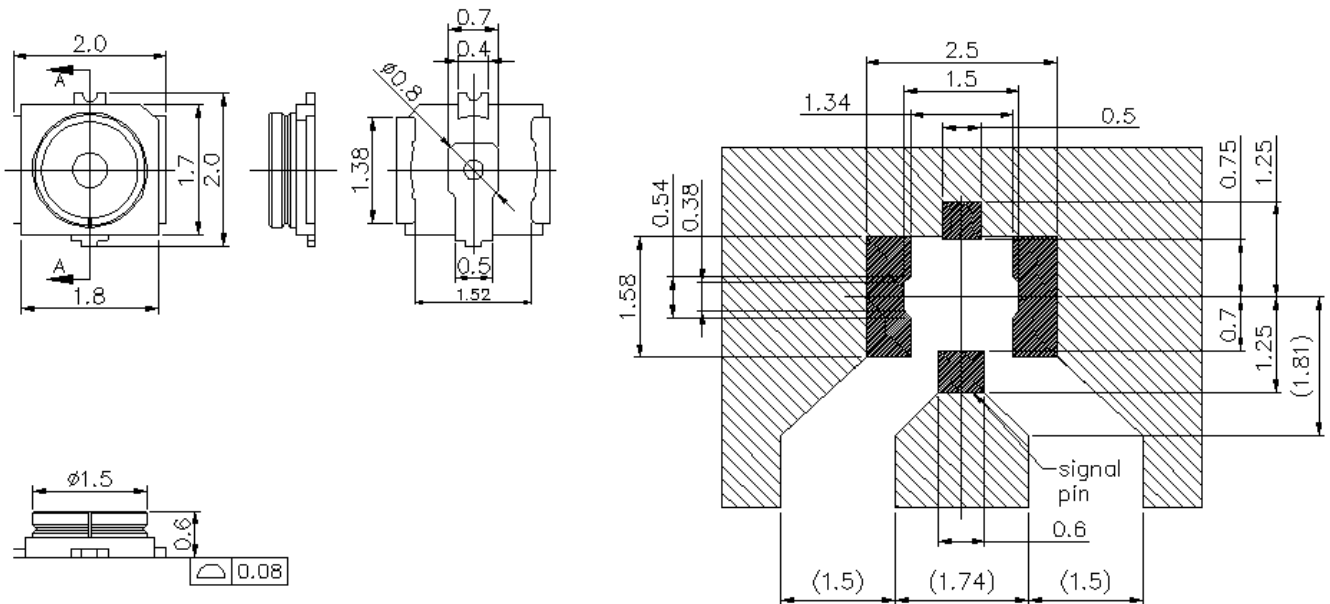
Physical

Housing: Thermoplastic, UL 94V-0, Color Black.
Contact: Copper alloy
Plating: See "ORDERING INFORMATION"
Operating Temperature: -40°C to +105°C

**KK12 Series
RF Connector**



DRAWING



ORDERING INFORMATION

