

SPECIFICATIONS

POWER Connector

Mechanical

Contact Retention Force: 0.45Kg min. per contact
Durability: 100 Cycles

E1230 Series

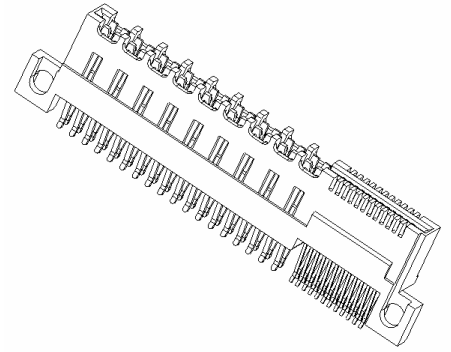
STRADDLE MOUNT Type
60 Pos.
 (24signal&36power)

Electrical

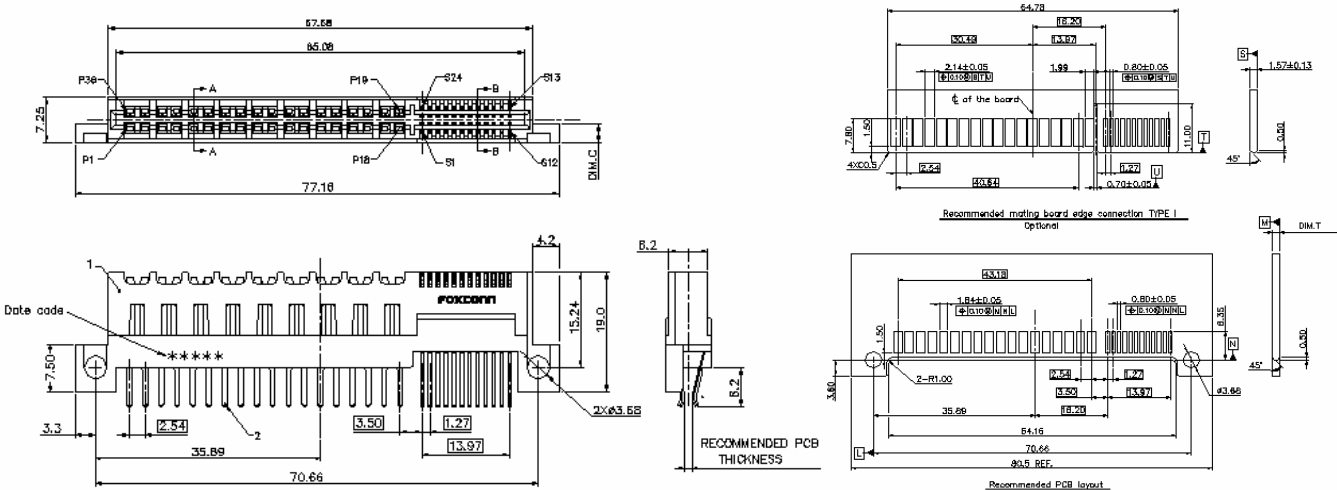
Insulation Resistance: 1000MΩ min. at 500V DC
Dielectric Withstanding Voltage: Apply 500VAC for 1 minute between adjacent terminals of an unmated connector. No breakdown.
Low Level Contact Resistance:
 SIGNAL PIN 30mΩ max. initial, 50 mΩ max after test .
 POWER PIN 10mΩ max. initial, 20 mΩ max after test .

Physical

Housing: Thermoplastic, UL 94V-0 rated in Black Color
Contact: Copper alloy
Operating Temperature: -55 °C to +105 °C



DRAWING



ORDERING INFORMATION

PROD. NO. E1 2 30 * * - 8WAS - JF

SERIES PREFIX: E1
 EDGE CARD CONN. 2
 TERMINATION TYPE: 30
 NO. OF POS.: *
 TAIL GAP: *
 9: FOR 1.57mm THICKNESS PCB
 3: FOR 2.54mm THICKNESS PCB

PLATING TYPE: JF: LEAD FREE
 EXTENSION CODE: 8WAS
 GOLD PLATING: 3: 30u" GOLD, 7: 15u" GOLD

E12303*-8WAS-JF	2.54±0.13	2.38
E12309*-8WAS-JF	1.57±0.13	2.88
P/N	DIM.T	DIM.C