

SPECIFICATIONS

Mechanical

Contact Retention Force: 0.30Kg (0.66Lbs) min. per pin
Durability: 25 Cycles
Insertion Force(Conn. Into PCB): 7.6Kg (16.76Lbs)
Unmating Force(Per Contact pair): 14g min.

Electrical

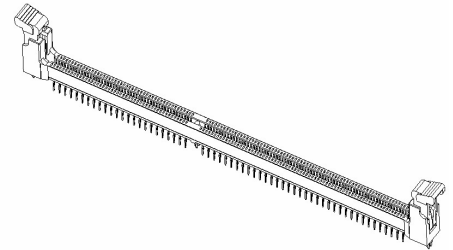
Current Rating: 0.5 Amps max.
Insulation Resistance: 1MΩ min. at 500V DC
Dielectric Withstanding Voltage: 500V DC at Sea Level
Low Level Contact Resistance: 30mΩ max. initial, Change not greater than 20mΩ Max.

Physical

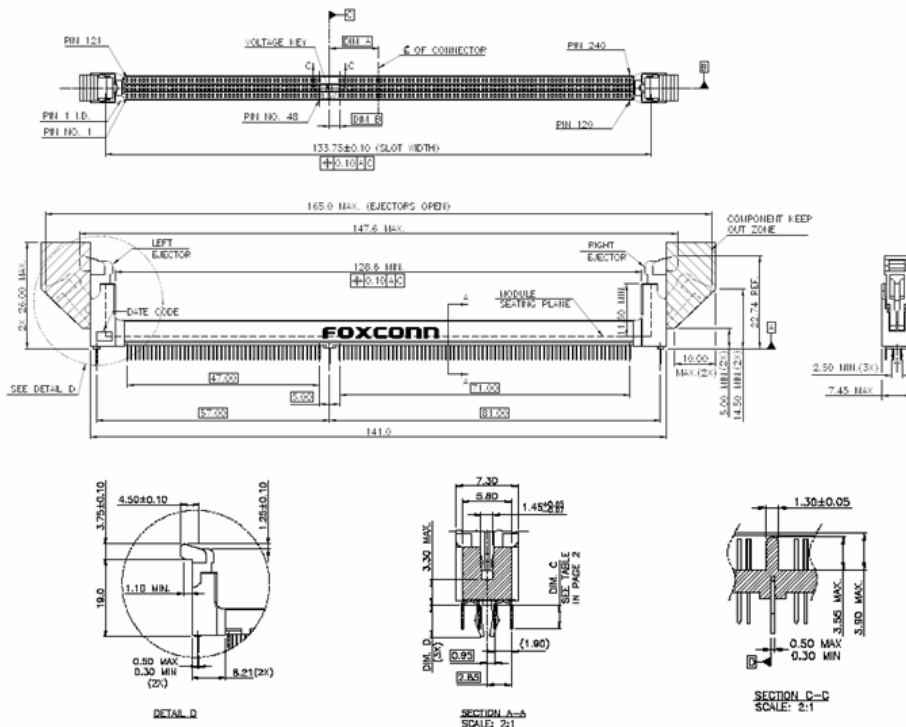
Housing: Thermoplastic, UL 94V-0 rated in Black Color
Contact: Copper alloy
Ejector: Thermoplastic, UL 94V-0 rated in White Color
Metal Hold Down: Copper alloy
Operating Temperature: 0°C to +85°C

DDR3 Connector

ATH40 Series
Vertical Type
1.00mm [.039"] Pitch
240 Pos.



DRAWING



ORDERING INFORMATION

PRODUCT NO. : A T H * * * - N 8 * E - 4 F

MEMORY SOCKET

DDR III DIMM

VERTICAL 1.00 MM PITCH

QTY OF CONTACTS:
40=240 POSITION

TAIL LENGTH:
0=3.18 MM (.125")
1=2.67 MM (.105")

PLATING TYPE
4F=LEAD FREE

COLOR CODE
 B : BLACK HOUSING WITH WHITE EJECTOR
 D : BLACK HOUSING WITH BLACK EJECTOR
 L : BLUE HOUSING WITH WHITE EJECTOR
 V : WHITE HOUSING WITH WHITE EJECTOR
 Y : YELLOW HOUSING WITH WHITE EJECTOR
 2 : YELLOW HOUSING WITH YELLOW EJECTOR
 3 : RED HOUSING WITH RED EJECTOR
 G : GREEN HOUSING WITH WHITE EJECTOR
 H : RED HOUSING WITH WHITE EJECTOR
 E : ORANGE HOUSING WITH WHITE EJECTOR
 K : BLUE HOUSING WITH BLUE EJECTOR

CONTACT AREA GOLD PLATING
 1=GOLD FLASH
 7=15 u"
 3=30 u"

PART NUMBER	NO. OF POSITION	VOLTAGE RATING	KEY POSITION	DIM. A	DIM. B	DIM. C CONTACT TAIL	DIM. D METAL BOARD LOCK
ATH4011-N8*E-4F	240	1.5V	CENTER OFFSET	12.00	2.50	2.67±0.25 FOR 1.57 (.062") PCB THICKNESS	3.78±0.25 FOR 1.57 (.062") PCB THICKNESS
ATH4001-N8*E-4F	240	1.5V	CENTER OFFSET	12.00	2.50	3.18±0.25 FOR 2.36 (.093") PCB THICKNESS	4.57±0.25 FOR 2.36 (.093") PCB THICKNESS