

**SPECIFICATIONS**

**RF Connector**

**Mechanical**

**Insertion Force:** 40N max.  
**Withdrawal Force:** 3~25N.  
**Durability:** 30 Cycles.  
**Contact Retention Force:** 0.15Kgf Min

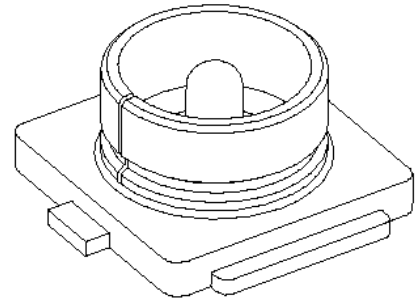
**KK23 Series**  
**RF Connector**

**Electrical**

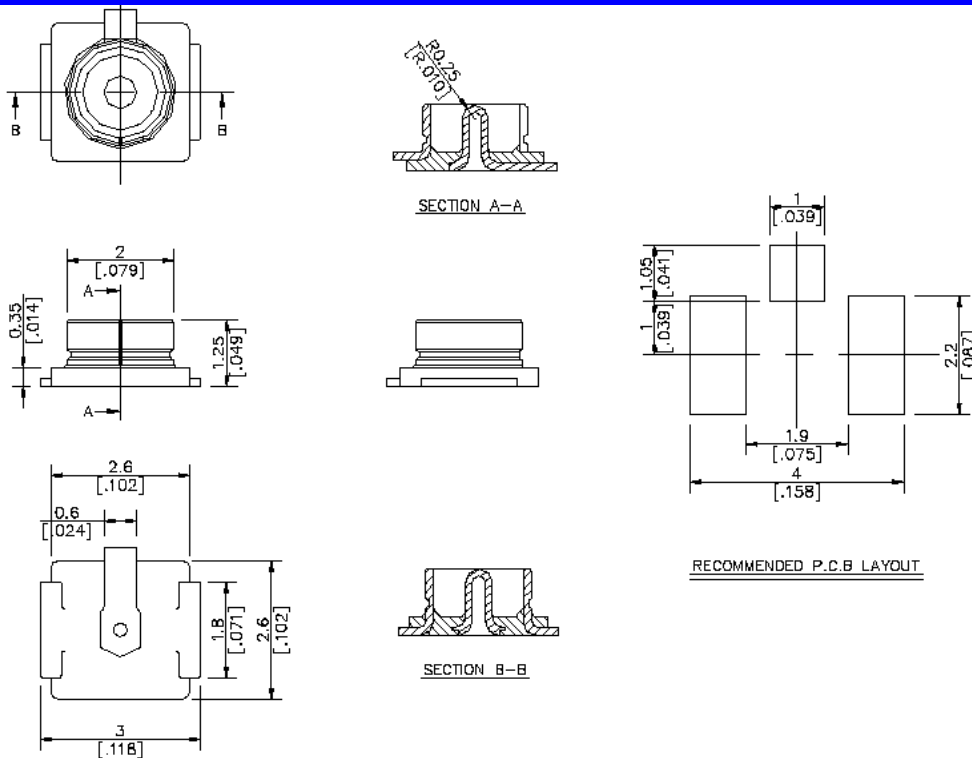
**Voltage Rating:** 60V.  
**Current Rating:** 1.0A per pin min.  
**Contact Resistance:** 20 mΩ max.  
**Dielectric Withstanding Voltage:** 200V AC.  
**Insulation Resistance:** 500MΩ min.

**Physical**

**Housing:** Thermoplastic, UL 94V-0, Color Ivory.  
**Contact:** Copper alloy  
**Plating:** See "ORDERING INFORMATION"  
**Operating Temperature:** -40°C to +105°C



**DRAWING**



**ORDERING INFORMATION**

