

SPECIFICATIONS

Mechanical

Plug Mating Force: 4.50kgf (9.92Lb) max
Plug Unmating Force: 1.00~4.00kgf (2.21~8.82Lb)
Durability: 10000 Cycles

Electrical

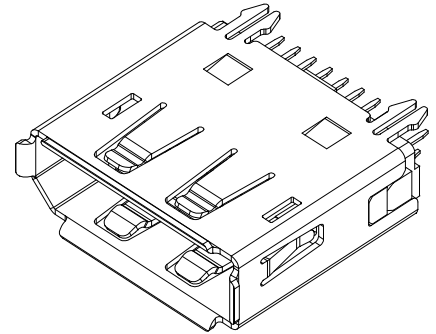
Current Rating: 0.50A min
Contact Resistance: 30mΩ max. (Initial)
 60mΩ max. (After life test)
Dielectric Withstanding Voltage: 500V AC RMS
Insulation Resistance: Unmated plug: 100MΩ min at 500V DC
 Mated plug: 10MΩ min at 500V DC

Physical

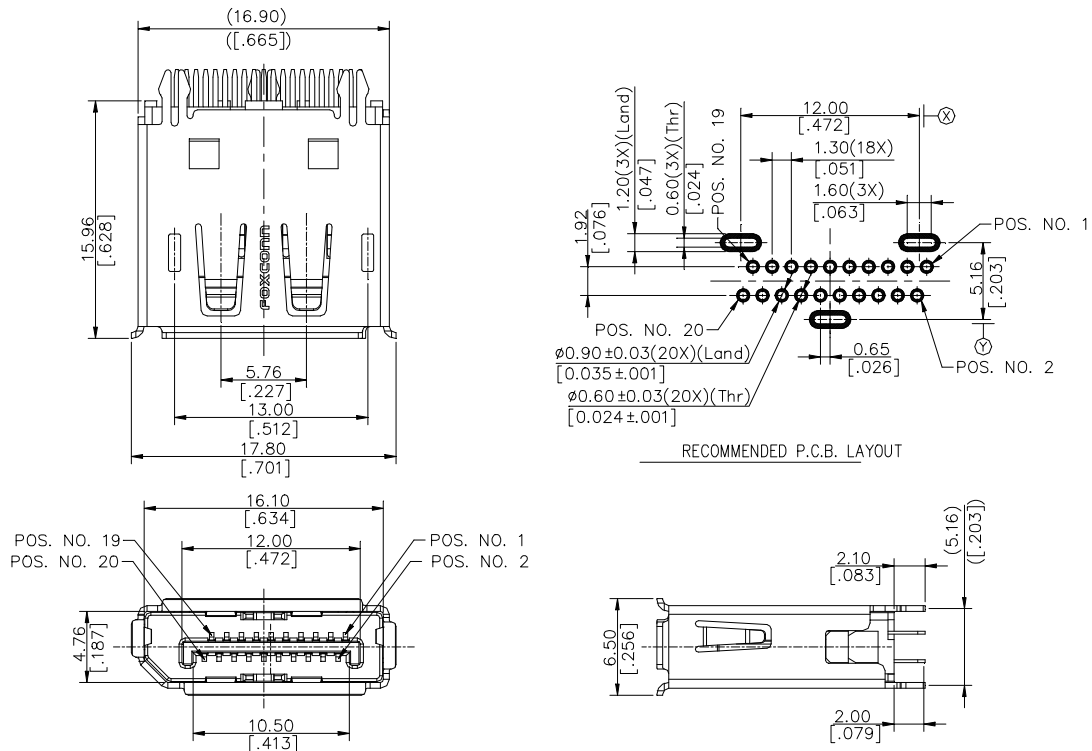
Housing: Thermoplastic, UL 94V-0 rated
Contact: Copper alloy
Plating: See "ORDERING INFORMATION"
Operating Temperature: -40°C to +85°C

DisplayPort Connector

3V Series
DisplayPort, Vertical,
T/H Type



DRAWING



ORDERING INFORMATION

PRODUCT NO.: 3VD0120*-H7R0-4H

