

SPECIFICATIONS

USB 3.0 A TYPE Connector

Mechanical

Mating Force: initial 3.5kgf max.
Unmating Force: initial 1.0kgf min.
Durability: 5000 cycles.

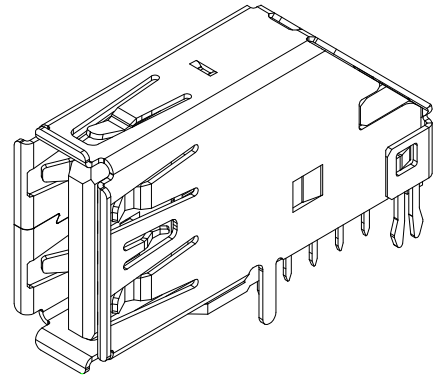
USB3.0 Series
A Type, T/H, 9 Pos.

Electrical

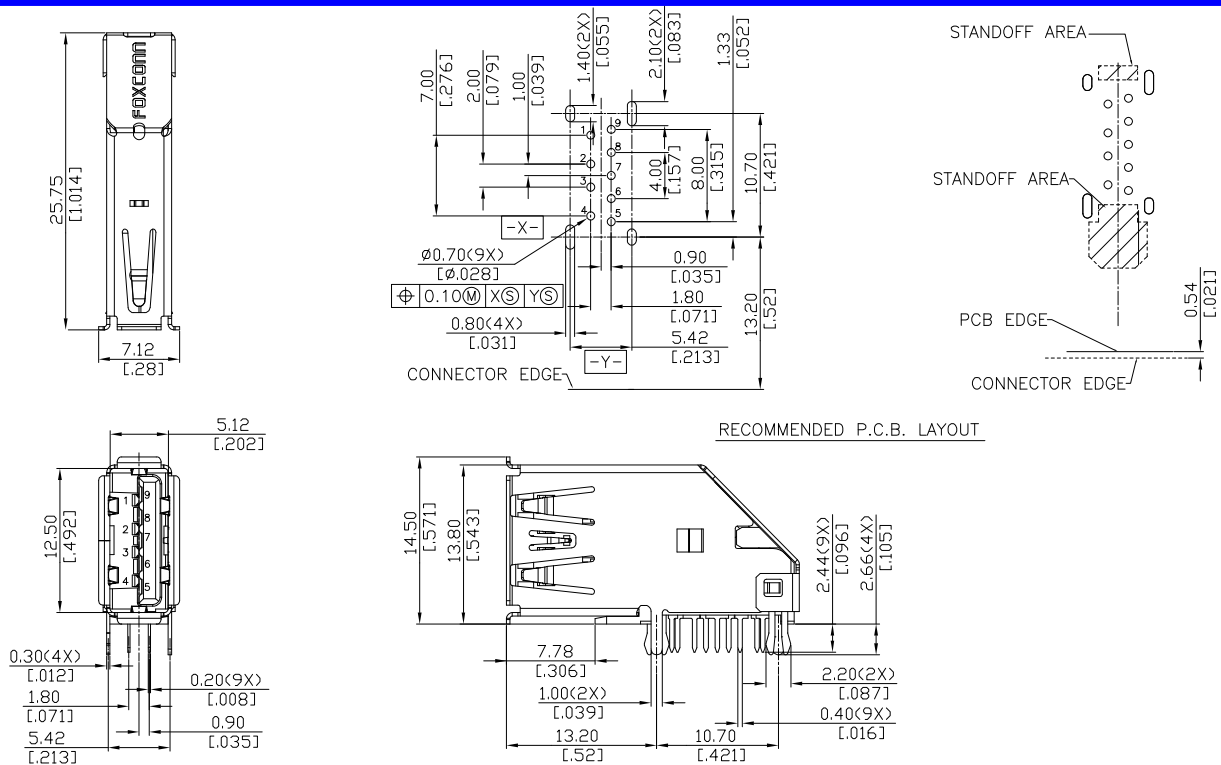
Voltage Rating: 30 V rms maximum.
Low Level Contact Resistance: 30 mΩ maximum initial for the Power (VBUS) and Ground (GND) contacts and 50 mΩ maximum for all other contacts.
Dielectric Withstanding Voltage: 100V AC (Rms.).
Insulation Resistance: 100MΩ min. at 100V DC.

Physical

Housing: Thermoplastic, UL 94V-0 rated in Black color
Contact and Shell: Copper alloy & stainless steel
Plating: See "ORDERING INFORMATION"
Operating Temperature: -20°C to +85°C



DRAWING



ORDERING INFORMATION

PRODUCT NO.: UEA 3 1 1 9 C - 4FB1 - 4 F

