

**SPECIFICATIONS**

**Mechanical**

Contact Retention Force: 3.5N min.

**Electrical**

Voltage Rating: 30V

Current Rating: 1A

Contact Resistance: 40mΩ max.

Dielectrical Withstanding Voltage: 500 VAC at sea level.

Insulation Resistance: 1000MΩ min.

**Physical**

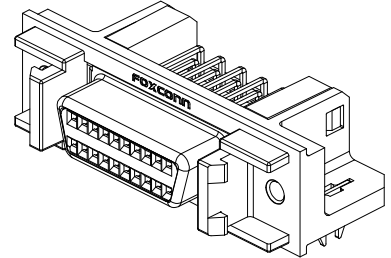
Housing: LCP, UL 94V-0 Black

Contact: Phosphor Bronze

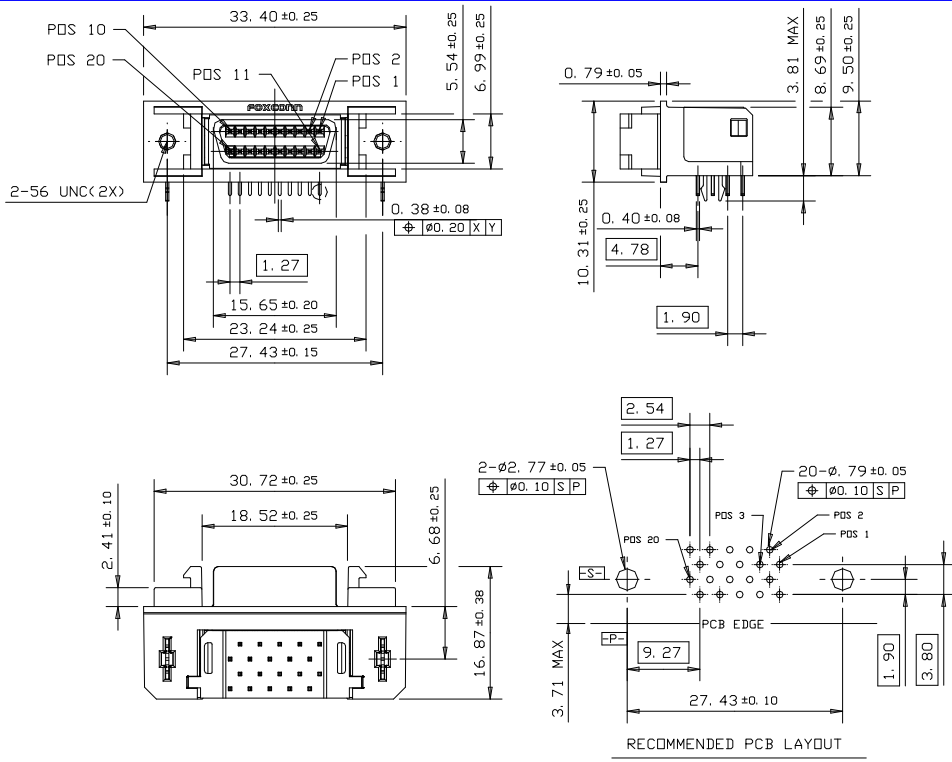
Plating: See "ORDERING INFORMATION"

**SCSI CONNECTOR**

SCSI Series  
R/A Female Solder Type  
1.27 mm Pitch



**DRAWING**



**ORDERING INFORMATION**

PRODUCT NO: QA 1 1 10 3 - BH61 - A F

- SCSI CONN.
- 1=RIGHT ANGLE
- 1=FEMALE
- 10=20 POS.
- 3=CONTACT GOLD PLATING
- BH61
- A=TUBE
- F=LEAD FREE
- LEAD FREE CODE
- F: LEAD FREE
- PACKAGE CODE
- EXTENTION CODE
- CONTACT GOLD PLATING
- 3=30u" GOLD PLATING