

**SPECIFICATIONS**

**Mechanical**

**Mating Force:** 4.50kg (9.92Lb) max.  
**Unmating Force:** 1.00~4.00kg (2.20~8.82Lb)  
**Durability:** 100 Cycles

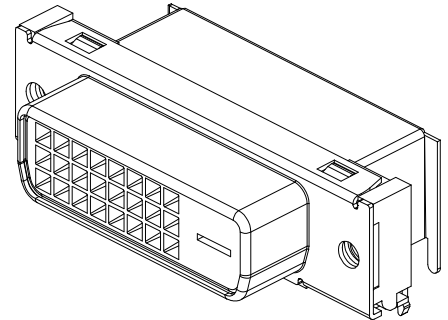
**Electrical**

**Voltage Rating:** 40V (RMS)  
**Current Rating:** 1.50A  
**Contact Resistance:** 30mΩ max.  
**Dielectric Withstanding Voltage:** 500V AC/1min min.  
**Insulation Resistance:** 1000MΩ min.

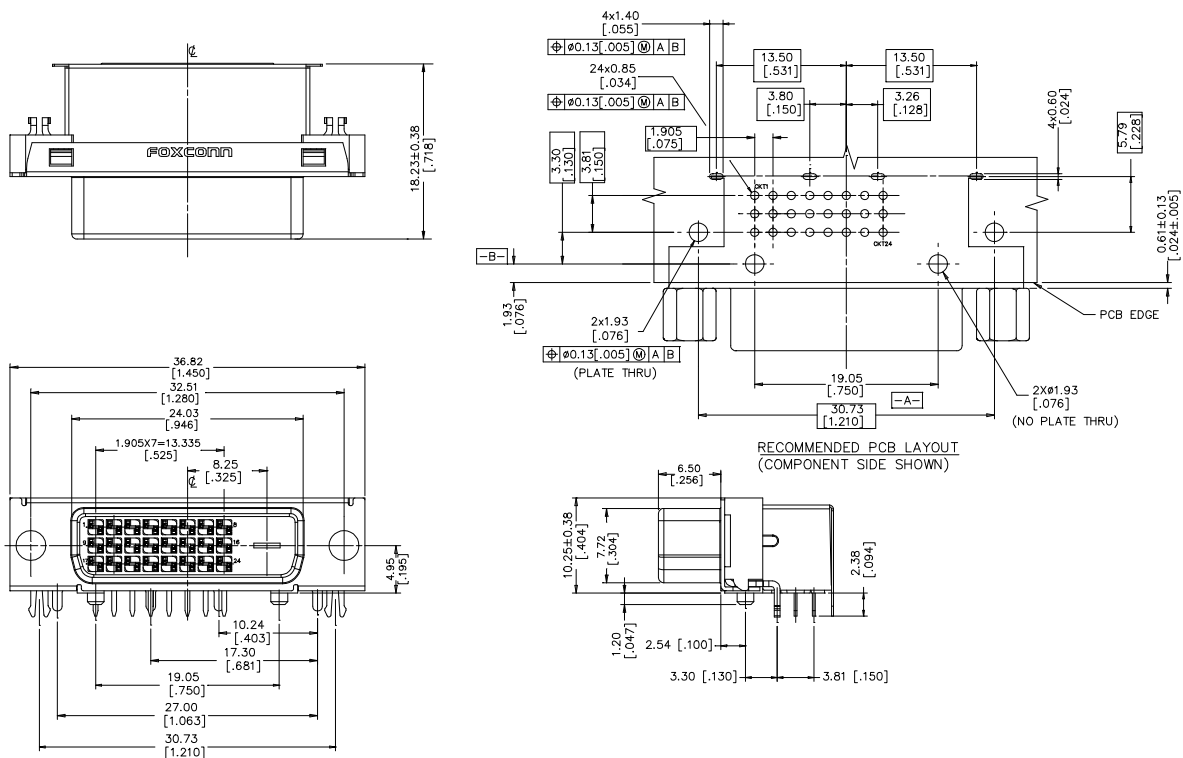
**Physical**

**Housing:** Thermoplastic, UL 94V-0 rated in Ivory Color  
**Contact:** Copper alloy  
**Plating:** See "ORDERING INFORMATION"  
**Operating Temperature:** -20°C to +85°C  
**Resistance to Soldering Heat:** 260°C/5sec  
**Recommended Thickness of P.C.B.:** 1.57[.062]

**QH Series**  
**Normal Type, T/H**  
**1.905mm [.075"] Pitch**  
**24 Pin**



**DRAWING**



**ORDERING INFORMATION**

**PRODUCT NO.:** QH 1 1 12 \* - DB54 - 4 F

