

**SPECIFICATIONS**

**Mechanical**

**Plug Mating Force:** 3.00kg (6.61Lb) max.  
**Plug Unmating Force:** 0.40~3.00kg (0.88~6.61Lb)  
**Contact Retention Force:** 0.50kg (1.10Lb) min.  
**Durability:** 1500 Cycles

**Electrical**

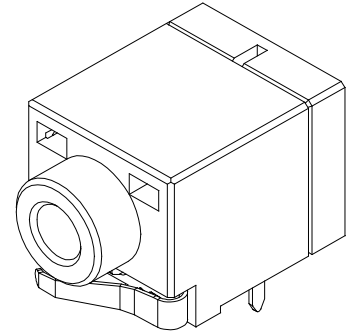
**Current Rating:** 1.00A  
**Contact Resistance:** 50mW max. (Initial)  
 100mW max. (After life test)  
**Dielectric Withstanding Voltage:** 500V AC/1min min.  
**Insulation Resistance:** 100MW min.

**Physical**

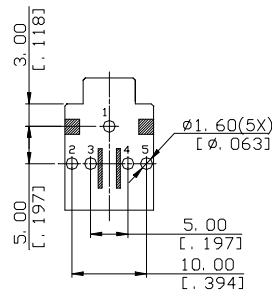
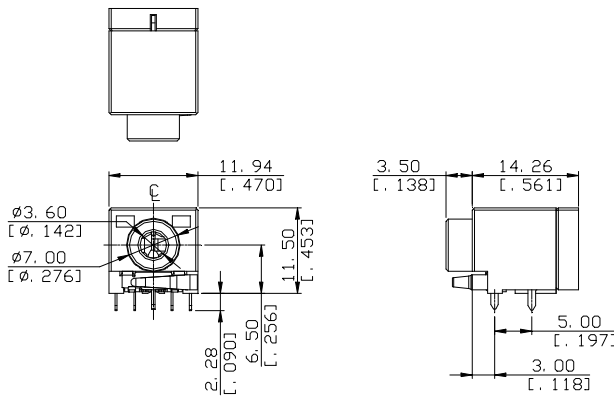
**Housing:** Thermoplastic, UL 94V-0 rated  
**Contact:** Copper alloy  
**Plating:** See "ORDERING INFORMATION"  
**Operating Temperature:** -25 to +85  
**Recommended Thickness of PCB:** 1.60[.063]

**Audio Jack Connector**

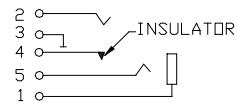
**JA Series**  
**Single HD Jack, R/A,**  
**T/H Type**  
 $\varnothing$ 3.5mm [.138"]  
**5 Pos.**



**DRAWING**



RECOMMENDED PCB LAYOUT  
TOP VIEW



**ORDERING INFORMATION**

**PRODUCT NO.: JA 1 3 3 3 L - D14B - 4F**

