

**SPECIFICATIONS**

**Mechanical**

**Contact Retention Force:** 0.21Kg(0.44Lb)min.  
**Durability:** 100 Cycles

**Electrical**

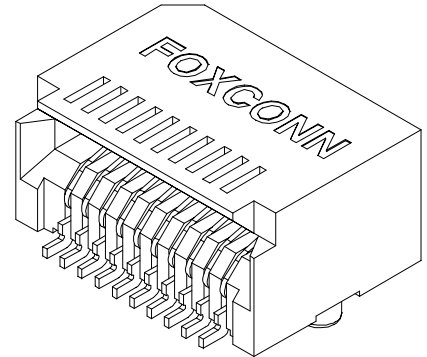
**Voltage Rating:** 120V  
**Current Rating:** 0.5A  
**Contact Resistance:** 35mΩ max.  
**Dielectrical Withstanding Voltage:** 300V  
**Insulation Resistance:** 500MΩ min.

**Physical**

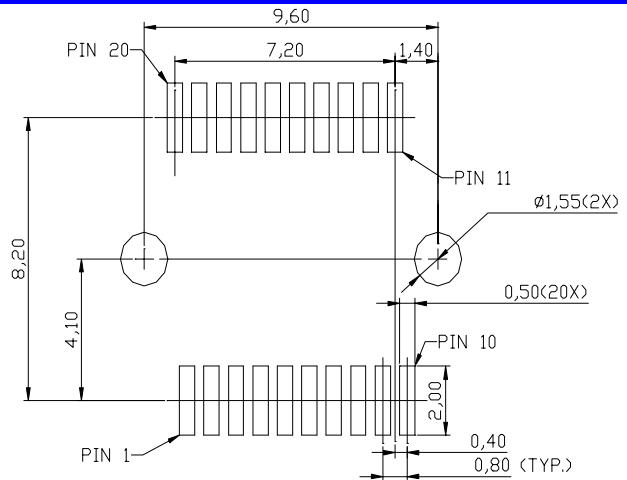
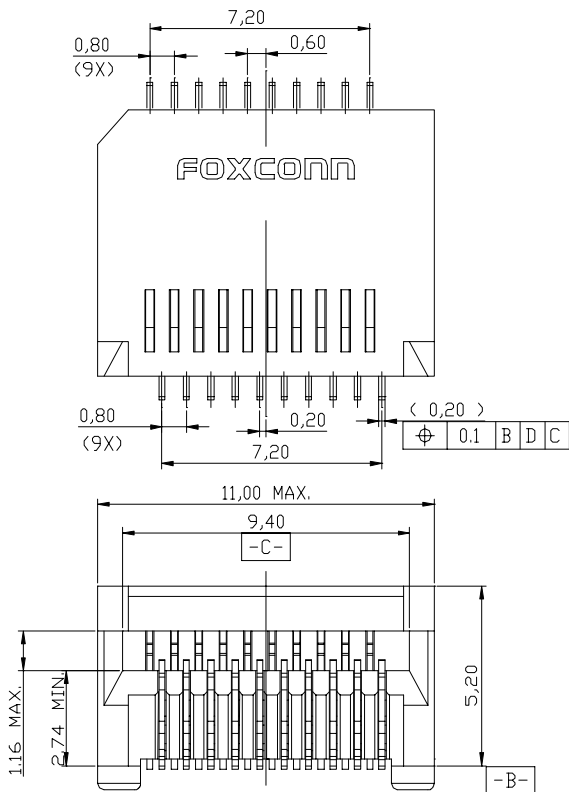
**Housing:** LCP, UL 94-0, Black  
**Contact:** Phosphor Bronze  
**Plating:** See "ORDERING INFORMATION"  
**Operating Temperature:** -55 to +85

**SFP CONNECTOR**

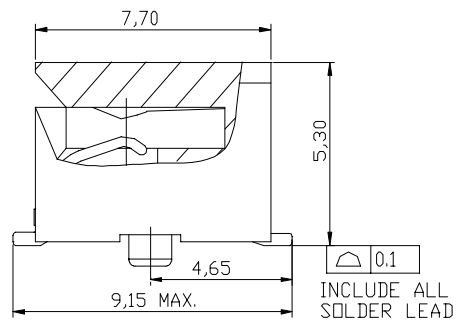
**3S Series,  
 SFP(Small Form-Factor  
 Pluggable) plus type, 1x1,  
 0.8mm pitch**



**DRAWING**



**RECOMMENDED PCB LAYOUT**



**ORDERING INFORMATION**

**PRODUCT NO:**

**3S1020C 3 - 011 - \* \***

