

USB Connector

SPECIFICATIONS

Mechanical

Contact Retention Force: 1.0kg min.

Electrical

Voltage Rating: 100V

Current Rating: 1.0A

Contact Resistance: 30mΩ max.

Dielectric Withstanding Voltage: 750V AC/1 min.

Insulation Resistance: 1000MΩ

Physical

Housing: Thermoplastic, UL 94V-0 rated in Natural Color

Contact: Copper alloy

Plating: See "ORDERING INFORMATION"

Solder Pad: Copper alloy

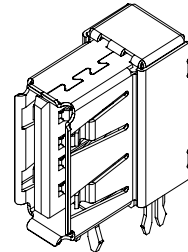
Operating Temperature: -55 to +85

UB9 Series

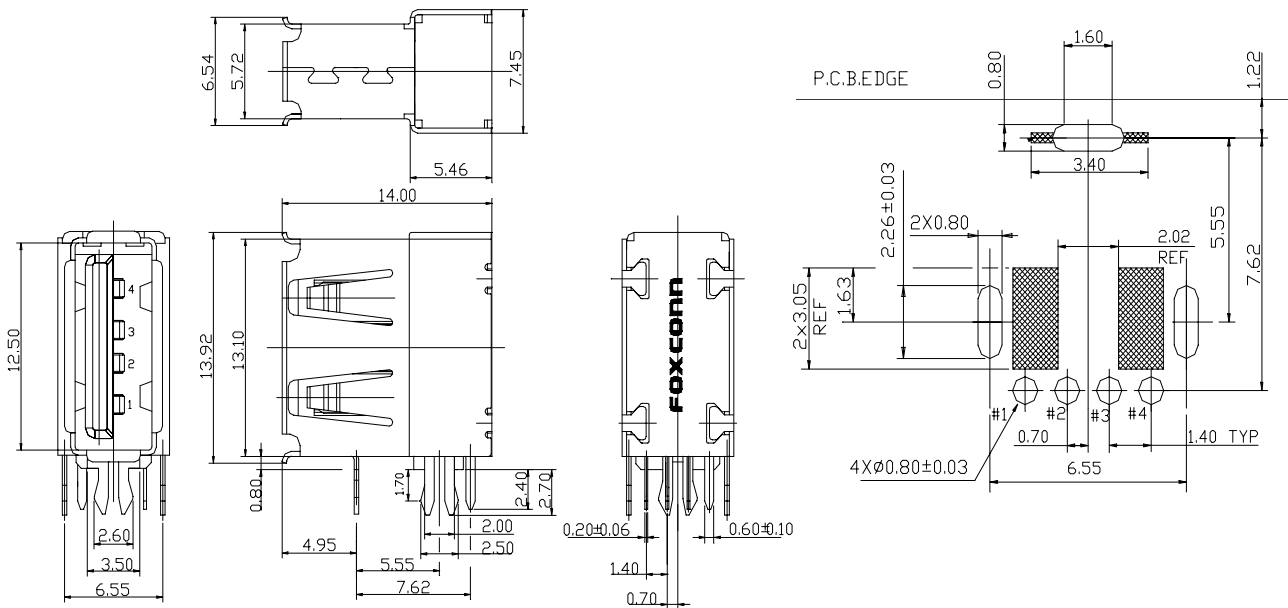
Up Right, T/H Type

2.50mm [.098"] Pitch

4 Pos.



DRAWING



ORDERING INFORMATION

