

# RF LDMOS Wideband Integrated Power Amplifiers

The MD7IC2012N wideband integrated circuit is designed with on-chip matching that makes it usable from 1805 to 2170 MHz. This multi-stage structure is rated for 24 to 32 volt operation and covers all typical cellular base station modulation formats.

## Driver Application — 2100 MHz

- Typical Single-Carrier W-CDMA Performance:  $V_{DD} = 28$  Volts,  $I_{DQ1A} = I_{DQ1B} = 20$  mA,  $I_{DQ2A} = I_{DQ2B} = 70$  mA,  $P_{out} = 1.3$  Watts Avg., IQ Magnitude Clipping, Channel Bandwidth = 3.84 MHz, Input Signal PAR = 7.5 dB @ 0.01% Probability on CCDF.

Frequency	$G_{ps}$ (dB)	PAE (%)	ACPR (dBc)
2110 MHz	31.0	14.7	-51.3
2140 MHz	31.3	14.8	-51.2
2170 MHz	31.5	14.9	-50.6

- Capable of Handling 5:1 VSWR, @ 32 Vdc, 2140 MHz, 14 Watts CW Output Power (3 dB Input Overdrive from Rated  $P_{out}$ )
- Typical  $P_{out}$  @ 1 dB Compression Point  $\approx 12$  Watts CW

## Driver Application — 1800 MHz

- Typical Single-Carrier W-CDMA Performance:  $V_{DD} = 28$  Volts,  $I_{DQ1A} = I_{DQ1B} = 20$  mA,  $I_{DQ2A} = I_{DQ2B} = 70$  mA,  $P_{out} = 1.3$  Watts Avg., IQ Magnitude Clipping, Channel Bandwidth = 3.84 MHz, Input Signal PAR = 7.5 dB @ 0.01% Probability on CCDF.

Frequency	$G_{ps}$ (dB)	PAE (%)	ACPR (dBc)
1805 MHz	32.8	13.4	-51.0
1840 MHz	32.2	13.6	-51.2
1880 MHz	31.6	13.8	-51.8

## Features

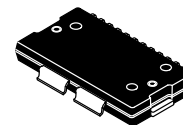
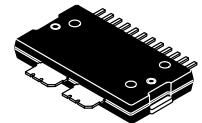
- Characterized with Series Equivalent Large-Signal Impedance Parameters and Common Source S-Parameters
- On-Chip Matching (50 Ohm Input, DC Blocked)
- Integrated Quiescent Current Temperature Compensation with Enable/Disable Function <sup>(1)</sup>
- Integrated ESD Protection
- Designed for Digital Predistortion Error Correction Systems
- Optimized for Doherty Applications
- 225°C Capable Plastic Package
- In Tape and Reel. R1 Suffix = 500 Units, 44 mm Tape Width, 13-inch Reel.

1. Refer to AN1977, *Quiescent Current Thermal Tracking Circuit in the RF Integrated Circuit Family* and to AN1987, *Quiescent Current Control for the RF Integrated Circuit Device Family*. Go to <http://www.freescale.com/rf>. Select Documentation/Application Notes – AN1977 or AN1987.

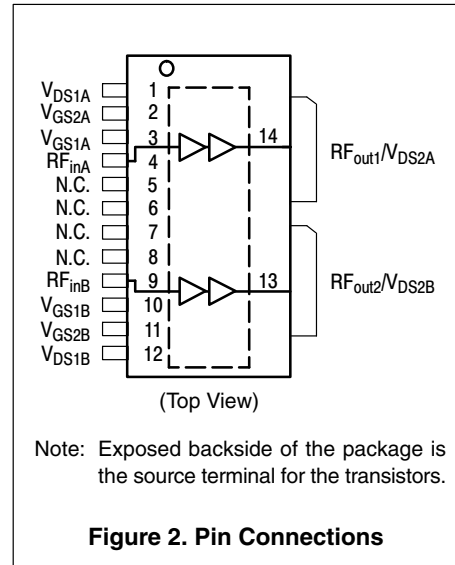
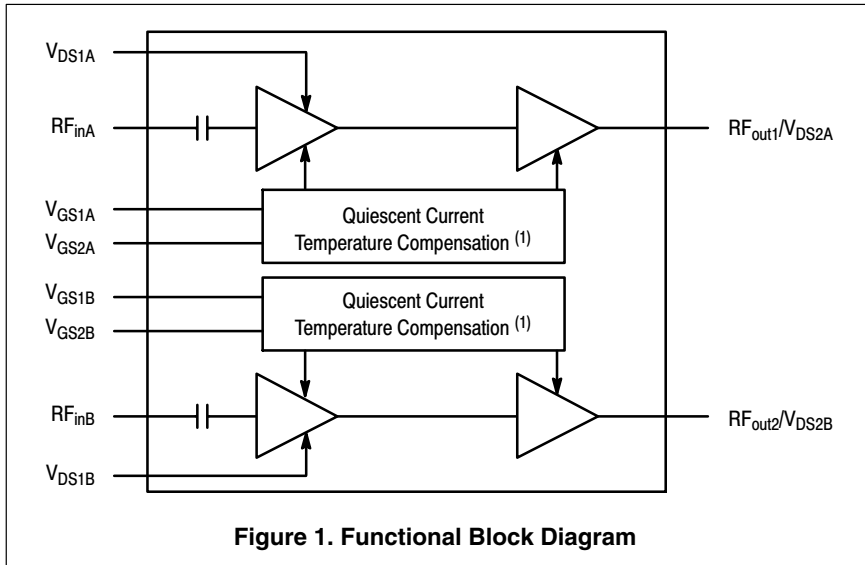
**MD7IC2012NR1**  
**MD7IC2012GNR1**

**1805–2170 MHz, 1.3 W AVG., 28 V**  
**SINGLE W-CDMA**  
**RF LDMOS WIDEBAND**  
**INTEGRATED POWER AMPLIFIERS**

TO-270 WB-14  
PLASTIC  
MD7IC2012NR1



TO-270 WB-14 GULL  
PLASTIC  
MD7IC2012GNR1



**Table 1. Maximum Ratings**

Rating	Symbol	Value	Unit
Drain–Source Voltage	$V_{DS}$	-0.5, +65	Vdc
Gate–Source Voltage	$V_{GS}$	-0.5, +10	Vdc
Operating Voltage	$V_{DD}$	32, +0	Vdc
Storage Temperature Range	$T_{stg}$	-65 to +150	°C
Case Operating Temperature	$T_C$	150	°C
Operating Junction Temperature (2,3)	$T_J$	225	°C
Input Power	$P_{in}$	20	dBm

**Table 2. Thermal Characteristics**

Characteristic	Symbol	Value (3,4)	Unit
Thermal Resistance, Junction to Case Case Temperature 77°C, 1.3 W, 2170 MHz Stage 1, 28 Vdc, $I_{DQ1A} = I_{DQ1B} = 20$ mA, 2170 MHz Stage 2, 28 Vdc, $I_{DQ2A} = I_{DQ2B} = 70$ mA, 2170 MHz	$R_{\theta JC}$	7.8	°C/W
Case Temperature 79°C, 12 W CW, 2170 MHz Stage 1, 28 Vdc, $I_{DQ1A} = I_{DQ1B} = 20$ mA, 2170 MHz Stage 2, 28 Vdc, $I_{DQ2A} = I_{DQ2B} = 70$ mA, 2170 MHz		3.1	
		7.3	
		2.4	

**Table 3. ESD Protection Characteristics**

Test Methodology	Class
Human Body Model (per JESD22–A114)	1A
Machine Model (per EIA/JESD22–A115)	A
Charge Device Model (per JESD22–C101)	II

**Table 4. Moisture Sensitivity Level**

Test Methodology	Rating	Package Peak Temperature	Unit
Per JESD22–A113, IPC/JEDEC J–STD–020	3	260	°C

1. Refer to AN1977, *Quiescent Current Thermal Tracking Circuit in the RF Integrated Circuit Family* and to AN1987, *Quiescent Current Control for the RF Integrated Circuit Device Family*. Go to <http://www.freescale.com/rf>. Select Documentation/Application Notes – AN1977 or AN1987.
2. Continuous use at maximum temperature will affect MTTF.
3. MTTF calculator available at <http://www.freescale.com/rf>. Select Software & Tools/Development Tools/Calculators to access MTTF calculators by product.
4. Refer to AN1955, *Thermal Measurement Methodology of RF Power Amplifiers*. Go to <http://www.freescale.com/rf>. Select Documentation/Application Notes – AN1955.

**Table 5. Electrical Characteristics** ( $T_A = 25^\circ\text{C}$  unless otherwise noted)

Characteristic	Symbol	Min	Typ	Max	Unit
<b>Stage 1 – Off Characteristics (1)</b>					
Zero Gate Voltage Drain Leakage Current ( $V_{DS} = 65\text{ Vdc}$ , $V_{GS} = 0\text{ Vdc}$ )	$I_{DSS}$	—	—	10	$\mu\text{A}$
Zero Gate Voltage Drain Leakage Current ( $V_{DS} = 28\text{ Vdc}$ , $V_{GS} = 0\text{ Vdc}$ )	$I_{DSS}$	—	—	1	$\mu\text{A}$
Gate–Source Leakage Current ( $V_{GS} = 1.5\text{ Vdc}$ , $V_{DS} = 0\text{ Vdc}$ )	$I_{GSS}$	—	—	1	$\mu\text{A}$

**Stage 1 – On Characteristics (1)**

Gate Threshold Voltage ( $V_{DS} = 10\text{ Vdc}$ , $I_D = 5\ \mu\text{A}$ )	$V_{GS(th)}$	1.2	2.0	2.7	Vdc
Gate Quiescent Voltage ( $V_{DS} = 28\text{ Vdc}$ , $I_{DQ1A} = I_{DQ1B} = 20\text{ mA}$ )	$V_{GS(Q)}$	—	2.7	—	Vdc
Fixture Gate Quiescent Voltage ( $V_{DD} = 28\text{ Vdc}$ , $I_{DQ1A} = I_{DQ1B} = 20\text{ mA}$ , Measured in Functional Test)	$V_{GG(Q)}$	4.2	5.0	5.7	Vdc

**Stage 2 – Off Characteristics (1)**

Zero Gate Voltage Drain Leakage Current ( $V_{DS} = 65\text{ Vdc}$ , $V_{GS} = 0\text{ Vdc}$ )	$I_{DSS}$	—	—	10	$\mu\text{A}$
Zero Gate Voltage Drain Leakage Current ( $V_{DS} = 28\text{ Vdc}$ , $V_{GS} = 0\text{ Vdc}$ )	$I_{DSS}$	—	—	1	$\mu\text{A}$
Gate–Source Leakage Current ( $V_{GS} = 1.5\text{ Vdc}$ , $V_{DS} = 0\text{ Vdc}$ )	$I_{GSS}$	—	—	1	$\mu\text{A}$

**Stage 2 – On Characteristics (1)**

Gate Threshold Voltage ( $V_{DS} = 10\text{ Vdc}$ , $I_D = 24\ \mu\text{A}$ )	$V_{GS(th)}$	1.2	2.0	2.7	Vdc
Gate Quiescent Voltage ( $V_{DS} = 28\text{ Vdc}$ , $I_{DQ2A} = I_{DQ2B} = 70\text{ mA}$ )	$V_{GS(Q)}$	—	2.0	—	Vdc
Fixture Gate Quiescent Voltage ( $V_{DD} = 28\text{ Vdc}$ , $I_{DQ2A} = I_{DQ2B} = 70\text{ mA}$ , Measured in Functional Test)	$V_{GG(Q)}$	3.2	4.0	4.7	Vdc
Drain–Source On–Voltage ( $V_{GS} = 10\text{ Vdc}$ , $I_D = 200\text{ mA}$ )	$V_{DS(on)}$	0.1	0.24	1.5	Vdc

**Functional Tests (2,3)** (In Freescale Test Fixture, 50 ohm system)  $V_{DD} = 28\text{ Vdc}$ ,  $I_{DQ1A} = I_{DQ1B} = 20\text{ mA}$ ,  $I_{DQ2A} = I_{DQ2B} = 70\text{ mA}$ ,  $P_{out} = 1.3\text{ W Avg.}$ ,  $f = 2170\text{ MHz}$ , Single–Carrier W–CDMA, IQ Magnitude Clipping, Input Signal PAR = 7.5 dB @ 0.01% Probability on CCDF. ACPR measured in 3.84 MHz Channel Bandwidth @  $\pm 5\text{ MHz}$  Offset.

Power Gain	$G_{ps}$	30.7	31.5	34.7	dB
Power Added Efficiency	PAE	13.2	14.9	—	%
Output Peak–to–Average Ratio @ 0.01% Probability on CCDF	PAR	6.8	7.3	—	dB
Adjacent Channel Power Ratio	ACPR	—	–50.6	–48.3	dBc

- Each side of device measured separately.
- Part internally matched both on input and output.
- Measurement made with device in straight lead configuration before any lead forming operation is applied. Lead forming is used for gull wing (GN) parts.

(continued)

**Table 5. Electrical Characteristics** ( $T_A = 25^\circ\text{C}$  unless otherwise noted) (continued)

Characteristic	Symbol	Min	Typ	Max	Unit
<b>Typical Performance</b> (In Freescale Test Fixture, 50 ohm system) $V_{DD} = 28\text{ Vdc}$ , $I_{DQ1A} = I_{DQ1B} = 20\text{ mA}$ , $I_{DQ2A} = I_{DQ2B} = 70\text{ mA}$ , 2110–2170 MHz Bandwidth					
$P_{out}$ @ 1 dB Compression Point, CW	P1dB	—	12	—	W
$P_{out}$ @ 3 dB Compression Point, CW	P3dB	—	13	—	W
IMD Symmetry @ 10 W PEP, $P_{out}$ where IMD Third Order Intermodulation $\cong 30\text{ dBc}$ (Delta IMD Third Order Intermodulation between Upper and Lower Sidebands $> 2\text{ dB}$ )	IMD <sub>sym</sub>	—	60	—	MHz
VBW Resonance Point (IMD Third Order Intermodulation Inflection Point)	VBW <sub>res</sub>	—	85	—	MHz
Quiescent Current Accuracy over Temperature (1,2) with 2 k $\Omega$ Gate Feed Resistors (–30 to 85°C)      Stage 1 with 2 k $\Omega$ Gate Feed Resistors (–30 to 85°C)      Stage 2	$\Delta I_{QT}$	—	2.5	—	%
Gain Flatness in 60 MHz Bandwidth @ $P_{out} = 1.3\text{ W Avg.}$	$G_F$	—	0.2	—	dB
Gain Variation over Temperature (–30°C to +85°C)	$\Delta G$	—	0.03	—	dB/°C
Output Power Variation over Temperature (–30°C to +85°C)	$\Delta P_{1dB}$	—	0.012	—	dB/°C

1. Each side of device measured separately.
2. Refer to AN1977, *Quiescent Current Thermal Tracking Circuit in the RF Integrated Circuit Family* and to AN1987, *Quiescent Current Control for the RF Integrated Circuit Device Family*. Go to <http://www.freescale.com/rf>. Select Documentation/Application Notes – AN1977 or AN1987.

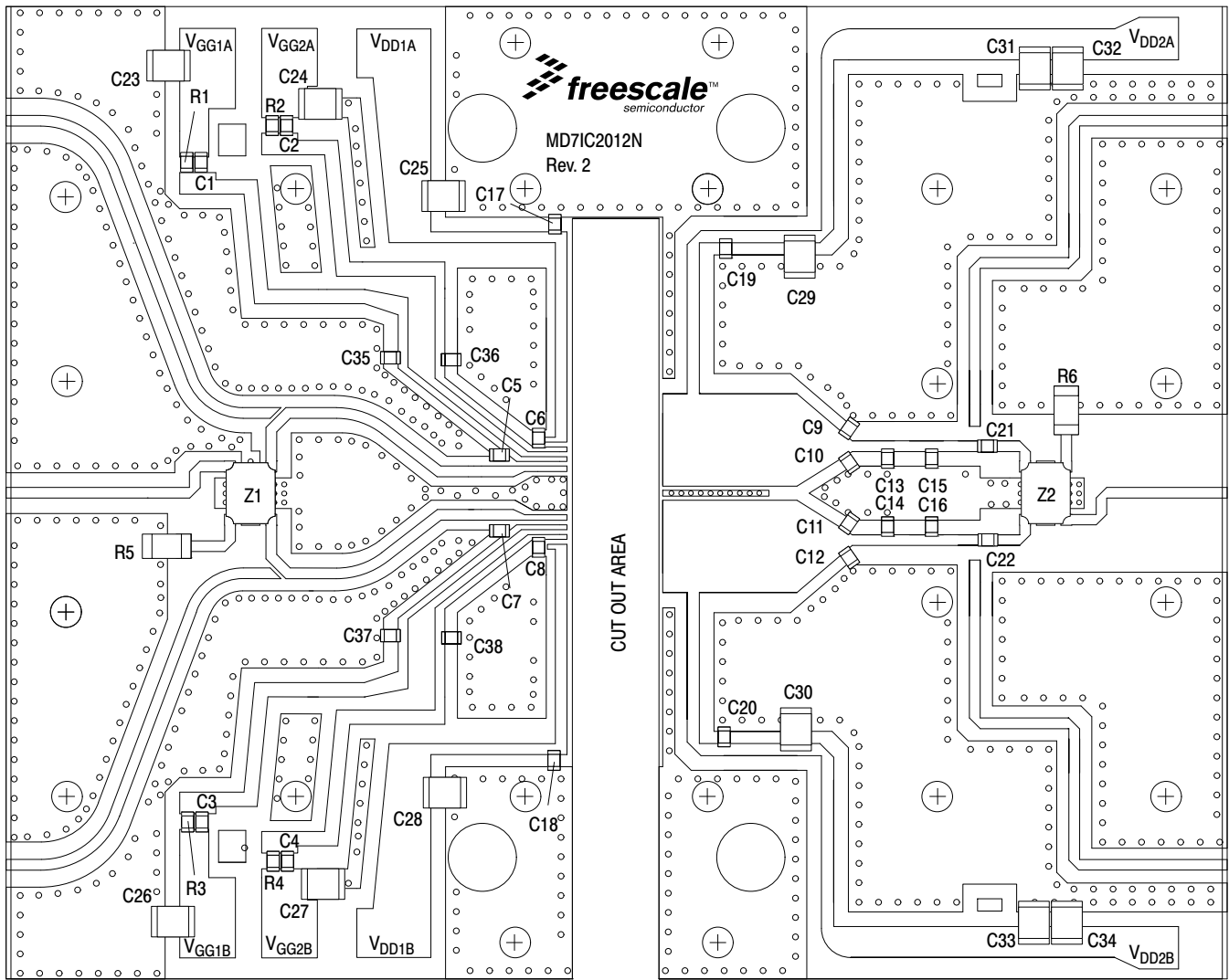


Figure 3. MD7IC2012NR1 Test Circuit Component Layout — 1805–2170 MHz

Table 6. MD7IC2012NR1 Test Circuit Component Designations and Values — 1805–2170 MHz

Part	Description	Part Number	Manufacturer
C1, C2, C3, C4	3.9 pF Chip Capacitors	ATC600F3R9BT250XT	ATC
C5, C6, C7, C8	1.0 pF Chip Capacitors	ATC600F1R0BT250XT	ATC
C9, C10, C11, C12	0.6 pF Chip Capacitors	ATC600F0R6BT250XT	ATC
C13, C14	0.8 pF Chip Capacitors	ATC600F0R8BT250XT	ATC
C15, C16	1.2 pF Chip Capacitors	ATC600F1R2BT250XT	ATC
C17, C18, C19, C20	10 pF Chip Capacitors	ATC600F10RBT250XT	ATC
C21, C22	5.6 pF Chip Capacitors	ATC600F5R6BT250XT	ATC
C23, C24, C25, C26, C27, C28, C29, C30, C31, C32, C33, C34	10 $\mu$ F, Chip Capacitors	C5750X7S2A106M230KB	TDK
C35, C36, C37, C38	22 nF Chip Capacitors	GRM31BR72E223KW01L	Murata
R1, R2, R3, R4	2 k $\Omega$ , 1/8 W Chip Resistors	CRCW12062K00FKEA	Vishay
R5, R6	50 $\Omega$ , 20 W SM Chip Power Resistors	C20N50Z4	Anaren
Z1, Z2	1800–2300 MHz Band, 90°, 3 dB Hybrid Coupler	X3C21P1–03S	Anaren
PCB	0.020", $\epsilon_r = 3.50$	RO4350B	Rogers

TYPICAL CHARACTERISTICS — 1805–2170 MHz

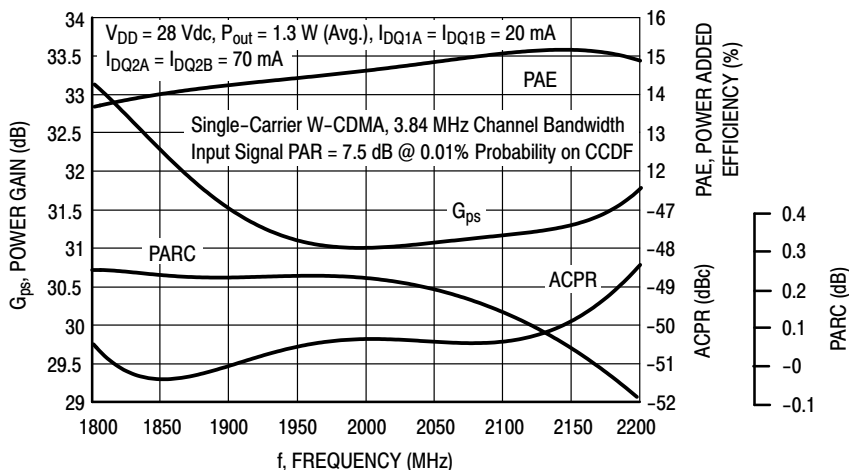


Figure 4. Output Peak-to-Average Ratio Compression (PARC) Broadband Performance @  $P_{out} = 1.3$  Watts Avg.

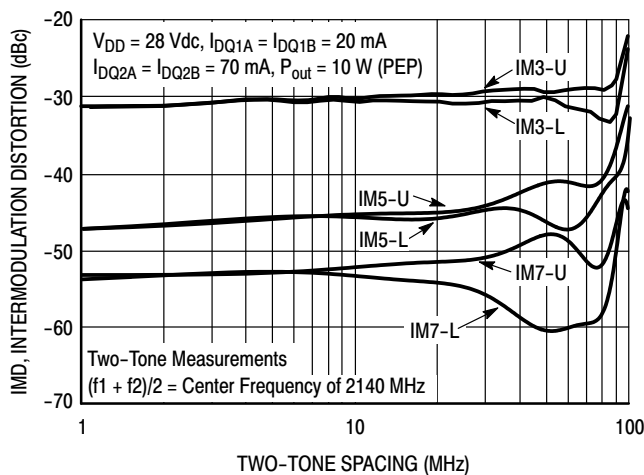


Figure 5. Intermodulation Distortion Products versus Two-Tone Spacing

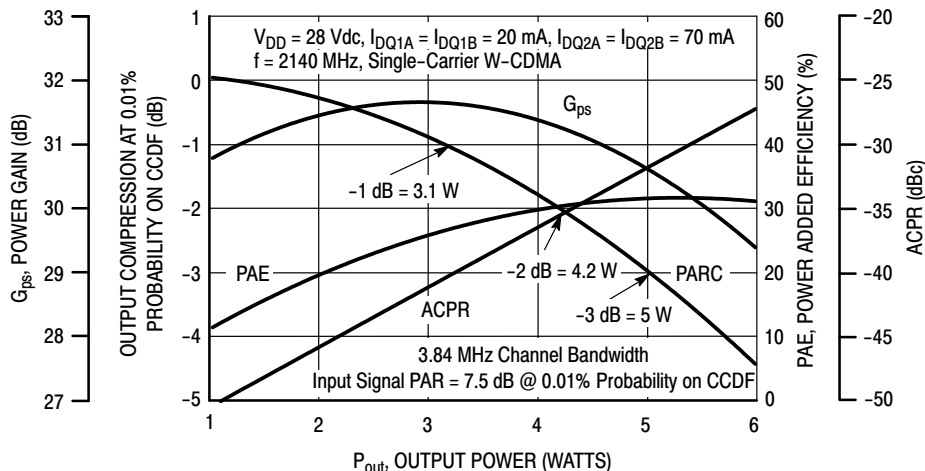
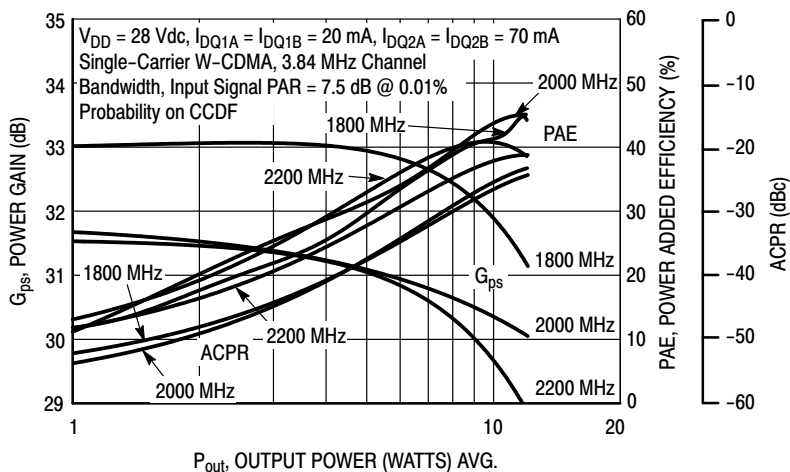
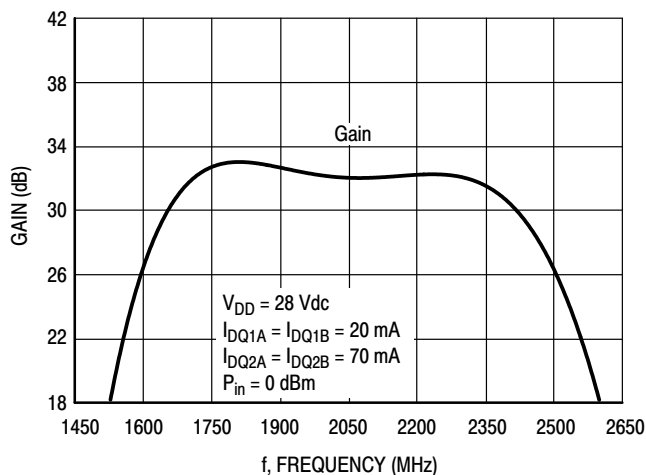


Figure 6. Output Peak-to-Average Ratio Compression (PARC) versus Output Power

### TYPICAL CHARACTERISTICS — 1805–2170 MHz

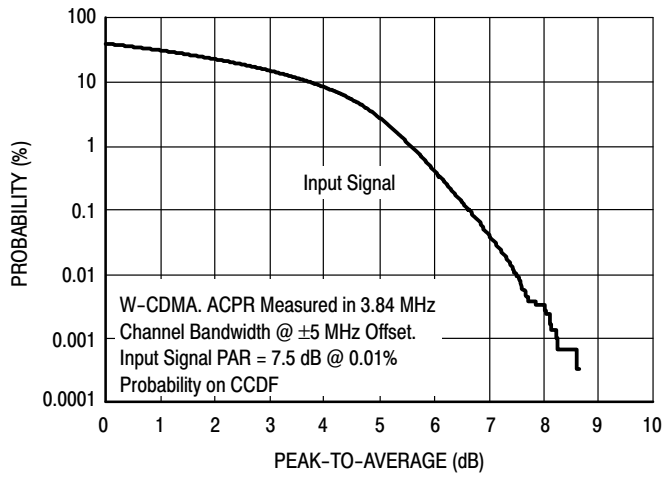


**Figure 7. Single-Carrier W-CDMA Power Gain, Power Added Efficiency and ACPR versus Output Power**

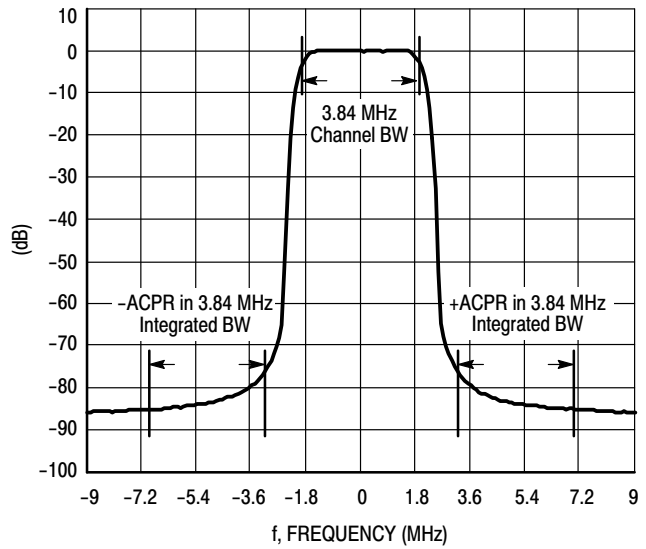


**Figure 8. Broadband Frequency Response**

## W-CDMA TEST SIGNAL



**Figure 9. CCDF W-CDMA IQ Magnitude Clipping, Single-Carrier Test Signal**



**Figure 10. Single-Carrier W-CDMA Spectrum**

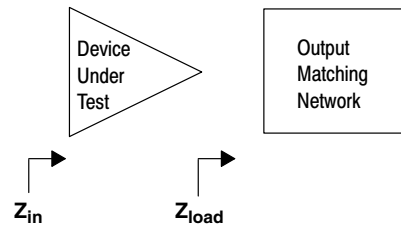


$V_{DD} = 28 \text{ Vdc}$ ,  $I_{DQ1A} = I_{DQ1B} = 20 \text{ mA}$ ,  $I_{DQ2A} = I_{DQ2B} = 70 \text{ mA}$ ,  $P_{out} = 1.3 \text{ W Avg.}$

f MHz	$Z_{in}$ $\Omega$	$Z_{load}$ $\Omega$
1800	$73.3 + j2.21$	$7.94 - j1.22$
1850	$82.5 - j7.53$	$8.26 - j0.97$
1900	$80.1 - j27.0$	$8.40 - j1.13$
1950	$73.8 - j29.4$	$8.55 - j2.03$
2000	$64.6 - j33.8$	$8.67 - j2.62$
2050	$55.8 - j28.6$	$8.85 - j2.62$
2100	$50.5 - j27.2$	$8.64 - j2.79$
2150	$50.5 - j27.2$	$8.43 - j2.89$
2200	$45.7 - j19.8$	$8.05 - j2.95$

$Z_{in}$  = Device input impedance as measured from gate to ground.

$Z_{load}$  = Test circuit impedance as measured from drain to ground.



**Figure 11. Series Equivalent Input and Load Impedance — 1805–2170 MHz**

$V_{DD} = 28 \text{ Vdc}$ ,  $I_{DQ1A} = 12 \text{ mA}$ ,  $I_{DQ2A} = 80 \text{ mA}$ , CW

f (MHz)	$Z_{\text{source}} (\Omega)$	$Z_{\text{in}} (\Omega)$	Max Output Power					
			P1dB					
			$Z_{\text{load}}^{(1)} (\Omega)$	Gain (dB)	(dBm)	(W)	$\eta_D$ (%)	AM/PM (°)
2110	48.7 + j29.5	46.6 – j28.5	8.66 – j3.87	28.2	40.0	10.0	50.8	–5.3
2140	46.8 + j28.4	43.5 – j25.5	7.73 – j3.91	28.8	40.0	10.0	52.7	–7.2
2170	44.5 + j20.1	42.5 – j22.4	7.57 – j4.37	29.0	40.0	10.0	52.7	–6.9

f (MHz)	$Z_{\text{source}} (\Omega)$	$Z_{\text{in}} (\Omega)$	Max Output Power					
			P3dB					
			$Z_{\text{load}}^{(2)} (\Omega)$	Gain (dB)	(dBm)	(W)	$\eta_D$ (%)	AM/PM (°)
2110	48.7 + j29.5	46.3 + j26.5	8.66 – j3.87	26.2	40.7	11.8	51.6	–7.9
2140	46.8 + j28.4	43.9 – j22.5	9.01 – j4.25	26.4	40.7	11.8	50.8	–9.4
2170	44.5 + j20.1	42.9 – j19.4	8.73 – j4.51	26.6	40.7	11.8	51.2	–9.2

(1) Load impedance for optimum P1dB power. (2) Load impedance for optimum P3dB power.

$Z_{\text{source}}$  = Measured impedance presented to the input of the device at the package reference plane.

$Z_{\text{in}}$  = Impedance as measured from gate contact to ground.

$Z_{\text{load}}$  = Measured impedance presented to the output of the device at the package reference plane.

**Note: Measurement made on a per side basis.**

**Figure 12. Load Pull Performance — Maximum Power Tuning**

$V_{DD} = 28 \text{ Vdc}$ ,  $I_{DQ1A} = 12 \text{ mA}$ ,  $I_{DQ2A} = 80 \text{ mA}$ , CW

f (MHz)	$Z_{\text{source}} (\Omega)$	$Z_{\text{in}} (\Omega)$	Max Power Added Efficiency					
			P1dB					
			$Z_{\text{load}}^{(1)} (\Omega)$	Gain (dB)	(dBm)	(W)	$\eta_D$ (%)	AM/PM (°)
2110	48.7 + j29.5	43.2 – j34.5	4.39 – j1.83	30.0	38.8	7.5	57.7	–12
2140	46.8 + j28.4	40.9 – j30.0	4.39 – j2.52	30.4	38.9	7.7	57.2	–13
2170	44.5 + j20.1	39.6 – j25.9	4.69 – j2.49	30.5	38.9	7.8	56.9	–12

f (MHz)	$Z_{\text{source}} (\Omega)$	$Z_{\text{in}} (\Omega)$	Max Power Added Efficiency					
			P3dB					
			$Z_{\text{load}}^{(2)} (\Omega)$	Gain (dB)	(dBm)	(W)	$\eta_D$ (%)	AM/PM (°)
2110	48.7 + j29.5	44.3 – j30.6	5.17 – j2.00	27.7	39.7	9.4	56.5	–12
2140	46.8 + j28.4	41.8 – j25.9	5.53 – j2.22	27.9	39.8	9.6	56.1	–13
2170	44.5 + j20.1	40.2 – j23.7	4.69 – j2.49	28.4	39.4	8.7	55.7	–14

(1) Load impedance for optimum P1dB efficiency (2) Load impedance for optimum P3dB efficiency.

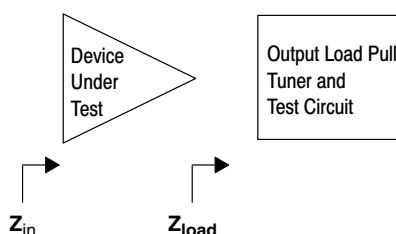
$Z_{\text{source}}$  = Measured impedance presented to the input of the device at the package reference plane.

$Z_{\text{in}}$  = Impedance as measured from gate contact to ground.

$Z_{\text{load}}$  = Measured impedance presented to the output of the device at the package reference plane.

**Note: Measurement made on a per side basis.**

**Figure 13. Load Pull Performance — Maximum Power Added Efficiency Tuning**



V<sub>DD</sub> = 28 Vdc, I<sub>DQ1A</sub> = 12 mA, I<sub>DQ2A</sub> = 80 mA, CW

f (MHz)	Z <sub>source</sub> (Ω)	Z <sub>in</sub> (Ω)	Max Output Power					
			P1dB					
			Z <sub>load</sub> <sup>(1)</sup> (Ω)	Gain (dB)	(dBm)	(W)	η <sub>D</sub> (%)	AM/PM (°)
1805	61.8 - j5.85	61.6 + j7.80	8.04 - j0.206	29.6	40.0	10.0	54.7	-11
1840	73.7 - j4.41	70.3 + j1.44	8.01 - j0.273	29.8	40.0	10.0	55.9	-7.6
1880	73.3 + j8.94	74.5 - j7.06	8.65 - j1.23	29.2	40.0	10.0	53.8	-6.9

f (MHz)	Z <sub>source</sub> (Ω)	Z <sub>in</sub> (Ω)	Max Output Power					
			P3dB					
			Z <sub>load</sub> <sup>(2)</sup> (Ω)	Gain (dB)	(dBm)	(W)	η <sub>D</sub> (%)	AM/PM (°)
1805	61.8 - j5.85	61.7 + j5.98	8.65 - j0.359	27.4	40.7	11.7	55.4	-18
1840	73.7 - j4.41	67.7 - j0.606	9.34 - j0.874	27.3	40.7	11.7	54.7	-13
1880	73.3 + j8.94	72.8 - j7.46	8.65 - j1.23	27.2	40.8	12.0	55.5	-10

(1) Load impedance for optimum P1dB power. (2) Load impedance for optimum P3dB power.

Z<sub>source</sub> = Measured impedance presented to the input of the device at the package reference plane.

Z<sub>in</sub> = Impedance as measured from gate contact to ground.

Z<sub>load</sub> = Measured impedance presented to the output of the device at the package reference plane.

**Note: Measurement made on a per side basis.**

**Figure 14. Load Pull Performance — Maximum Power Tuning**

V<sub>DD</sub> = 28 Vdc, I<sub>DQ1A</sub> = 12 mA, I<sub>DQ2A</sub> = 80 mA, CW

f (MHz)	Z <sub>source</sub> (Ω)	Z <sub>in</sub> (Ω)	Max Power Added Efficiency					
			P1dB					
			Z <sub>load</sub> <sup>(1)</sup> (Ω)	Gain (dB)	(dBm)	(W)	η <sub>D</sub> (%)	AM/PM (°)
1805	61.8 - j5.85	69.9 + j14.4	5.10 + j2.07	31.4	38.9	7.8	60.8	-13
1840	73.7 - j4.41	81.0 + j0.271	5.52 + j2.11	31.6	38.8	7.6	60.3	-9.1
1880	73.3 + j8.94	87.3 - j10.7	4.69 + j0.912	31.0	38.9	7.8	61.1	-10

f (MHz)	Z <sub>source</sub> (Ω)	Z <sub>in</sub> (Ω)	Max Power Added Efficiency					
			P3dB					
			Z <sub>load</sub> <sup>(2)</sup> (Ω)	Gain (dB)	(dBm)	(W)	η <sub>D</sub> (%)	AM/PM (°)
1805	61.8 - j5.85	68.1 + j8.57	5.05 - j0.32	29.3	39.6	9.3	61.4	-15
1840	73.7 - j4.41	76.4 - j1.31	5.52 + j2.11	29.6	39.5	9.3	61.3	-11
1880	73.3 + j8.94	79.4 - j10.8	5.43 + j1.07	28.8	39.8	9.3	61.4	-12

(1) Load impedance for optimum P1dB efficiency (2) Load impedance for optimum P3dB efficiency.

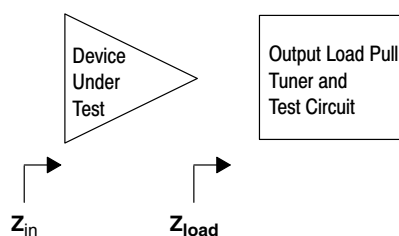
Z<sub>source</sub> = Measured impedance presented to the input of the device at the package reference plane.

Z<sub>in</sub> = Impedance as measured from gate contact to ground.

Z<sub>load</sub> = Measured impedance presented to the output of the device at the package reference plane.

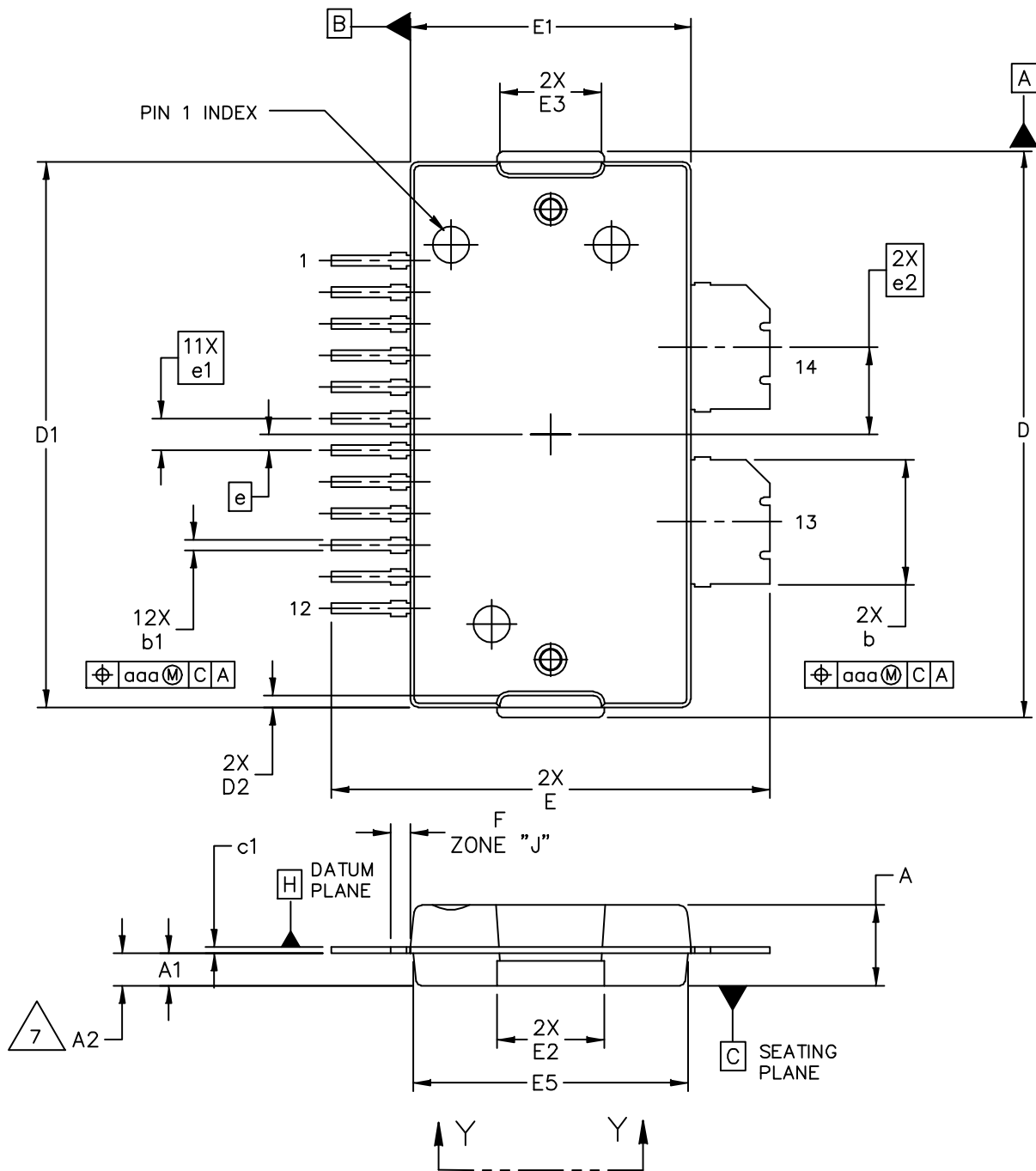
**Note: Measurement made on a per side basis.**

**Figure 15. Load Pull Performance — Maximum Power Added Efficiency Tuning**

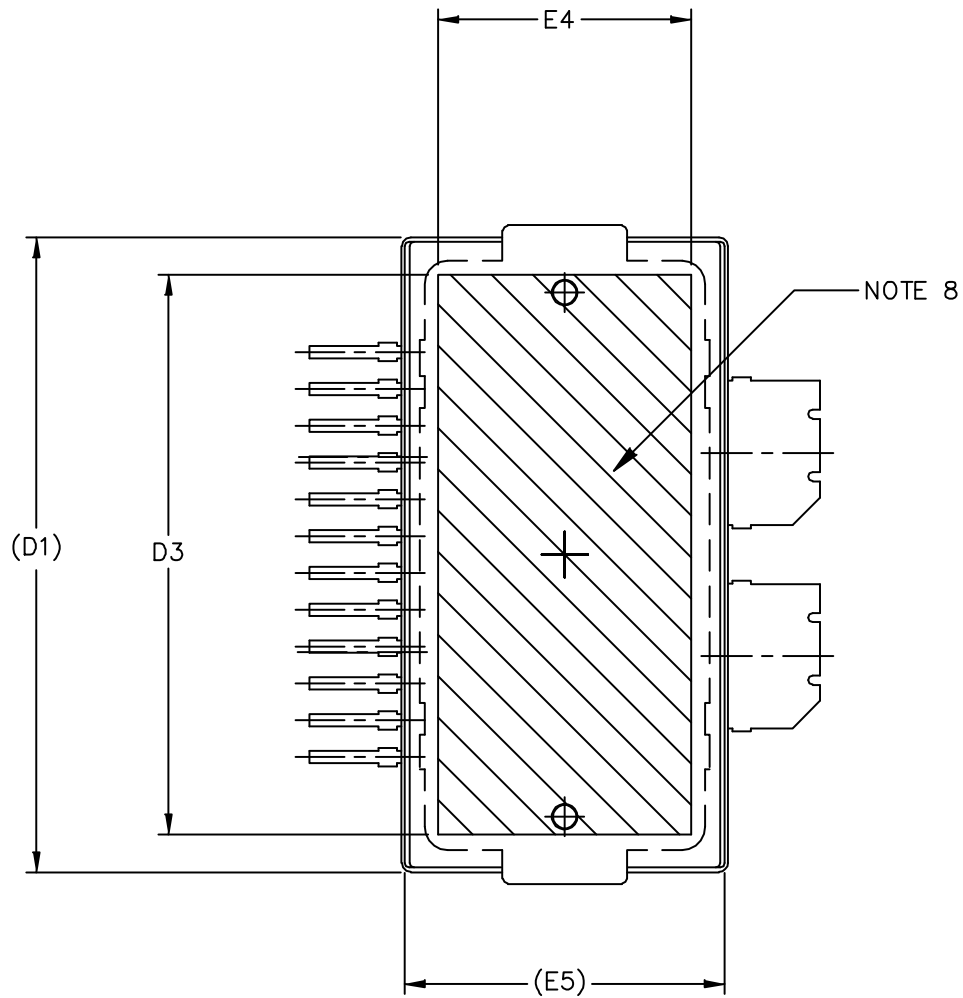


MD7IC2012NR1 MD7IC2012GNR1

### PACKAGE DIMENSIONS



© FREESCALE SEMICONDUCTOR, INC. ALL RIGHTS RESERVED.	MECHANICAL OUTLINE	PRINT VERSION NOT TO SCALE	
TITLE: TO-270 WIDE BODY 14 LEAD	DOCUMENT NO: 98ASA10650D		REV: A
	CASE NUMBER: 1618-02		19 JUN 2007
	STANDARD: NON-JEDEC		



VIEW Y-Y

© FREESCALE SEMICONDUCTOR, INC. ALL RIGHTS RESERVED.	MECHANICAL OUTLINE	PRINT VERSION NOT TO SCALE	
TITLE: TO-270 WIDE BODY 14 LEAD	DOCUMENT NO: 98ASA10650D	REV: A	
	CASE NUMBER: 1618-02	19 JUN 2007	
	STANDARD: NON-JEDEC		

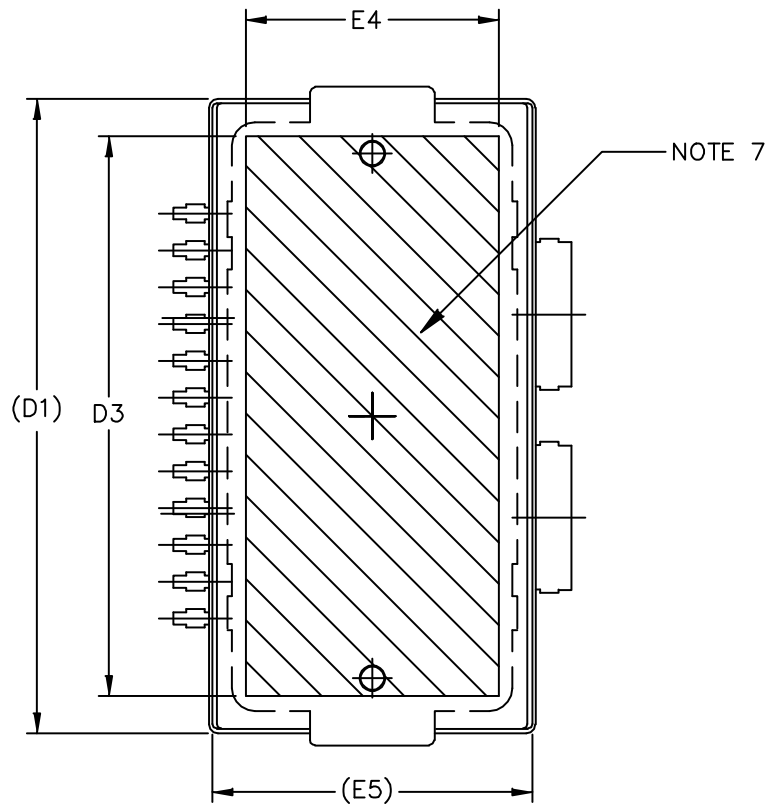
MD7IC2012NR1 MD7IC2012GNR1

NOTES:

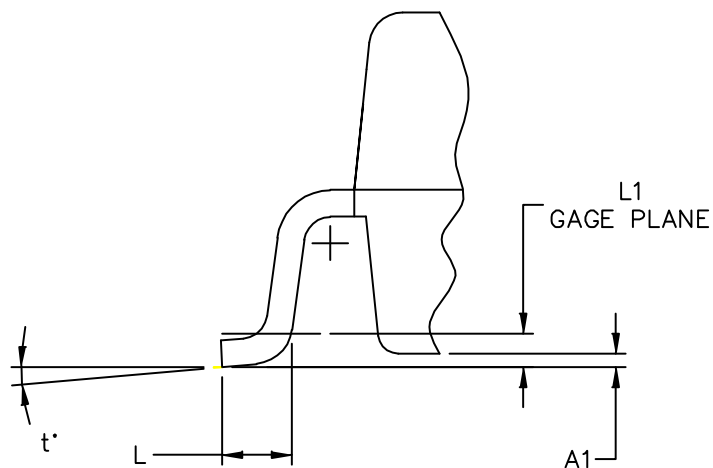
1. CONTROLLING DIMENSION: INCH
2. INTERPRET DIMENSIONS AND TOLERANCES PER ASME Y14.5M-1994.
3. DATUM PLANE -H- IS LOCATED AT THE TOP OF LEAD AND IS COINCIDENT WITH THE LEAD WHERE THE LEAD EXITS THE PLASTIC BODY AT THE TOP OF THE PARTING LINE.
4. DIMENSIONS "D" AND "E1" DO NOT INCLUDE MOLD PROTRUSION. ALLOWABLE PROTRUSION IS .006 PER SIDE. DIMENSIONS "D" AND "E1" DO INCLUDE MOLD MISMATCH AND ARE DETERMINED AT DATUM PLANE -H-.
5. DIMENSIONS "b" AND "b1" DOES NOT INCLUDE DAMBAR PROTRUSION. ALLOWABLE DAMBAR PROTRUSION SHALL BE .005 TOTAL IN EXCESS OF THE "b" AND "b1" DIMENSION AT MAXIMUM MATERIAL CONDITION.
6. DATUMS -A- AND -B- TO BE DETERMINED AT DATUM PLANE -H-.
7. DIMENSION A2 APPLIES WITHIN ZONE "J" ONLY.
8. HATCHING REPRESENTS THE EXPOSED AREA OF THE HEAT SLUG.

DIM	INCH		MILLIMETER		DIM	INCH		MILLIMETER	
	MIN	MAX	MIN	MAX		MIN	MAX	MIN	MAX
A	.100	.104	2.54	2.64	F	.025 BSC		0.64 BSC	
A1	.039	.043	0.99	1.09	b	.154	.160	3.91	4.06
A2	.040	.042	1.02	1.07	b1	.010	.016	0.25	0.41
D	.712	.720	18.08	18.29	c1	.007	.011	.18	.28
D1	.688	.692	17.48	17.58	e	.020 BSC		0.51 BSC	
D2	.011	.019	0.28	0.48	e1	.040 BSC		1.02 BSC	
D3	.600	---	15.24	---	e2	.1105 BSC		2.807 BSC	
E	.551	.559	14	14.2					
E1	.353	.357	8.97	9.07	aaa	.004		.10	
E2	.132	.140	3.35	3.56					
E3	.124	.132	3.15	3.35					
E4	.270	---	6.86	---					
E5	.346	.350	8.79	8.89					
© FREESCALE SEMICONDUCTOR, INC. ALL RIGHTS RESERVED.			MECHANICAL OUTLINE			PRINT VERSION NOT TO SCALE			
TITLE: TO-270 WIDE BODY 14 LEAD					DOCUMENT NO: 98ASA10650D			REV: A	
					CASE NUMBER: 1618-02			19 JUN 2007	
					STANDARD: NON-JEDEC				





VIEW Y-Y



DETAIL "Y"

© FREESCALE SEMICONDUCTOR, INC. ALL RIGHTS RESERVED.	MECHANICAL OUTLINE	PRINT VERSION NOT TO SCALE	
TITLE: TO-270 WIDE BODY 14 LEAD GULL WING	DOCUMENT NO: 98ASA10653D	REV: A	
	CASE NUMBER: 1621-02	19 JUN 2007	
	STANDARD: NON-JEDEC		



NOTES:

1. CONTROLLING DIMENSION: INCH
2. INTERPRET DIMENSIONS AND TOLERANCES PER ASME Y14.5M-1994.
3. DATUM PLANE -H- IS LOCATED AT THE TOP OF LEAD AND IS COINCIDENT WITH THE LEAD WHERE THE LEAD EXITS THE PLASTIC BODY AT THE TOP OF THE PARTING LINE.
4. DIMENSIONS "D" AND "E1" DO NOT INCLUDE MOLD PROTRUSION. ALLOWABLE PROTRUSION IS .006 PER SIDE. DIMENSIONS "D" AND "E1" DO INCLUDE MOLD MISMATCH AND ARE DETERMINED AT DATUM PLANE -H-.
5. DIMENSIONS "b" AND "b1" DOES NOT INCLUDE DAMBAR PROTRUSION. ALLOWABLE DAMBAR PROTRUSION SHALL BE .005 TOTAL IN EXCESS OF THE "b" AND "b1" DIMENSION AT MAXIMUM MATERIAL CONDITION.
6. DATUMS -A- AND -B- TO BE DETERMINED AT DATUM PLANE -H-.
7. HATCHING REPRESENTS THE EXPOSED AREA OF THE HEAT SLUG.

DIM	INCH		MILLIMETER		DIM	INCH		MILLIMETER	
	MIN	MAX	MIN	MAX		MIN	MAX	MIN	MAX
A	.100	.104	2.54	2.64	L	.018	.024	0.46	0.61
A1	.001	.004	0.02	0.10	L1	.010 BSC		0.25 BSC	
A2	.099	.110	2.51	2.79	b	.154	.160	3.91	4.06
D	.712	.720	18.08	18.29	b1	.010	.016	0.25	0.41
D1	.688	.692	17.48	17.58	c1	.007	.011	.18	.28
D2	.011	.019	0.28	0.48	e	.020 BSC		0.51 BSC	
D3	.600	---	15.24	---	e1	.040 BSC		1.02 BSC	
E	.429	.437	10.9	11.1	e2	.1105 BSC		2.807 BSC	
E1	.353	.357	8.97	9.07	t	2'	8'	2'	8'
E2	.132	.140	3.35	3.56					
E3	.124	.132	3.15	3.35	aaa	.004		.10	
E4	.270	---	6.86	---					
E5	.346	.350	8.79	8.89					
© FREESCALE SEMICONDUCTOR, INC. ALL RIGHTS RESERVED.			MECHANICAL OUTLINE			PRINT VERSION NOT TO SCALE			
TITLE: TO-270 WIDE BODY 14 LEAD GULL WING					DOCUMENT NO: 98ASA10653D			REV: A	
					CASE NUMBER: 1621-02			19 JUN 2007	
					STANDARD: NON-JEDEC				

## PRODUCT DOCUMENTATION, SOFTWARE AND TOOLS

Refer to the following documents, software and tools to aid your design process.

### Application Notes

- AN1907: Solder Reflow Attach Method for High Power RF Devices in Over-Molded Plastic Packages
- AN1955: Thermal Measurement Methodology of RF Power Amplifiers
- AN1977: Quiescent Current Thermal Tracking Circuit in the RF Integrated Circuit Family
- AN1987: Quiescent Current Control for the RF Integrated Circuit Device Family
- AN3789: Clamping of High Power RF Transistors and RFICs in Over-Molded Plastic Packages

### Engineering Bulletins

- EB212: Using Data Sheet Impedances for RF LDMOS Devices

### Software

- Electromigration MTTF Calculator
- RF High Power Model
- .s2p File

### Development Tools

- Printed Circuit Boards

For Software and Tools, do a Part Number search at <http://www.freescale.com>, and select the “Part Number” link. Go to the Software & Tools tab on the part’s Product Summary page to download the respective tool.

## REVISION HISTORY

The following table summarizes revisions to this document.

Revision	Date	Description
0	Apr. 2013	<ul style="list-style-type: none"><li>• Initial Release of Data Sheet</li></ul>

### ***How to Reach Us:***

**Home Page:**  
[freescale.com](http://freescale.com)

**Web Support:**  
[freescale.com/support](http://freescale.com/support)

Information in this document is provided solely to enable system and software implementers to use Freescale products. There are no express or implied copyright licenses granted hereunder to design or fabricate any integrated circuits based on the information in this document.

Freescale reserves the right to make changes without further notice to any products herein. Freescale makes no warranty, representation, or guarantee regarding the suitability of its products for any particular purpose, nor does Freescale assume any liability arising out of the application or use of any product or circuit, and specifically disclaims any and all liability, including without limitation consequential or incidental damages. "Typical" parameters that may be provided in Freescale data sheets and/or specifications can and do vary in different applications, and actual performance may vary over time. All operating parameters, including "typicals," must be validated for each customer application by customer's technical experts. Freescale does not convey any license under its patent rights nor the rights of others. Freescale sells products pursuant to standard terms and conditions of sale, which can be found at the following address: [freescale.com/SalesTermsandConditions](http://freescale.com/SalesTermsandConditions).

Freescale and the Freescale logo are trademarks of Freescale Semiconductor, Inc., Reg. U.S. Pat. & Tm. Off. All other product or service names are the property of their respective owners.

© 2013 Freescale Semiconductor, Inc.

