

MC68L300*Technical Supplement***16.78 MHz Electrical Characteristics**

Devices in the M68300 Modular Microcontroller Family are built up from a selection of standard functional modules. The MC68331 and MC68332 contain the same central processing unit (CPU32) and system integration module (SIM), and thus have similar electrical characteristics.

M68300 devices that operate at 3.3 volts are now available. This publication contains electrical characteristics that supplement the *MC68331 User's Manual* (MC68331UM/AD) and the *MC68332 User's Manual* (MC68332UM/AD).

MC68L331 and MC68L332 are currently offered for operation in external clock mode only.

Enhanced versions of the MC68331 and MC68332 will offer extended V_{DD} operating range, PLL, 5 volt tolerant I/O, and higher frequency.



Freescale Semiconductor, Inc.

TABLE OF CONTENTS

| | |
|--|----|
| Maximum Ratings | 3 |
| MC68L331 Typical Ratings | 3 |
| MC68L332 Typical Ratings | 4 |
| Thermal Characteristics | 4 |
| 16.78 MHz DC Characteristics | 5 |
| 16.78 MHz AC Timing | 7 |
| Background Debugging Mode Timing | 17 |
| ECLK Bus Timing | 18 |
| QSPI Timing | 19 |
| Time Processor Unit Timing | 22 |
| General-Purpose Timer AC Characteristics | 23 |

Table 1 Maximum Ratings

| Num | Rating | Symbol | Value | Unit |
|-----|---|-----------|------------------------------|--------------------|
| 1 | Supply Voltage ^{1,2,3} | V_{DD} | - 0.3 to + 6.5 | V |
| 2 | Input Voltage ^{1,2,3,4,5,7} | V_{IN} | - 0.3 to + 6.5 | V |
| 3 | Instantaneous Maximum Current Single Pin Limit (all pins) ^{1,3,5,6} | I_D | 25 | mA |
| 4 | Operating Maximum Current Digital Input Disruptive Current ^{3,5,6,7,8} $V_{NEGCLAMP} \cong -0.3\text{ V}$ $V_{POSCLAMP} \cong V_{DD} + 0.3$ | I_{id} | - 500 to 500 | μA |
| 5 | Operating Temperature Range C Suffix | T_A | T_L to T_H - 40 to 85 | $^{\circ}\text{C}$ |
| 6 | Storage Temperature Range | T_{stg} | - 55 to 150 | $^{\circ}\text{C}$ |

NOTES:

1. Permanent damage can occur if maximum ratings are exceeded. Exposure to voltages or currents in excess of recommended values affects device reliability. Device modules may not operate normally while being exposed to electrical extremes.
2. Although sections of the device contain circuitry to protect against damage from high static voltages or electrical fields, take normal precautions to avoid exposure to voltages higher than maximum-rated voltages.
3. This parameter is periodically sampled rather than 100% tested.
4. All pins except TSC.
5. Input must be current limited to the value specified. To determine the value of the required current-limiting resistor, calculate resistance values for positive and negative clamp voltages, then use the larger of the two values.
6. Power supply must maintain regulation within operating V_{DD} range during instantaneous and operating maximum current.
7. All functional non-supply pins are internally clamped to V_{SS} . All functional pins except EXTAL and XFC are internally clamped to V_{DD} .
8. Total input current for all digital input-only and all digital input/output pins must not exceed 10 mA. Exceeding this limit can cause disruption of normal operation.

Table 2 MC68L331 Typical Ratings

| Num | Rating | Symbol | Value | Unit |
|-----|---|-------------|-----------|--------------------------------|
| 1 | Supply Voltage | V_{DD} | 3.3 | V |
| 2 | Operating Temperature | T_A | 25 | $^{\circ}\text{C}$ |
| 3 | V_{DD} Supply Current RUN LPSTOP, External clock, max f_{sys} | I_{DD} | 38 1.0 | mA mA |
| 4 | Clock Synthesizer Operating Voltage | V_{DDSYN} | 3.3 | V |
| 5 | V_{DDSYN} Supply Current External Clock, maximum f_{sys} | I_{DDSYN} | 1.5 | mA |
| 6 | RAM Standby Current Normal RAM operation Standby operation | I_{SB} | 3.0 10 | μA μA |
| 7 | Power Dissipation | P_D | 125.0 | mW |

Table 3 MC68L332 Typical Ratings

| Num | Rating | Symbol | Value | Unit |
|-----|---|-------------|-----------|--------------------|
| 1 | Supply Voltage | V_{DD} | 3.3 | V |
| 2 | Operating Temperature | T_A | 25 | °C |
| 3 | V_{DD} Supply Current RUN LPSTOP, External clock, max f_{sys} | I_{DD} | 45 1.0 | mA mA |
| 4 | Clock Synthesizer Operating Voltage | V_{DDSYN} | 3.3 | V |
| 5 | V_{DDSYN} Supply Current External Clock, maximum f_{sys} | I_{DDSYN} | 2.0 | mA |
| 6 | RAM Standby Current Normal RAM operation Standby operation | I_{SB} | 3.0 10 | μ A μ A |
| 7 | Power Dissipation | P_D | 148.0 | mW |

Table 4 Thermal Characteristics

| Num | Rating | Symbol | Value | Unit |
|-----|--|---------------|----------|------|
| 1 | Thermal Resistance Plastic 132-Pin Surface Mount Plastic 144-Pin Surface Mount | Θ_{JA} | 38 49 | °C/W |

The average chip-junction temperature (T_J) in C can be obtained from:

$$T_J = T_A + (P_D \times \Theta_{JA}) \quad (1)$$

where:

T_A = Ambient Temperature, °C

Θ_{JA} = Package Thermal Resistance, Junction-to-Ambient, °C/W

$P_D = P_{INT} + P_{I/O}$

$P_{INT} = I_{DD} \times V_{DD}$, Watts — Chip Internal Power

$P_{I/O}$ = Power Dissipation on Input and Output Pins — User Determined

For most applications $P_{I/O} < P_{INT}$ and can be neglected. An approximate relationship between P_D and T_J (if $P_{I/O}$ is neglected) is:

$$P_D = K \div (T_J + 273^\circ\text{C}) \quad (2)$$

Solving equations 1 and 2 for K gives:

$$K = P_D + (T_A + 273^\circ\text{C}) + \Theta_{JA} \times P_D^2 \quad (3)$$

where K is a constant pertaining to the particular part. K can be determined from equation (3) by measuring P_D (at equilibrium) for a known T_A . Using this value of K, the values of P_D and T_J can be obtained by solving equations (1) and (2) iteratively for any value of T_A .

Table 5 16.78 MHz DC Characteristics

(V_{DD} and $V_{DDSYN} = 3.0$ to 3.6 Vdc, $V_{SS} = 0$ Vdc, $T_A = T_L$ to T_H)

| Num | Characteristic | Symbol | Min | Max | Unit |
|-----|--|-------------|------------------|-------------------------|--------------------------|
| 1 | Input High Voltage | V_{IH} | 0.7 (V_{DD}) | $V_{DD} + 0.3$ | V |
| 2 | Input Low Voltage | V_{IL} | $V_{SS} - 0.3$ | 0.2 (V_{DD}) | V |
| 3 | Input Hysteresis ¹ | V_{HYS} | 0.5 | — | V |
| 4 | Input Leakage Current ² $V_{in} = V_{DD}$ or V_{SS} Input-only pins | I_{in} | -2.5 | 2.5 | μ A |
| 5 | High Impedance (Off-State) Leakage Current ² $V_{in} = V_{DD}$ or V_{SS} All input/output and output pins | I_{OZ} | -2.5 | 2.5 | μ A |
| 6 | CMOS Output High Voltage ^{2, 3} $I_{OH} = -10.0 \mu$ A Group 1, 2, 4 input/output and all output pins | V_{OH} | $V_{DD} - 0.2$ | — | V |
| 7 | CMOS Output Low Voltage ² $I_{OL} = 10.0 \mu$ A Group 1, 2, 4 input/output and all output pins | V_{OL} | — | 0.2 | V |
| 8 | Output High Voltage ^{2, 3} $I_{OH} = -0.4$ mA Group 1, 2, 4 input/output and all output pins | V_{OH} | $V_{DD} - 0.5$ | — | V |
| 9 | Output Low Voltage ² $I_{OL} = 0.8$ mA Group 1 I/O pins CLKOUT, FREEZE/QUOT, IPIPE/DSO $I_{OL} = 2.6$ mA Group 2 and group 4 I/O pins, CSBOOT, BG/CS1 $I_{OL} = 6.0$ mA Group 3 | V_{OL} | — — — | 0.4 0.4 0.4 | V |
| 10 | Three State Control Input High Voltage | V_{IHTSC} | 2.4 (V_{DD}) | 9.1 | V |
| 11 | Data Bus Mode Select Pull-up Current ⁴ $V_{in} = V_{IL}$ $V_{in} = V_{IH}$ | I_{MSP} | — -8 | -95 — | μ A |
| 12A | MC68331 V_{DD} Supply Current ⁵ Run LPSTOP, external clock input = max f_{sys} | I_{DD} | — — | 49 2 | mA mA |
| 12B | MC68332 V_{DD} Supply Current ⁵ Run LPSTOP, external clock input = max f_{sys} | I_{DD} | — — | 56 2 | mA mA |
| 13 | Clock Synthesizer Operating Voltage | V_{DDSYN} | 3.0 | 3.6 | V |
| 14 | V_{DDSYN} Supply Current External Clock, maximum f_{sys} | I_{DDSYN} | — | 3 | mA |
| 15 | MC68332 RAM Standby Voltage Specified V_{DD} applied $V_{DD} = V_{SS}$ | V_{SB} | 0.0 2.7 | V_{DD} 3.6 | V |
| 16 | MC68332 RAM Standby Current ^{6, 7} Normal RAM operation $V_{DD} > V_{SB} - 0.5$ V Transient condition $V_{SB} - 0.5$ V $\geq V_{DD} \geq V_{SS} + 0.5$ V Standby operation $V_{DD} < V_{SS} + 0.5$ V | I_{SB} | — — — | 10 3 50 | μ A mA μ A |
| 17A | MC68331 Power Dissipation ⁸ | P_D | — | 187 | mW |
| 17B | MC68332 Power Dissipation | P_D | — | 212 | mW |
| 18 | Input Capacitance ^{2, 9} All input-only pins All input/output pins | C_{in} | — — | 10 20 | pF |
| 19 | Load Capacitance ² Group 1 I/O Pins, CLKOUT, FREEZE/QUOT, IPIPE Group 2 I/O Pins and CSBOOT, BG/CS Group 3 I/O Pins Group 4 I/O Pins | C_L | — — — — | 90 100 100 100 | pF |

NOTES:

1. Applies to:
QSM pins
 $\overline{\text{IRQ}}[7:1]$, $\overline{\text{RESET}}$, $\overline{\text{EXTAL}}$, $\overline{\text{TSC}}$, $\overline{\text{RMC}}$, $\overline{\text{BKPT/DSCLK}}$, $\overline{\text{IFETCH/DSI}}$
2. Input-Only Pins: $\overline{\text{TSC}}$, $\overline{\text{BKPT/DSCLK}}$, $\overline{\text{RXD}}$
Output-Only Pins: $\overline{\text{CSBOOT}}$, $\overline{\text{BG/CS}}$, $\overline{\text{CLKOUT}}$, $\overline{\text{FREEZE/QUOT}}$, $\overline{\text{IPIPE/DSO}}$
Input/Output Pins:
Group 1: $\text{DATA}[15:0]$, $\overline{\text{IFETCH/DSI}}$
Group 2: $\text{ADDR}[23:19]/\overline{\text{CS}}[10:6]$, $\text{FC}[2:0]/\overline{\text{CS}}[5:3]$, $\overline{\text{DSACK}}[1:0]$, $\overline{\text{AVEC}}$, $\overline{\text{RMC}}$, $\overline{\text{DS}}$, $\overline{\text{AS}}$, $\text{SIZ}[1:0]$
 $\overline{\text{IRQ}}[7:1]$, $\overline{\text{MODCLK}}$, $\text{ADDR}[18:0]$, $\text{R}/\overline{\text{W}}$, $\overline{\text{BERR}}$, $\overline{\text{BR/CS0}}$, $\overline{\text{BGACK/CS2}}$, $\text{PCS}[3:1]$, PCS0/SS , $\overline{\text{TXD}}$
Group 3: $\overline{\text{HALT}}$, $\overline{\text{RESET}}$
Group 4: $\overline{\text{MISO}}$, $\overline{\text{MOSI}}$, $\overline{\text{SCK}}$
3. Does not apply to $\overline{\text{HALT}}$ and $\overline{\text{RESET}}$ because they are open drain pins.
Does not apply to Port QS[7:0] ($\overline{\text{TXD}}$, $\text{PCS}[3:1]$, PCS0/SS , $\overline{\text{SCK}}$, $\overline{\text{MOSI}}$, $\overline{\text{MISO}}$) in wired-OR mode.
4. Current measured at maximum system clock frequency.
5. Total operating current is the sum of the appropriate V_{DD} supply and V_{DDSYN} supply current.
6. When V_{SB} is more than 0.3V greater than V_{DD} , current flows between the V_{STBY} and V_{DD} pins, which causes standby current to increase toward the maximum condition specification. System noise on the V_{DD} and V_{STBY} pin can contribute to this condition.
7. The SRAM module will not switch into standby mode as long as V_{SB} does not exceed V_{DD} by more than 0.5 volts. The SRAM array cannot be accessed while the module is in standby mode.
8. Power dissipation measured at specified system clock frequency. Power dissipation can be calculated using the expression:
$$P_D = 3.6V (I_{\text{DDSYN}} + I_{\text{DD}})$$
9. Input capacitance is periodically sampled rather than 100% tested.

Table 6 16.78 MHz AC Timing

(V_{DD} and $V_{DDSYN} = 3.0$ to 3.6 Vdc, $V_{SS} = 0$ Vdc, $T_A = T_L$ to T_H)¹

| Num | Characteristic | Symbol | Min | Max | Unit |
|--------|--|-------------|------|-------|-----------|
| F1 | Frequency of Operation | f_{sys} | — | 16.78 | MHz |
| 1 | Clock Period | t_{cyc} | 59.6 | — | ns |
| 1A | ECLK Period | t_{Ecyc} | 476 | — | ns |
| 1B | External Clock Input Period ² | t_{Xcyc} | 59.6 | — | ns |
| 2, 3 | Clock Pulse Width | t_{CW} | 24 | — | ns |
| 2A, 3A | ECLK Pulse Width | t_{ECW} | 236 | — | ns |
| 2B, 3B | External Clock Input High/Low Time ² | t_{XCHL} | 29.8 | — | ns |
| 4, 5 | CLKOUT Rise and Fall Time | t_{Crf} | — | 7 | ns |
| 4A, 5A | Rise and Fall Time (All outputs except CLKOUT) | t_{rf} | — | 8 | ns |
| 4B, 5B | External Clock Input Rise and Fall Time | t_{XCrf} | — | 4 | ns |
| 6 | Clock High to ADDR, FC, \overline{RMC} , SIZ Valid | t_{CHAV} | 0 | 29 | ns |
| 7 | Clock High to ADDR, Data, FC, \overline{RMC} , SIZ High Impedance | t_{CHAZx} | 0 | 59 | ns |
| 8 | Clock High to ADDR, FC, RMC, SIZ Invalid | t_{CHAZn} | 0 | — | ns |
| 9 | Clock Low to \overline{AS} , \overline{DS} , \overline{CS} Asserted | t_{CLSA} | 0 | 25 | ns |
| 9A | \overline{AS} to \overline{DS} or \overline{CS} Asserted (Read) ³ | t_{STSA} | -15 | 15 | ns |
| 9C | Clock Low to \overline{IFETCH} , \overline{IPIPE} Asserted | t_{CLIA} | 2 | 22 | ns |
| 11 | ADDR, FC, \overline{RMC} , SIZ Valid to \overline{AS} , \overline{CS} , (and \overline{DS} Read) Asserted | t_{AVSA} | 15 | — | ns |
| 12 | Clock Low to \overline{AS} , \overline{DS} , \overline{CS} Negated | t_{CLSN} | 2 | 29 | ns |
| 12A | Clock Low to \overline{IFETCH} , \overline{IPIPE} Negated | t_{CLIN} | 2 | 29 | ns |
| 13 | \overline{AS} , \overline{DS} , \overline{CS} Negated to ADDR, FC, SIZ Invalid (Address Hold) | t_{SNAI} | 15 | — | ns |
| 14 | \overline{AS} , \overline{CS} (and \overline{DS} Read) Width Asserted | t_{SWA} | 100 | — | ns |
| 14A | \overline{DS} , \overline{CS} Width Asserted (Write) | t_{SWAW} | 45 | — | ns |
| 14B | \overline{AS} , \overline{CS} (and \overline{DS} Read) Width Asserted (Fast Cycle) | t_{SWDW} | 40 | — | ns |
| 15 | \overline{AS} , \overline{DS} , \overline{CS} Width Negated ⁴ | t_{SN} | 40 | — | ns |
| 16 | Clock High to \overline{AS} , \overline{DS} , $\overline{R/W}$ High Impedance | t_{CHSZ} | — | 59 | ns |
| 17 | \overline{AS} , \overline{DS} , \overline{CS} Negated to $\overline{R/W}$ High | t_{SNRN} | 15 | — | ns |
| 18 | Clock High to $\overline{R/W}$ High | t_{CHRH} | 0 | 29 | ns |
| 20 | Clock High to $\overline{R/W}$ Low | t_{CHRL} | 0 | 29 | ns |
| 21 | $\overline{R/W}$ High to \overline{AS} , \overline{CS} Asserted | t_{RAAA} | 15 | — | ns |
| 22 | $\overline{R/W}$ Low to \overline{DS} , \overline{CS} Asserted (Write) | t_{RASA} | 70 | — | ns |
| 23 | Clock High to Data Out Valid | t_{CHDO} | — | 29 | ns |
| 24 | Data Out Valid to Negating Edge of \overline{AS} , \overline{CS} (Fast Write Cycle) | t_{DVASN} | 15 | — | ns |
| 25 | \overline{DS} , \overline{CS} Negated to Data Out Invalid (Data Out Hold) | t_{SNDOI} | 15 | — | ns |
| 26 | Data Out Valid to \overline{DS} , \overline{CS} Asserted (Write) | t_{DVSA} | 15 | — | ns |
| 27 | Data In Valid to Clock Low (Data Setup) | t_{DICL} | 5 | — | ns |
| 27A | Late \overline{BERR} , \overline{HALT} Asserted to Clock Low (Setup Time) | t_{BELCL} | 20 | — | ns |
| 28 | \overline{AS} , \overline{DS} Negated to $\overline{DSACK}[1:0]$, \overline{BERR} , \overline{HALT} , \overline{AVEC} Negated | t_{SNDN} | 0 | 80 | ns |
| 29 | \overline{DS} , \overline{CS} Negated to Data In Invalid (Data In Hold) ⁵ | t_{SNDI} | 0 | — | ns |
| 29A | \overline{DS} , \overline{CS} Negated to Data In High Impedance ^{5, 6} | t_{SHDI} | — | 55 | ns |
| 30 | CLKOUT Low to Data In Invalid (Fast Cycle Hold) ⁵ | t_{CLDI} | 10 | — | ns |
| 30A | CLKOUT Low to Data In High Impedance ⁵ | t_{CLDH} | — | 90 | ns |
| 31 | $\overline{DSACK}[1:0]$ Asserted to Data In Valid ⁷ | t_{DADI} | — | 50 | ns |
| 33 | Clock Low to \overline{BG} Asserted/Negated | t_{CLBAN} | — | 29 | ns |
| 35 | \overline{BR} Asserted to \overline{BG} Asserted (\overline{RMC} not Asserted) ⁸ | t_{BRAGA} | 1 | — | t_{cyc} |
| 37 | \overline{BGACK} Asserted to \overline{BG} Negated | t_{GAGN} | 1 | 2 | t_{cyc} |
| 39 | \overline{BG} Width Negated | t_{GH} | 2 | — | t_{cyc} |
| 39A | \overline{BG} Width Asserted | t_{GA} | 1 | — | t_{cyc} |
| 46 | $\overline{R/W}$ Width Asserted (Write or Read) | t_{RWA} | 150 | — | ns |

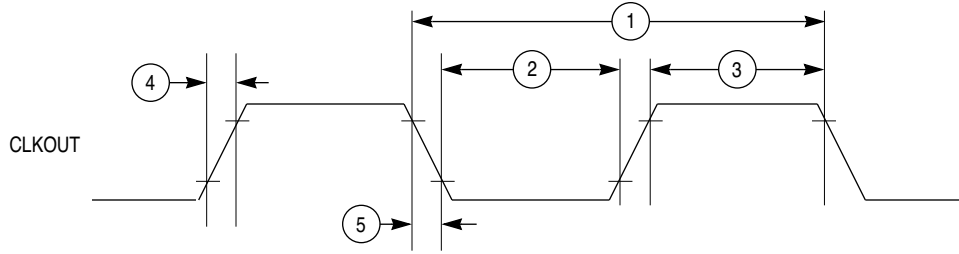
Table 6 16.78 MHz AC Timing (Continued)

(V_{DD} and $V_{DDSYN} = 3.0$ to 3.6 Vdc, $V_{SS} = 0$ Vdc, $T_A = T_L$ to T_H)¹

| Num | Characteristic | Symbol | Min | Max | Unit |
|-----|--|-------------|-----|-----|-----------|
| 46A | R/W Width Asserted (Fast Write or Read Cycle) | t_{RWAS} | 90 | — | ns |
| 47A | Asynchronous Input Setup Time BR, BGACK, DSACK[1:0], BERR, AVEC, HALT | t_{AIST} | 5 | — | ns |
| 47B | Asynchronous Input Hold Time | t_{AIHT} | 15 | — | ns |
| 48 | $\overline{DSACK}[1:0]$ Asserted to BERR, HALT Asserted ⁹ | t_{DABA} | — | 30 | ns |
| 53 | Data Out Hold from Clock High | t_{DOCH} | 0 | — | ns |
| 54 | Clock High to Data Out High Impedance | t_{CHDH} | — | 28 | ns |
| 55 | R/W Asserted to Data Bus Impedance Change | t_{RADC} | 40 | — | ns |
| 70 | Clock Low to Data Bus Driven (Show Cycle) | t_{SCLDD} | 0 | 29 | ns |
| 71 | Data Setup Time to Clock Low (Show Cycle) | t_{SCLDS} | 15 | — | ns |
| 72 | Data Hold from Clock Low (Show Cycle) | t_{SCLDH} | 10 | — | ns |
| 73 | \overline{BKPT} Input Setup Time | t_{BKST} | 15 | — | ns |
| 74 | \overline{BKPT} Input Hold Time | t_{BKHT} | 10 | — | ns |
| 75 | Mode Select Setup Time | t_{MSS} | 20 | — | t_{cyc} |
| 76 | Mode Select Hold Time | t_{MSH} | 0 | — | ns |
| 77 | \overline{RESET} Assertion Time ¹⁰ | t_{RSTA} | 4 | — | t_{cyc} |
| 78 | \overline{RESET} Rise Time ^{11,12} | t_{RSTR} | — | 10 | t_{cyc} |

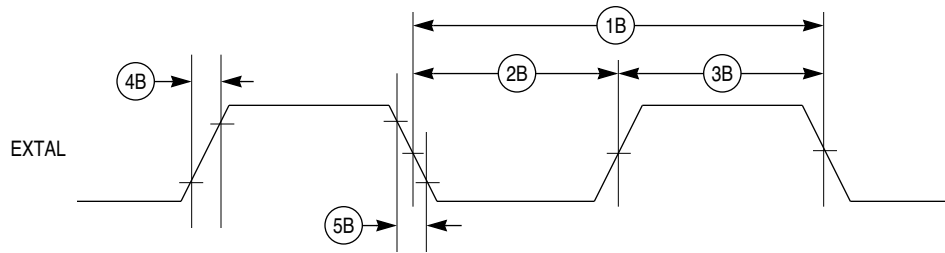
NOTES:

- All AC timing is shown with respect to 20% V_{DD} and 70% V_{DD} levels unless otherwise noted.
- When an external clock is used, minimum high and low times are based on a 50% duty cycle. The minimum allowable t_{xcyc} period is reduced when the duty cycle of the external clock varies. The relationship between external clock input duty cycle and minimum t_{xcyc} is expressed:
Minimum t_{xcyc} period = minimum $t_{xchl} / (50\% - \text{external clock input duty cycle tolerance})$.
- Specification 9A is the worst-case skew between \overline{AS} and \overline{DS} or \overline{CS} . The amount of skew depends on the relative loading of these signals. When loads are kept within specified limits, skew will not cause \overline{AS} and \overline{DS} to fall outside the limits shown in specification 9.
- If multiple chip selects are used, \overline{CS} width negated (specification 15) applies to the time from the negation of a heavily loaded chip select to the assertion of a lightly loaded chip select. The \overline{CS} width negated specification between multiple chip selects does not apply to chip selects being used for synchronous ECLK cycles.
- Hold times are specified with respect to \overline{DS} or \overline{CS} on asynchronous reads and with respect to CLKOUT on fast cycle reads. The user is free to use either hold time.
- Maximum value is equal to $(t_{cyc} / 2) + 25$ ns.
- If the asynchronous setup time (specification 47A) requirements are satisfied, the $\overline{DSACK}[1:0]$ low to data setup time (specification 31) and $\overline{DSACK}[1:0]$ low to BERR low setup time (specification 48) can be ignored. The data must only satisfy the data-in to clock low setup time (specification 27) for the following clock cycle. BERR must satisfy only the late \overline{BERR} low to clock low setup time (specification 27A) for the following clock cycle.
- To ensure coherency during every operand transfer, \overline{BG} is not asserted in response to \overline{BR} until after all cycles of the current operand transfer are complete.
- In the absence of $\overline{DSACK}[1:0]$, \overline{BERR} is an asynchronous input using the asynchronous setup time (specification 47A).
- After external \overline{RESET} negation is detected, a short transition period (approximately 2) t_{cyc} elapses, then the SIM drives \overline{RESET} low for 512 t_{cyc} .
- External assertion of the \overline{RESET} input can overlap internally-generated resets. To insure that an external reset is recognized in all cases, \overline{RESET} must be asserted for at least 590 CLKOUT cycles.
- External logic must pull \overline{RESET} high during this period in order for normal MCU operation to begin.



68300 CLKOUT TIM

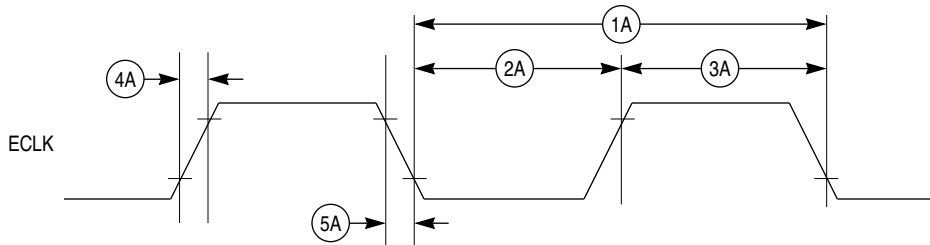
Figure 1 CLKOUT Output Timing Diagram



NOTE: TIMING SHOWN WITH RESPECT TO 20% AND 70% V_{DD} .
PULSE WIDTH SHOWN WITH RESPECT TO 50% V_{DD} .

68300 EXT CLK INPUT TIM

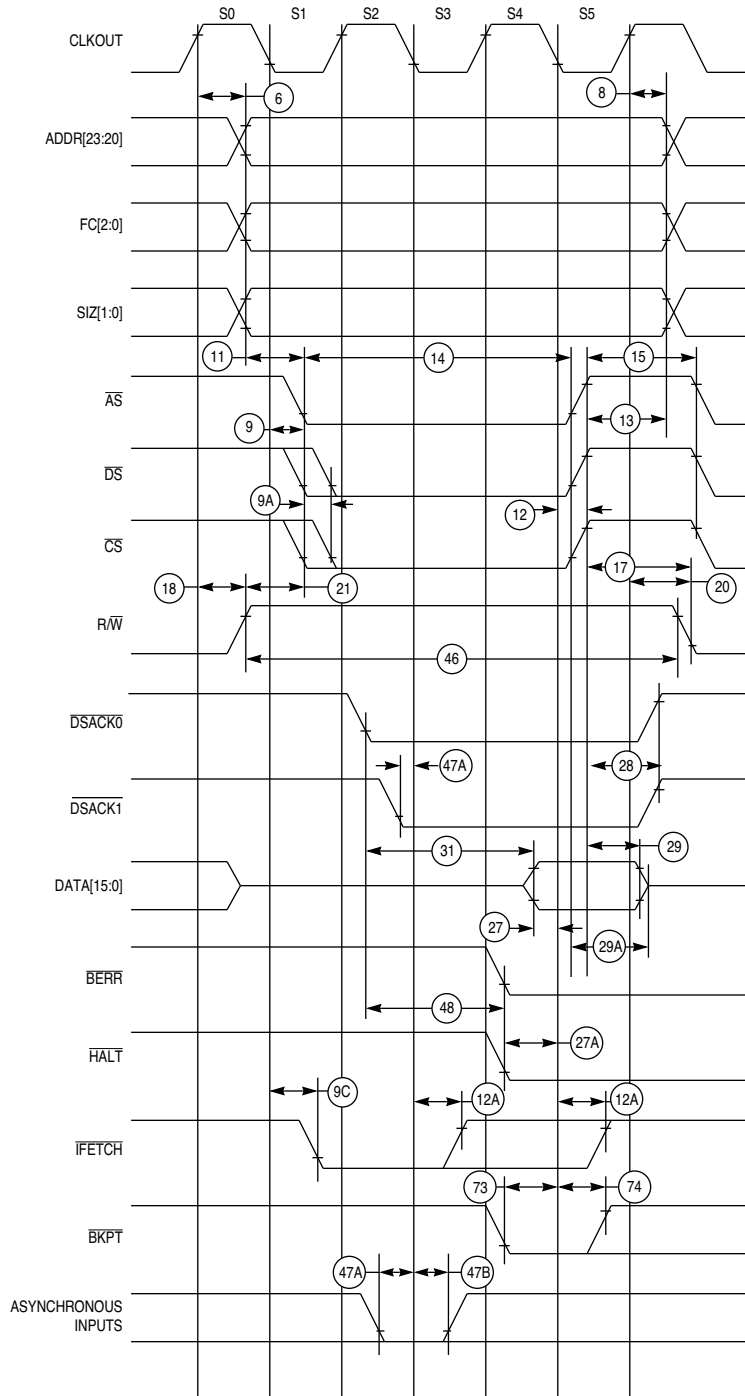
Figure 2 External Clock Input Timing Diagram



NOTE: TIMING SHOWN WITH RESPECT TO 20% AND 70% V_{DD} .

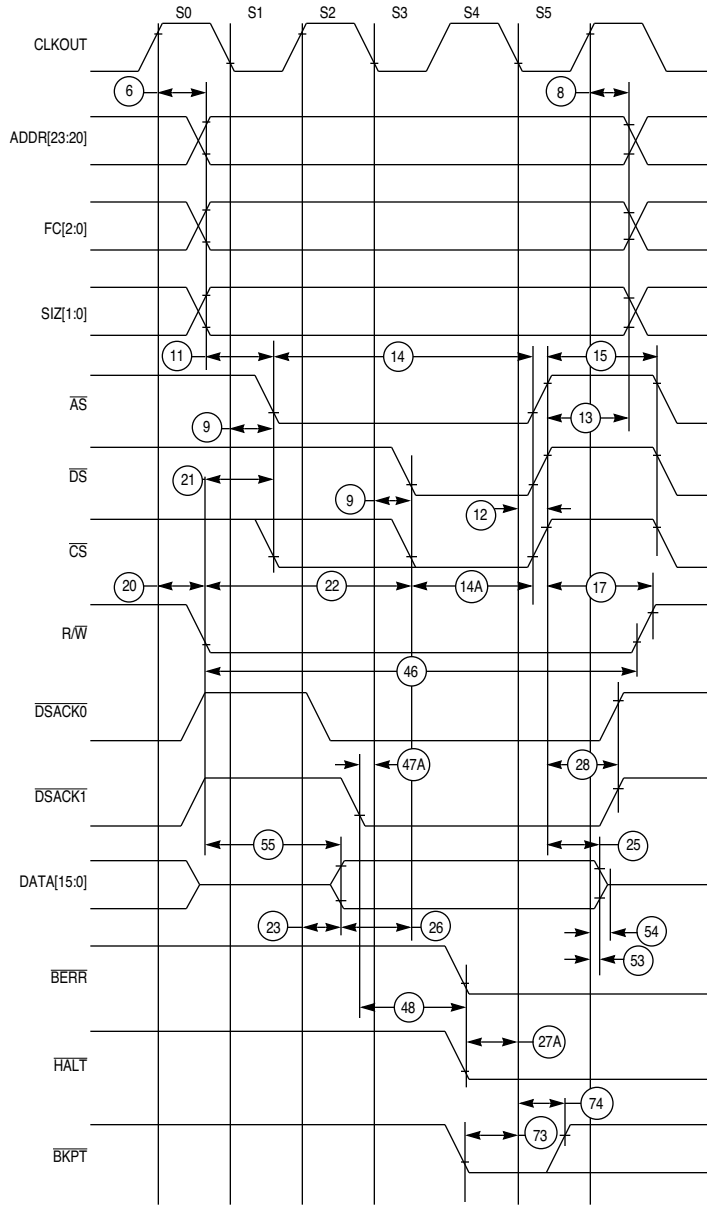
68300 ECLK OUTPUT TIM

Figure 3 ECLK Output Timing Diagram



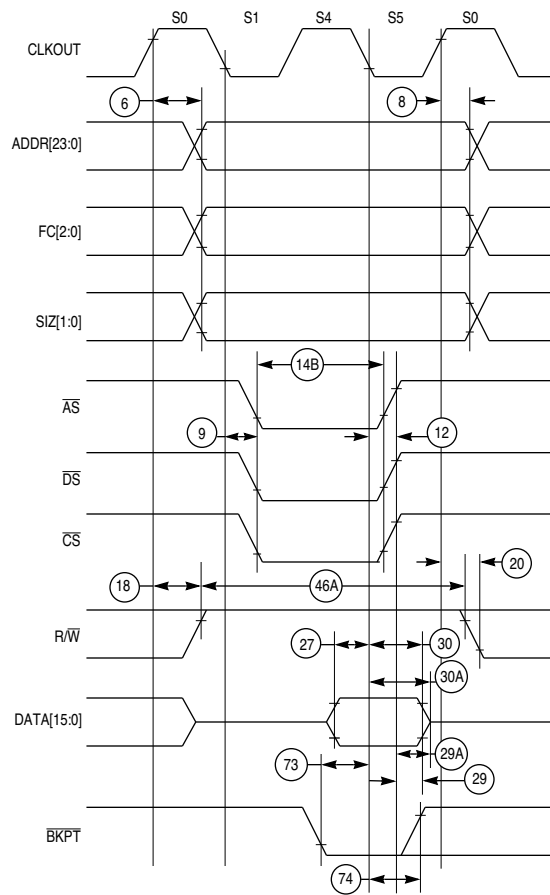
68300 RD CYC TIM

Figure 4 Read Cycle Timing Diagram



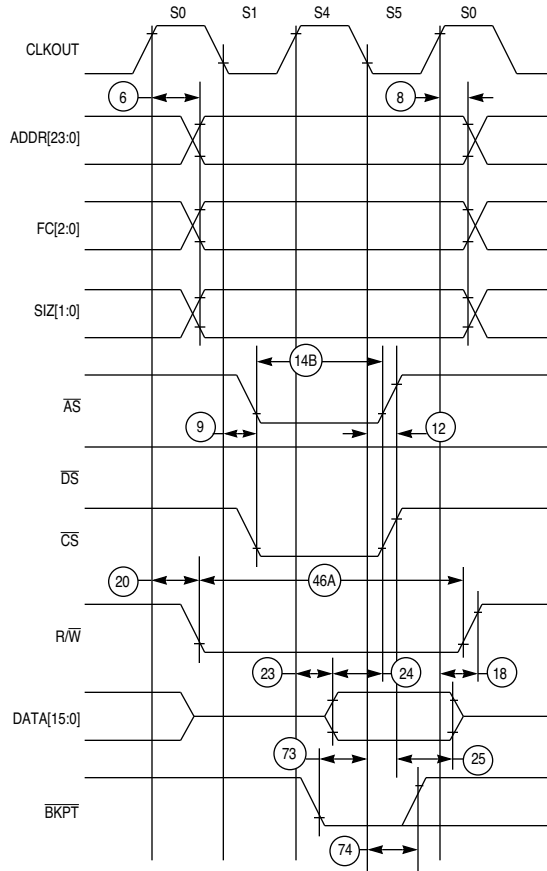
68300 WR CYC TIM

Figure 5 Write Cycle Timing Diagram



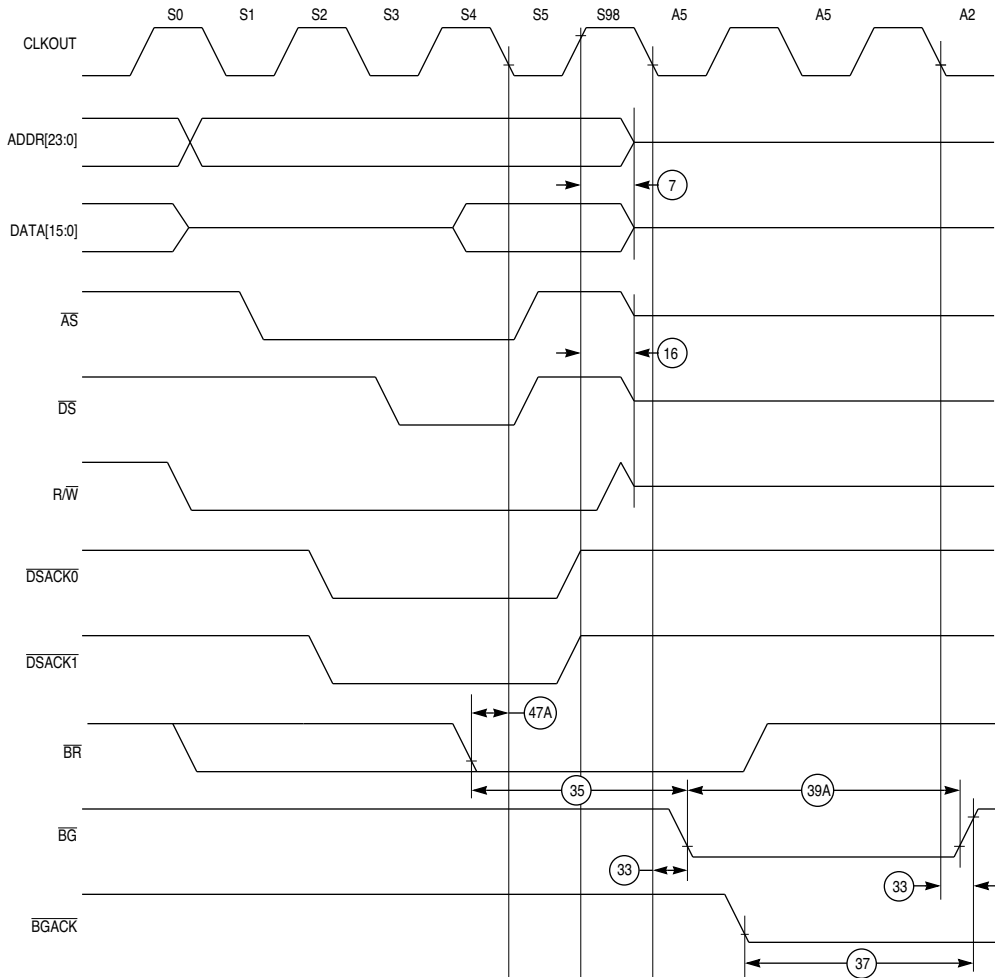
68300 FAST RD CYC TIM

Figure 6 Fast Termination Read Cycle Timing Diagram



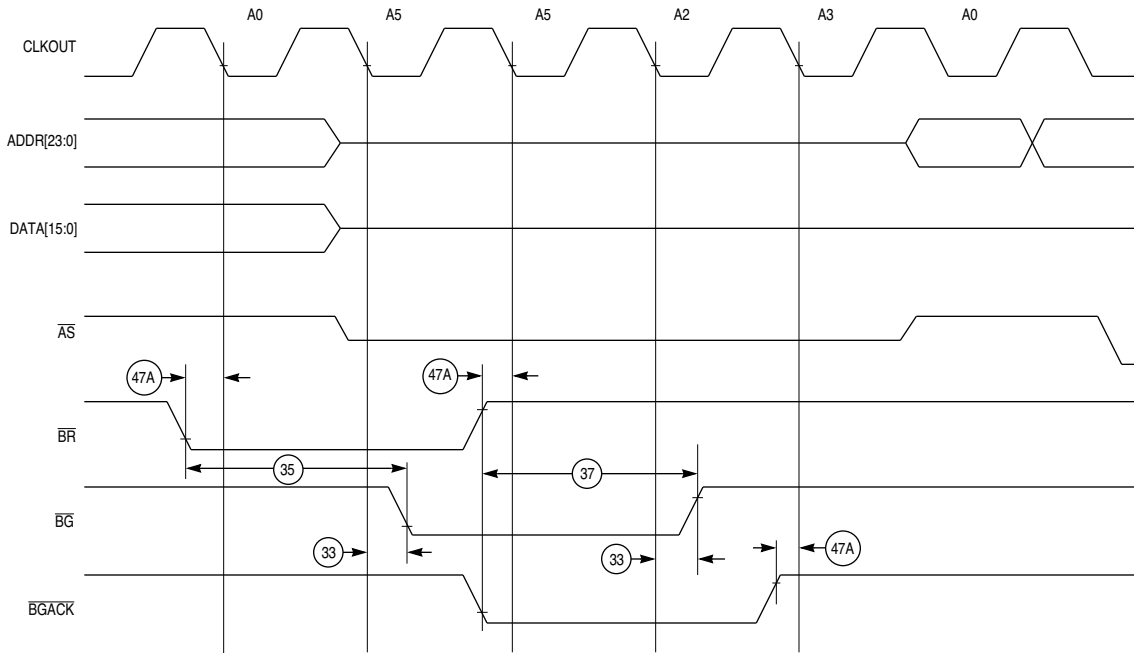
68300 FAST WR CYC TIM

Figure 7 Fast Termination Write Cycle Timing Diagram



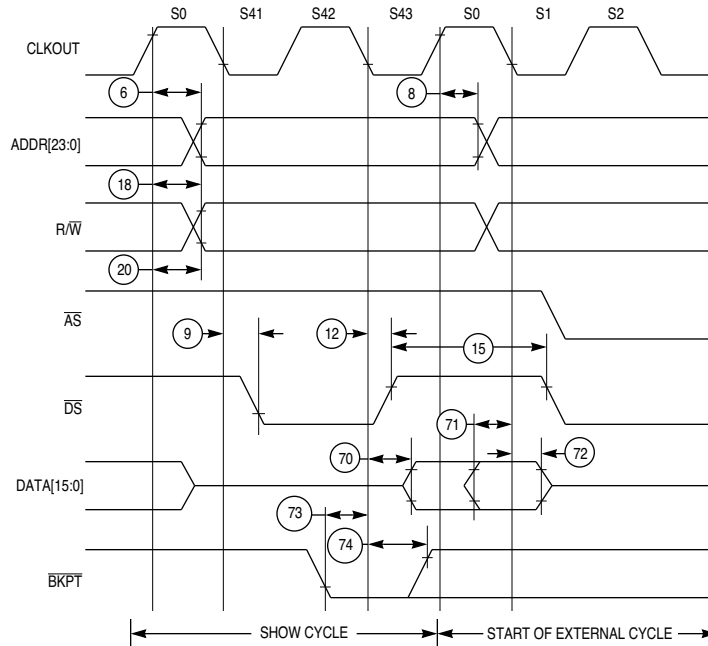
68300 BUS ARB TIM

Figure 8 Bus Arbitration Timing Diagram — Active Bus Case



68300 BUS ARB TIM IDLE

Figure 9 Bus Arbitration Timing Diagram — Idle Bus Case

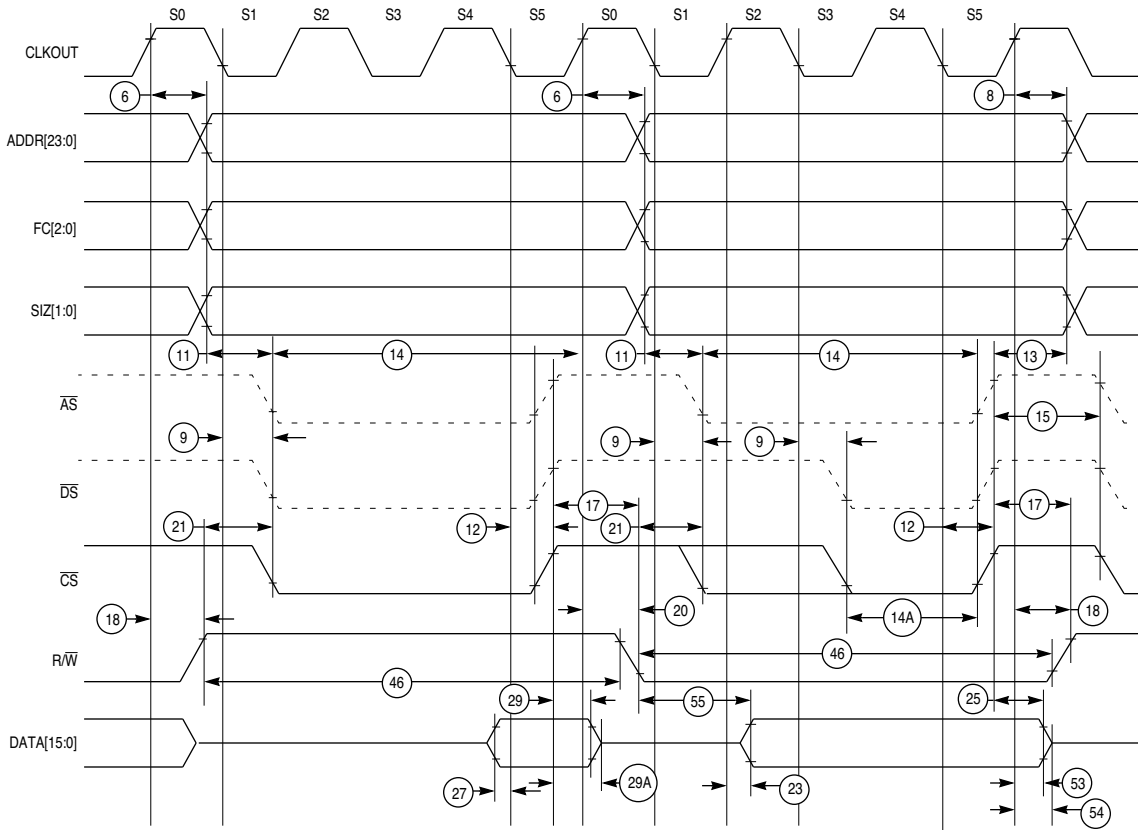


NOTE:

Show cycles can stretch during clock phase S42 when bus accesses take longer than two cycles due to IMB module wait-state insertion.

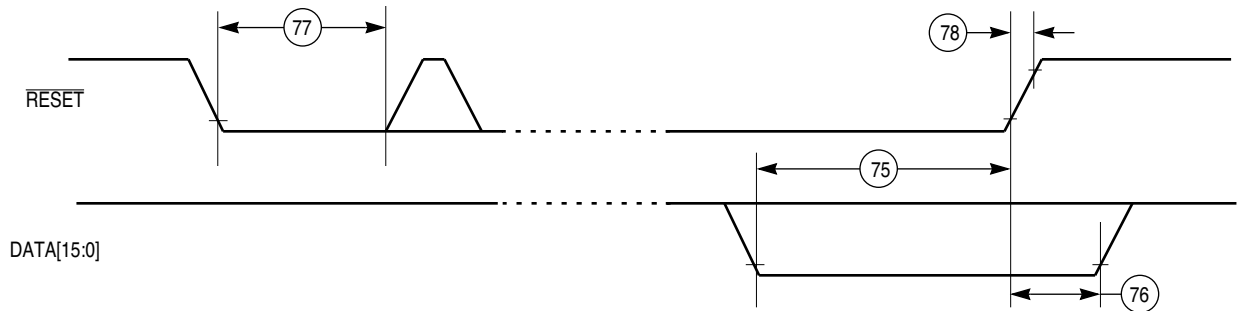
68300 SHW CYC TIM

Figure 10 Show Cycle Timing Diagram



68300 CHIP SEL TIM

Figure 11 Chip-Select Timing Diagram



68300 RST/MODE SEL TIM

Figure 12 Reset and Mode Select Timing Diagram

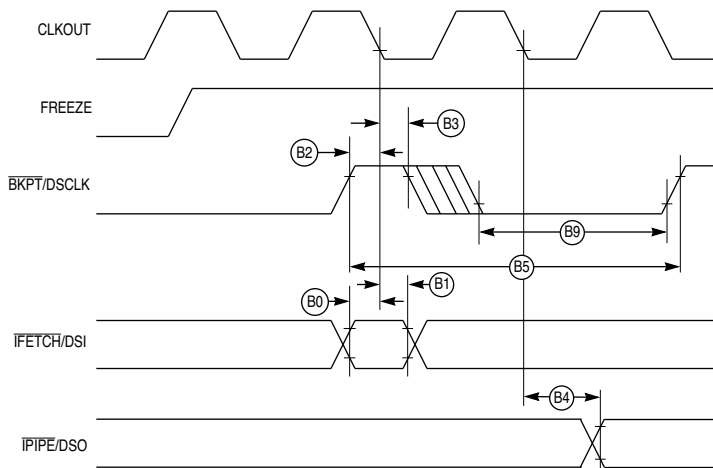
Table 7 Background Debugging Mode Timing

(V_{DD} and $V_{DDSYN} = 3.0$ to 3.6 Vdc, $V_{SS} = 0$ Vdc, $T_A = T_L$ to T_H)¹

| Num | Characteristic | Symbol | Min | Max | Unit |
|-----|---|--------------|-----|-----|-----------|
| B0 | DSI Input Setup Time | t_{DSISU} | 15 | — | ns |
| B1 | DSI Input Hold Time | t_{DSIH} | 10 | — | ns |
| B2 | DSCLK Setup Time | t_{DSCSU} | 15 | — | ns |
| B3 | DSCLK Hold Time | t_{DSCCH} | 10 | — | ns |
| B4 | DSO Delay Time | t_{DSOD} | — | 25 | ns |
| B5 | DSCLK Cycle Time | t_{DSCCYC} | 2 | — | t_{cyc} |
| B6 | CLKOUT Low to FREEZE Asserted/Negated | t_{FRZAN} | — | 50 | ns |
| B7 | CLKOUT High to \overline{IFETCH} High Impedance | t_{IPZ} | — | 50 | ns |
| B8 | CLKOUT High to \overline{IFETCH} Valid | t_{IP} | — | 50 | ns |
| B9 | DSCLK Low Time | t_{DSCLO} | 1 | — | t_{cyc} |

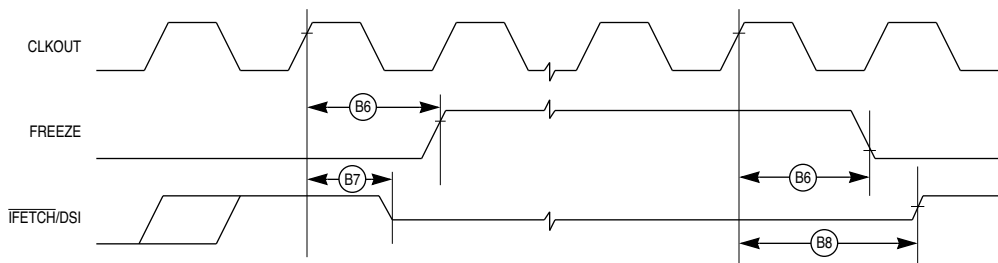
NOTES:

1. All AC timing is shown with respect to 20% V_{DD} and 70% V_{DD} levels unless otherwise noted.



68300 BKGD DBM SER COM TIM

Figure 13 BDM Serial Communication Timing Diagram



68300 BDM FRZ TIM

Figure 14 BDM Freeze Assertion Timing Diagram

Table 8 ECLK Bus Timing

(V_{DD} and $V_{DDSYN} = 3.0$ to 3.6 Vdc, $V_{SS} = 0$ Vdc, $T_A = T_L$ to T_H)¹

| Num | Characteristic | Symbol | Min | Max | Unit |
|-----|--|------------|-----|-----|-----------|
| E1 | ECLK Low to Address Valid ² | t_{EAD} | — | 60 | ns |
| E2 | ECLK Low to Address Hold | t_{EAH} | 15 | — | ns |
| E3 | ECLK Low to \overline{CS} Valid (\overline{CS} Delay) | t_{ECSD} | — | 150 | ns |
| E4 | ECLK Low to \overline{CS} Hold | t_{ECSH} | 15 | — | ns |
| E5 | \overline{CS} Negated Width | t_{ECSN} | 30 | — | ns |
| E6 | Read Data Setup Time | t_{EDSR} | 30 | — | ns |
| E7 | Read Data Hold Time | t_{EDHR} | 5 | — | ns |
| E8 | ECLK Low to Data High Impedance | t_{EDHZ} | — | 60 | ns |
| E9 | \overline{CS} Negated to Data Hold (Read) | t_{ECDH} | 0 | — | ns |
| E10 | \overline{CS} Negated to Data High Impedance | t_{ECDZ} | — | 1 | t_{cyc} |
| E11 | ECLK Low to Data Valid (Write) | t_{EDDW} | — | 2 | t_{cyc} |
| E12 | ECLK Low to Data Hold (Write) | t_{EDHW} | 15 | — | ns |
| E13 | Address Access Time (Read) ³ | t_{EACC} | 386 | — | ns |
| E14 | Chip-Select Access Time (Read) ⁴ | t_{EACS} | 296 | — | ns |
| E15 | Address Setup Time | t_{EAS} | 1/2 | — | t_{cyc} |

NOTES:

1. All AC timing is shown with respect to 20% V_{DD} and 70% V_{DD} levels unless otherwise noted.
2. When previous bus cycle is not an ECLK cycle, the address may be valid before ECLK goes low.
3. Address access time = $t_{E_{cyc}} - t_{EAD} - t_{EDSR}$.
4. Chip select access time = $t_{E_{cyc}} - t_{ECSD} - t_{EDSR}$.

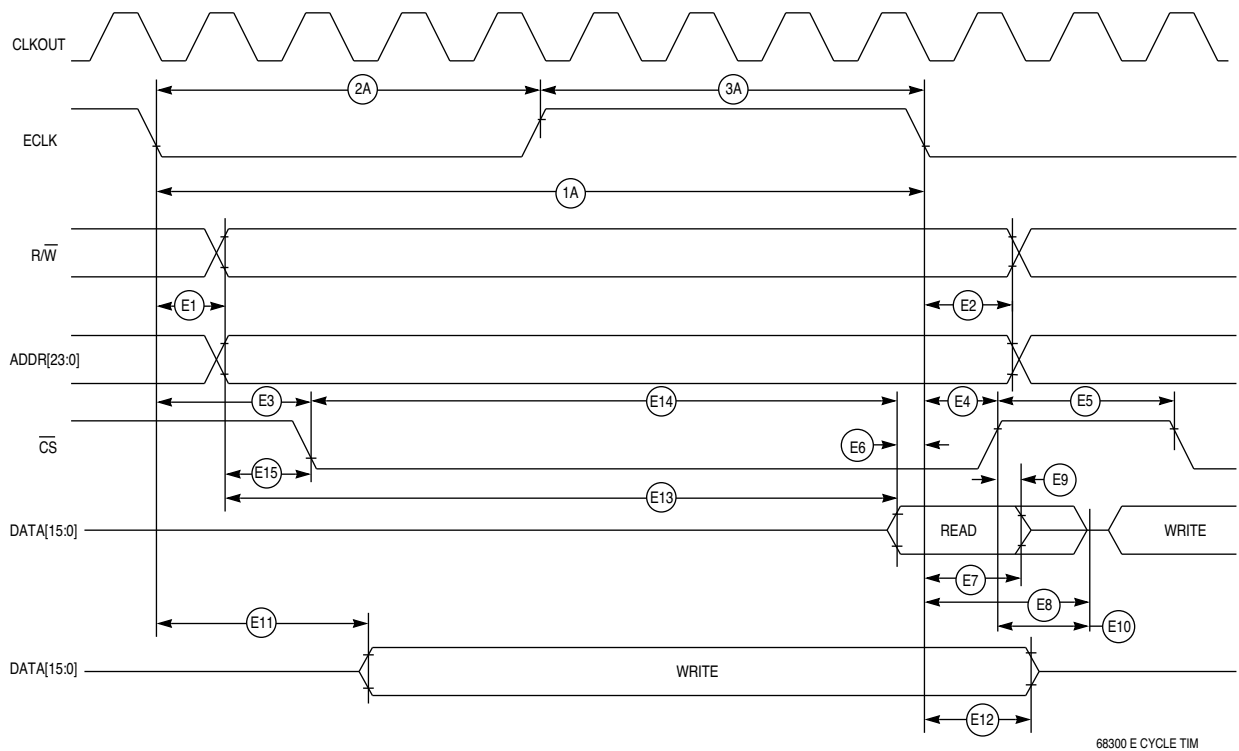


Figure 15 ECLK Timing Diagram

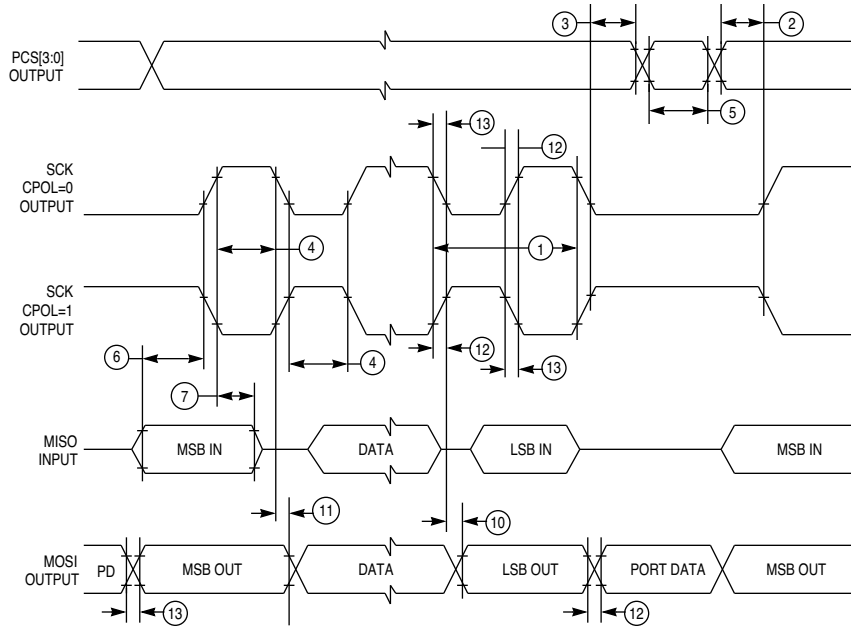
Table 9 QSPI Timing

(V_{DD} and $V_{DDSYN} = 3.0$ to $3.6V_{dc}$, $V_{SS} = 0 V_{dc}$, $T_A = T_L$ to T_H , 100 pF load on all QSPI pins)¹

| Num | Function | Symbol | Min | Max | Unit |
|-----|--|----------------------|------------------|---------------|-----------|
| 1 | Operating Frequency Master Slave | f_{op} | DC | 1/4 | f_{sys} |
| | | | DC | 1/4 | f_{sys} |
| 2 | Cycle Time Master Slave | t_{qcyc} | 4 | 510 | t_{cyc} |
| | | | 4 | — | t_{cyc} |
| 3 | Enable Lead Time Master Slave | t_{lead} | 2 | 128 | t_{cyc} |
| | | | 2 | — | t_{cyc} |
| 4 | Enable Lag Time Master Slave | t_{lag} | — | 1/2 | SCK |
| | | | 2 | — | t_{cyc} |
| 5 | Clock (SCK) High or Low Time Master Slave ² | t_{sw} | $2 t_{cyc} - 60$ | $255 t_{cyc}$ | ns |
| | | | $2 t_{cyc} - n$ | — | ns |
| 6 | Sequential Transfer Delay Master Slave (Does Not Require Deselect) | t_{td} | 17 | 8192 | t_{cyc} |
| | | | 13 | — | t_{cyc} |
| 7 | Data Setup Time (Inputs) Master Slave | t_{su} | 30 | — | ns |
| | | | 20 | — | ns |
| 8 | Data Hold Time (Inputs) Master Slave | t_{hi} | 0 | — | ns |
| | | | 20 | — | ns |
| 9 | Slave Access Time | t_a | — | 1 | t_{cyc} |
| 10 | Slave MISO Disable Time | t_{dis} | — | 2 | t_{cyc} |
| 11 | Data Valid (after SCK Edge) Master Slave | t_v | — | 50 | ns |
| | | | — | 50 | ns |
| 12 | Data Hold Time (Outputs) Master Slave | t_{ho} | 0 | — | ns |
| | | | 0 | — | ns |
| 13 | Rise Time Input Output | t_{ri} t_{ro} | — | 2 | μs |
| | | | — | 30 | ns |
| 14 | Fall Time Input Output | t_{fi} t_{fo} | — | 2 | μs |
| | | | — | 30 | ns |

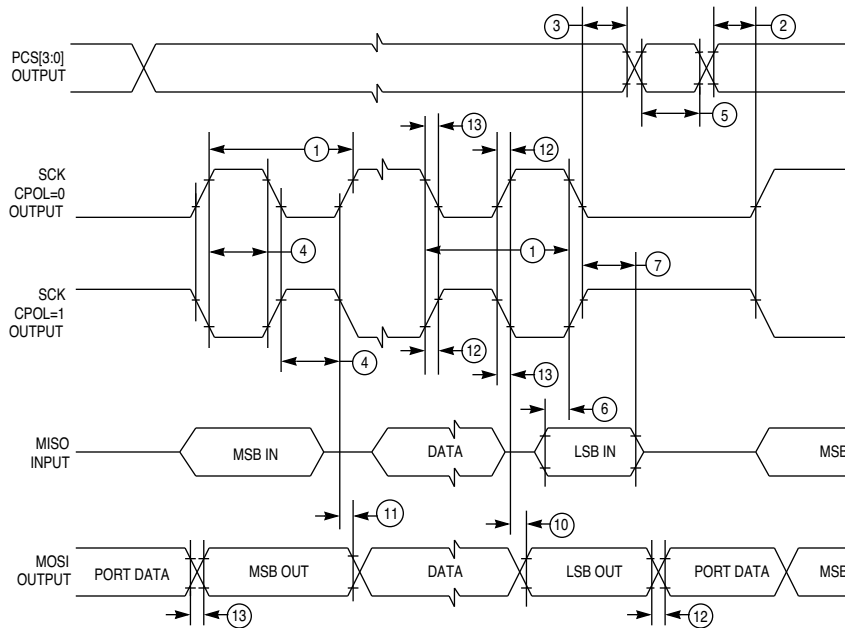
NOTES:

1. All AC timing is shown with respect to 20% V_{DD} and 70% V_{DD} levels unless otherwise noted.
2. For high time, $n =$ External SCK rise time; for low time, $n =$ External SCK fall time.



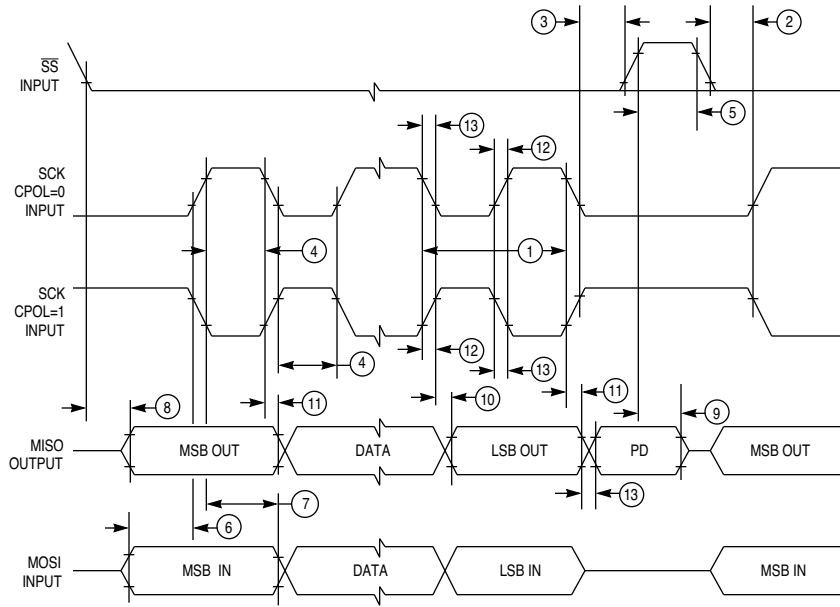
68300 QSPI MAST CPHA0

Figure 16 QSPI Timing — Master, CPHA = 0



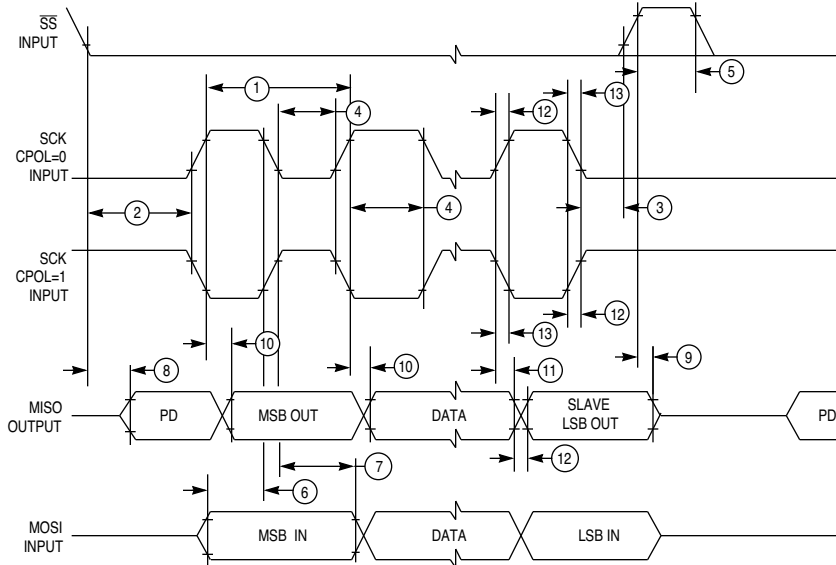
68300 QSPI MAST CPHA1

Figure 17 QSPI Timing — Master, CPHA = 1



68300 QSPI SLV CPHA0

Figure 18 QSPI Timing — Slave, CPHA = 0



68300 QSPI SLV CPHA1

Figure 19 QSPI Timing — Slave, CPHA = 1

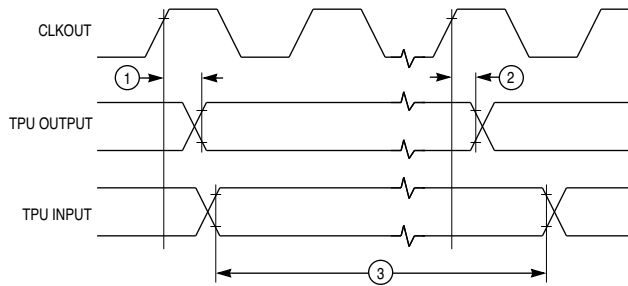
Table 10 Time Processor Unit Timing

(V_{DD} and $V_{DDA} = 3.0$ to 3.6 Vdc, $V_{SS} = 0$ Vdc, $T_A = T_L$ to T_H)¹

| Num | Parameter | Symbol | Min | Max | Unit |
|-----|--|-------------|-----|-----|-----------|
| 1 | CLKOUT High to TPU Output Channel Valid ^{2, 3, 4} | t_{CHTOV} | 2 | 23 | ns |
| 2 | CLKOUT High to TPU Output Channel Hold | t_{CHTOH} | 0 | 20 | ns |
| 3 | TPU Input Channel Pulse Width | t_{TIPW} | 4 | — | t_{cyc} |

NOTES:

1. AC Timing is shown with respect to 20% V_{DD} and 70% V_{DD} levels.
2. Timing not valid for external T2CLK input.
3. Maximum load capacitance for CLKOUT pin is 90 pF.
4. Maximum load capacitance for TPU output pins is 100 pF.

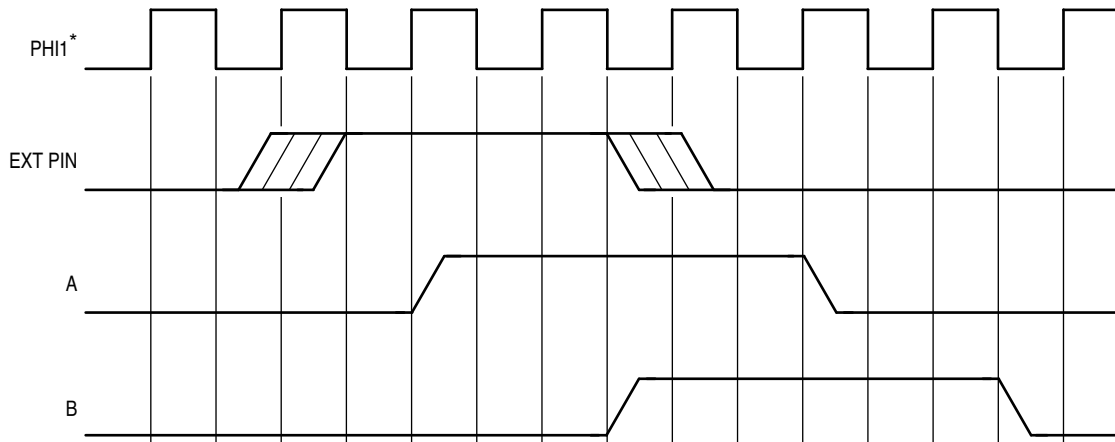


TPU I/O TIM

Figure 20 TPU Timing Diagram

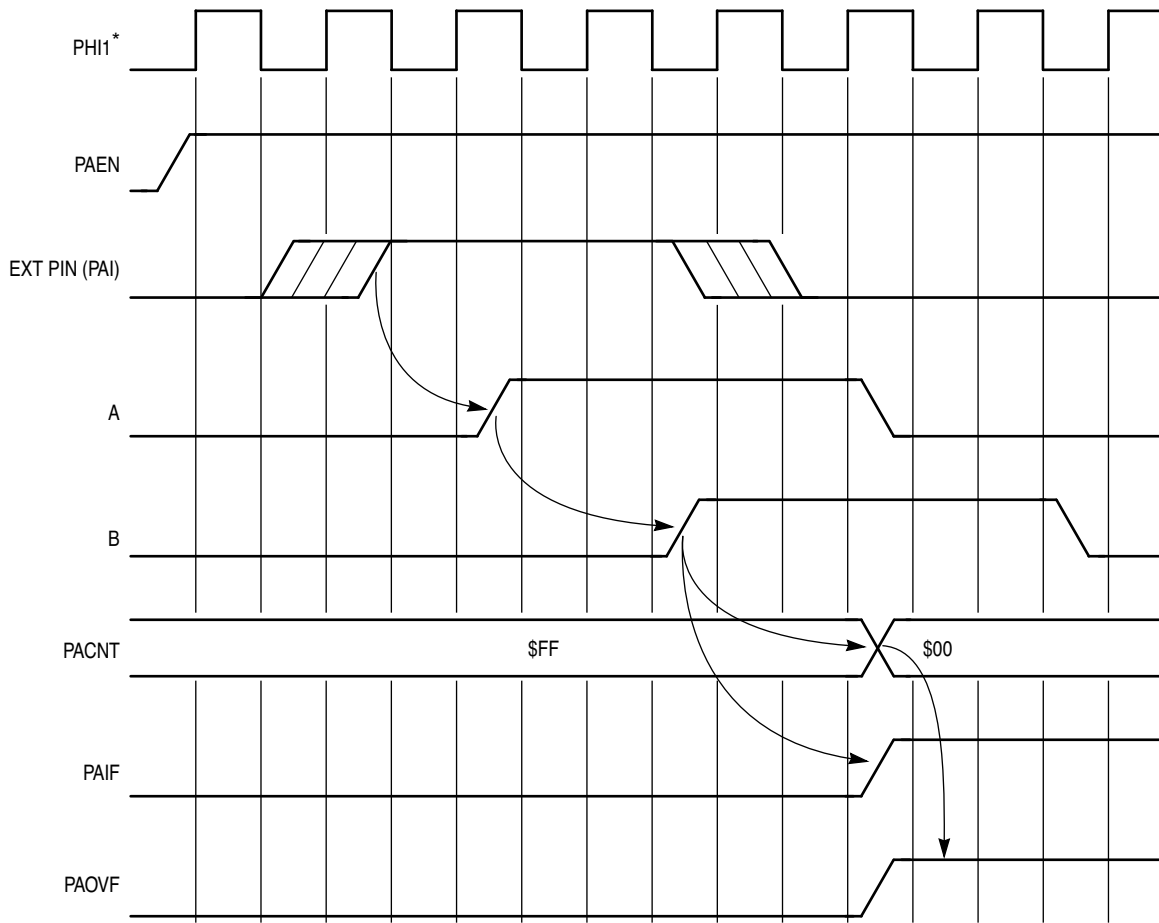
Table 11 General-Purpose Timer AC Characteristics

| Num | Parameter | Symbol | Min | Max | Unit |
|-----|---------------------------|--------|----------|------------|------|
| 1 | Operating Frequency | Fclock | 0 | 16.77 | MHz |
| 2 | PCLK Frequency | Fpclk | 0 | 1/4 Fclock | MHz |
| 3 | Pulse Width Input Capture | PWtim | 2/Fclock | — | — |
| 4 | PWM Resolution | — | 2/Fclock | — | — |
| 5 | IC/OC Resolution | — | 4/Fclock | — | — |
| 6 | PCLK Width (PWM) | — | 4/Fclock | — | — |
| 7 | PCLK Width (IC/OC) | — | 4/Fclock | — | — |
| 8 | PAI Pulse Width | — | 2/Fclock | — | — |



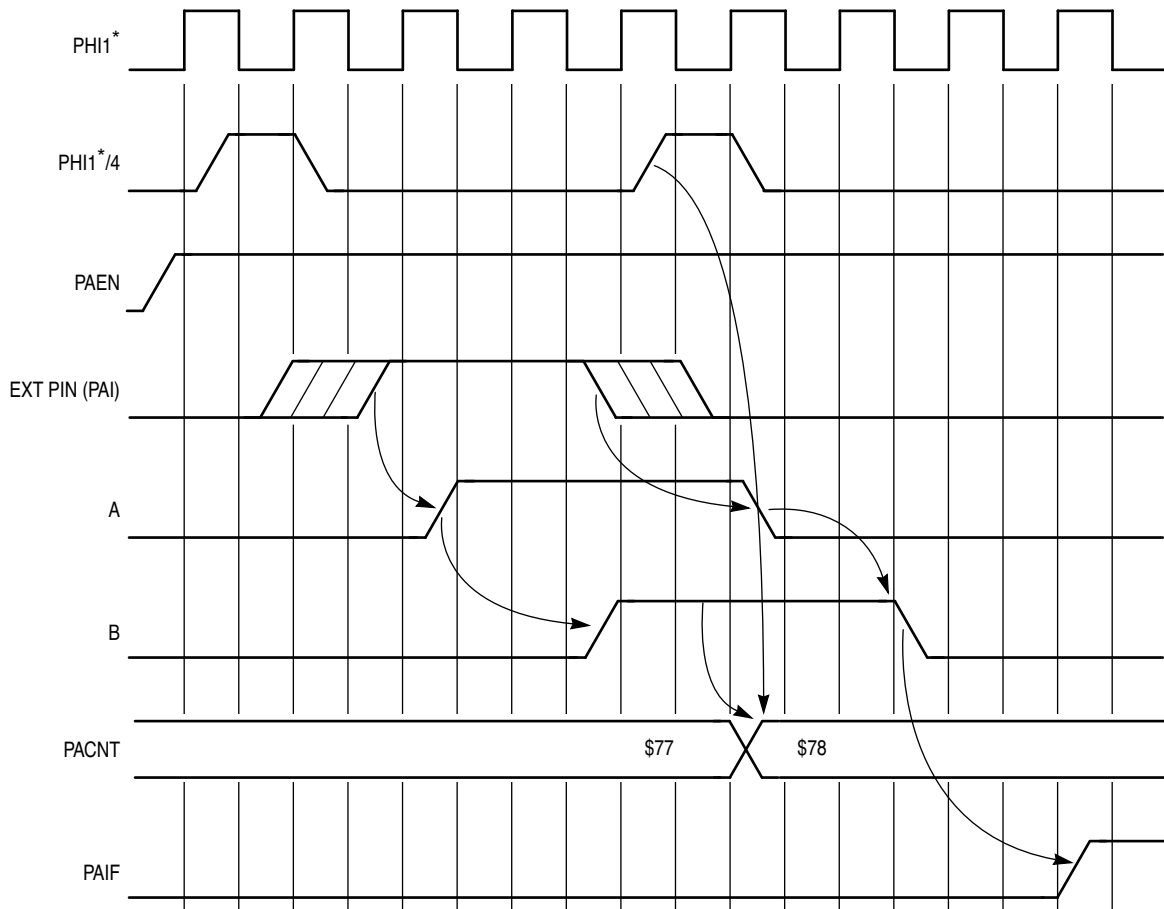
- NOTE: 1. A = Input signal after the synchronizer
 2. B = "A" after the digital filter
 3. *PHI1 is the same frequency as system clock; however, it does not have the same timing.

Figure 21 Input Signal Conditioner Timing



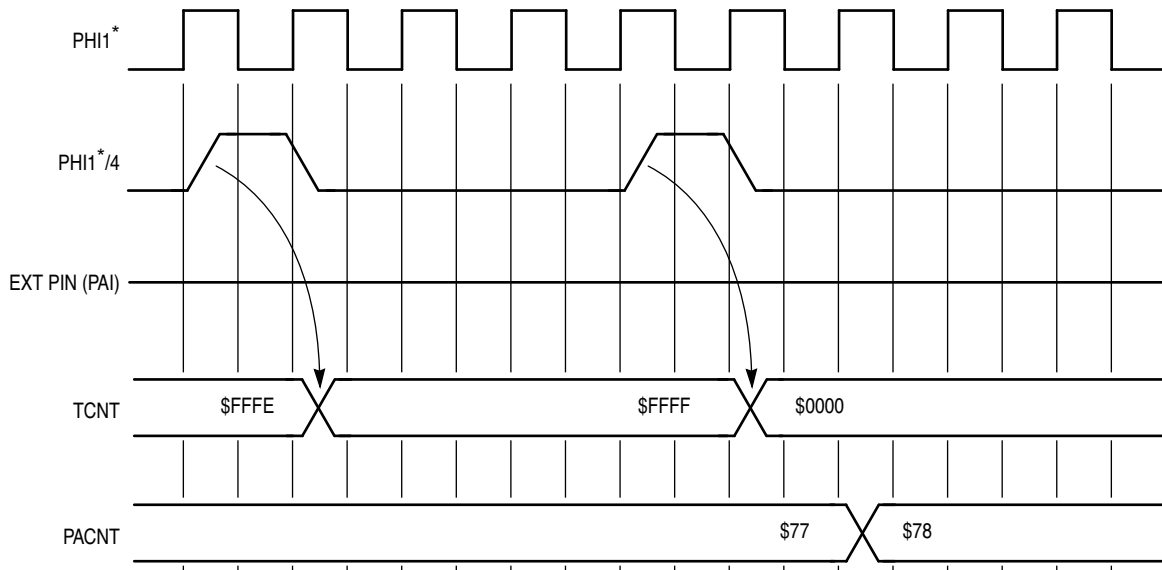
- NOTE:
1. A = PAI signal after the synchronizer
 2. B = "A" after the digital filter
 3. *PHI1 is the same frequency as system clock; however, it does not have the same timing.
 4. The external leading edge causes the pulse accumulator to increment and the PAIF flag to be set.
 5. The counter transition from \$FF to \$00 causes the PAOVF flag to be set.

Figure 22 Pulse Accumulator — Event Counting Mode (Leading Edge)



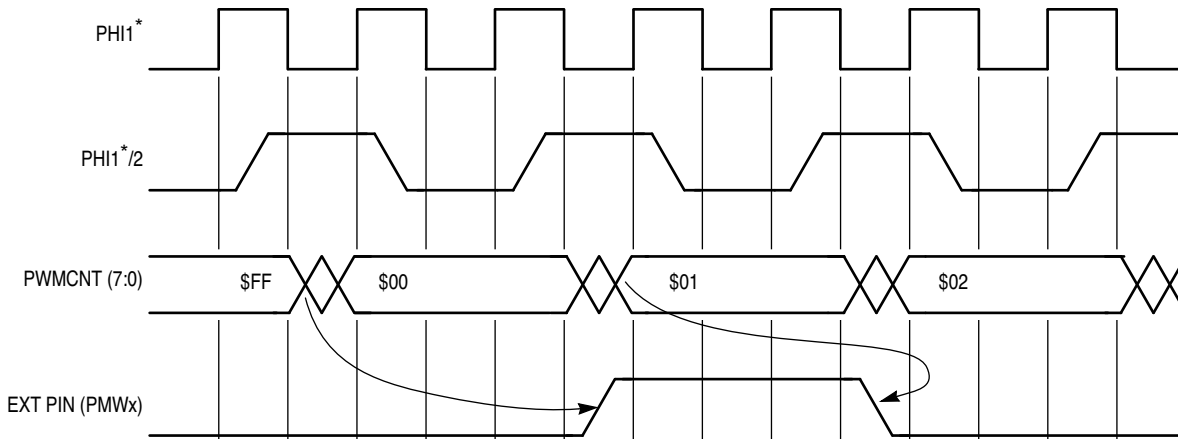
- NOTE: 1. A = PAI signal after the synchronizer
 2. B = "A" after the digital filter
 3. PHI1*/4 clocks PACNT when GT-PAIF is asserted.
 4. PAIF is asserted when PAI is negated.
 5. *PHI1 has the same frequency as the system clock; however, it does not have the same timing.

Figure 23 Pulse Accumulator — Gated Mode (Count While Pin High)



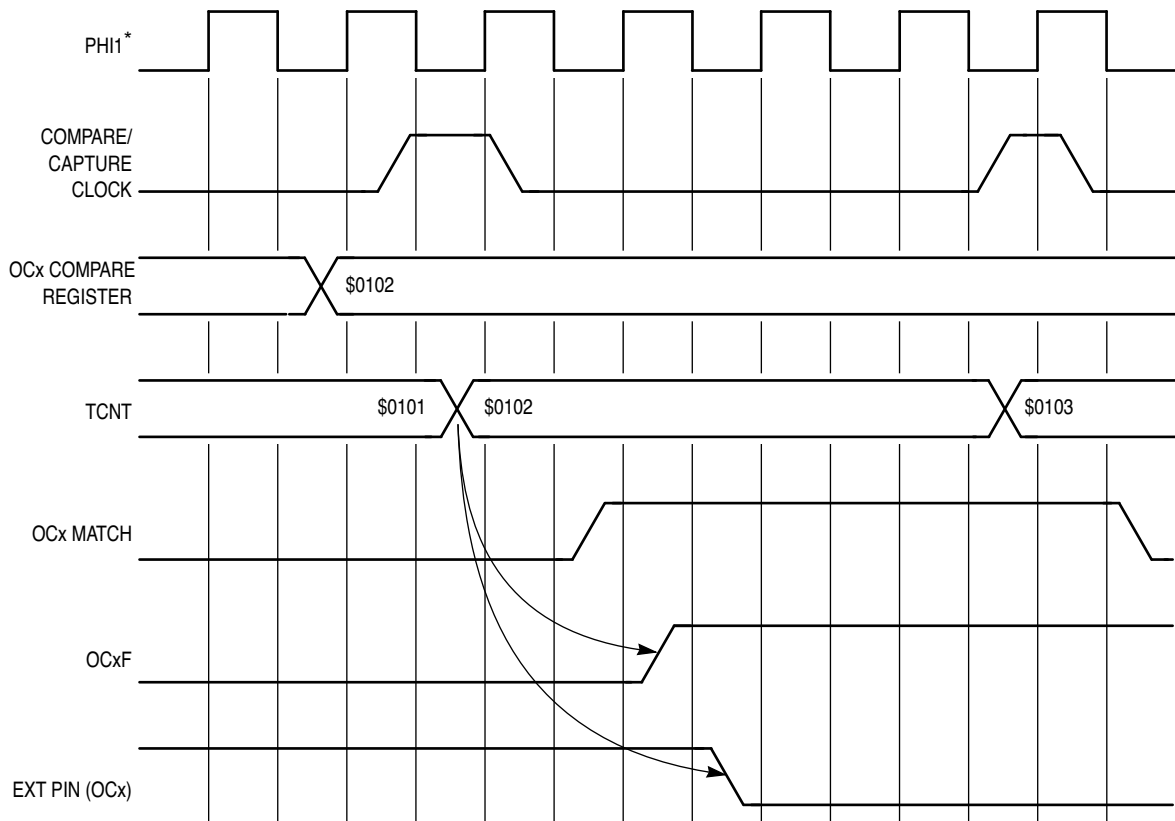
NOTE: 1. TCNT counts as a result of PHI1*/4; PACNT counts when TCNT overflows from \$FFFF to \$0000 and the conditioned PAI signal is asserted.
 2. *PHI1 has the same frequency as the system clock; however, it does not have the same timing.

Figure 24 Pulse Accumulator — Using TOF as Gated Mode Clock



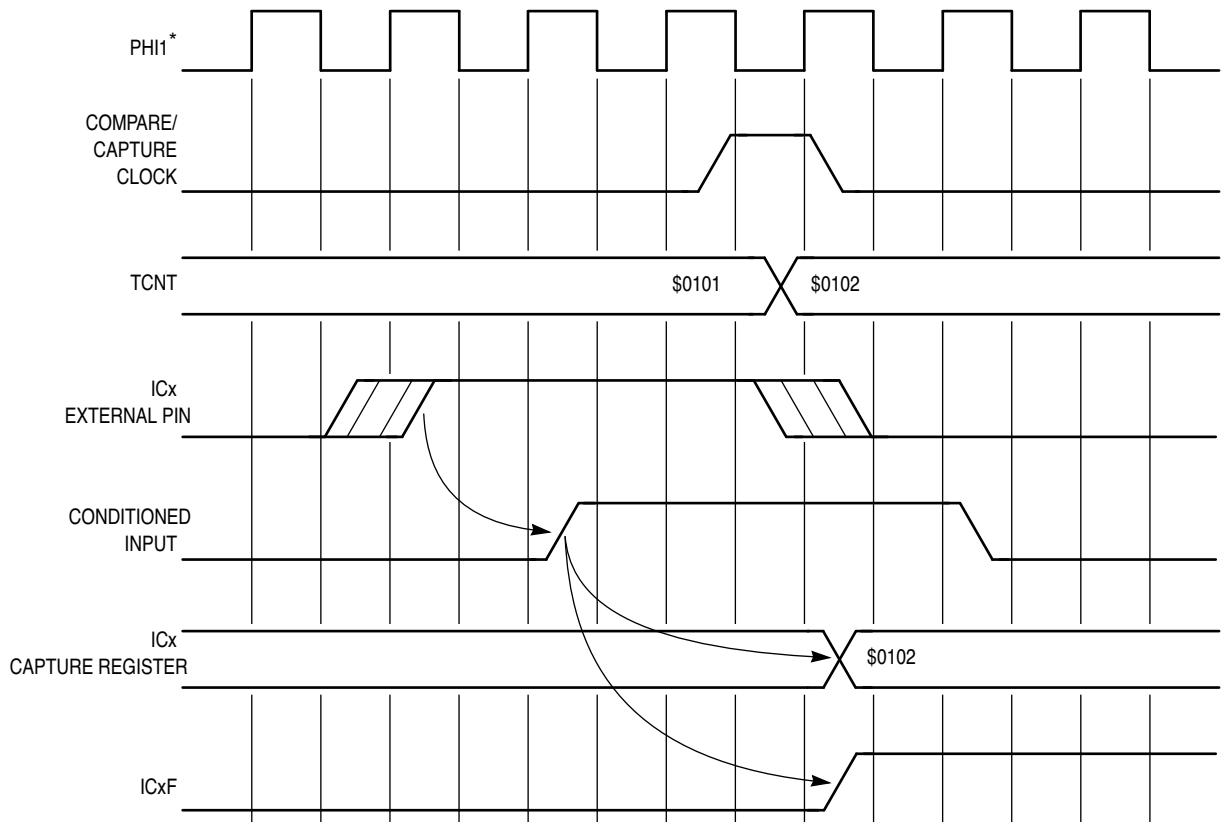
NOTE: 1. *PAI1 is the same frequency as the system clock; however, it does not have the same timing.
 2. When the counter rolls over from \$FF to \$00, the PWM pin is set to logic level one.
 3. When the counter equals the PWM register, the PWM pin is cleared to a logic level zero.

Figure 25 PWMx (PWMx Register = 01, Fast Mode)



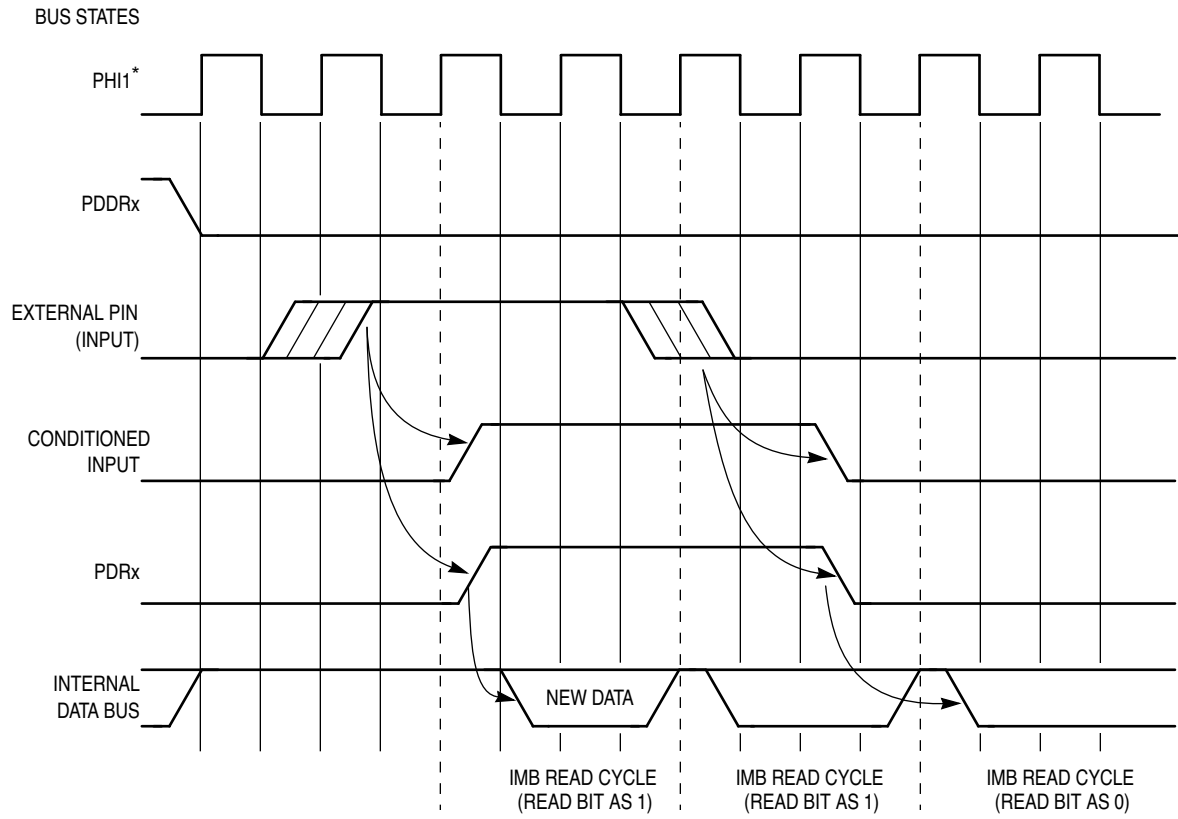
NOTE: 1. When the TCNT matches the OCx compare register, the OCxF flag is set followed by the OCx pin changing state.
 2. *PAI1 is the same frequency as the system clock; however, it does not have the same timing.

Figure 26 Output Compare (Toggle Pin State)



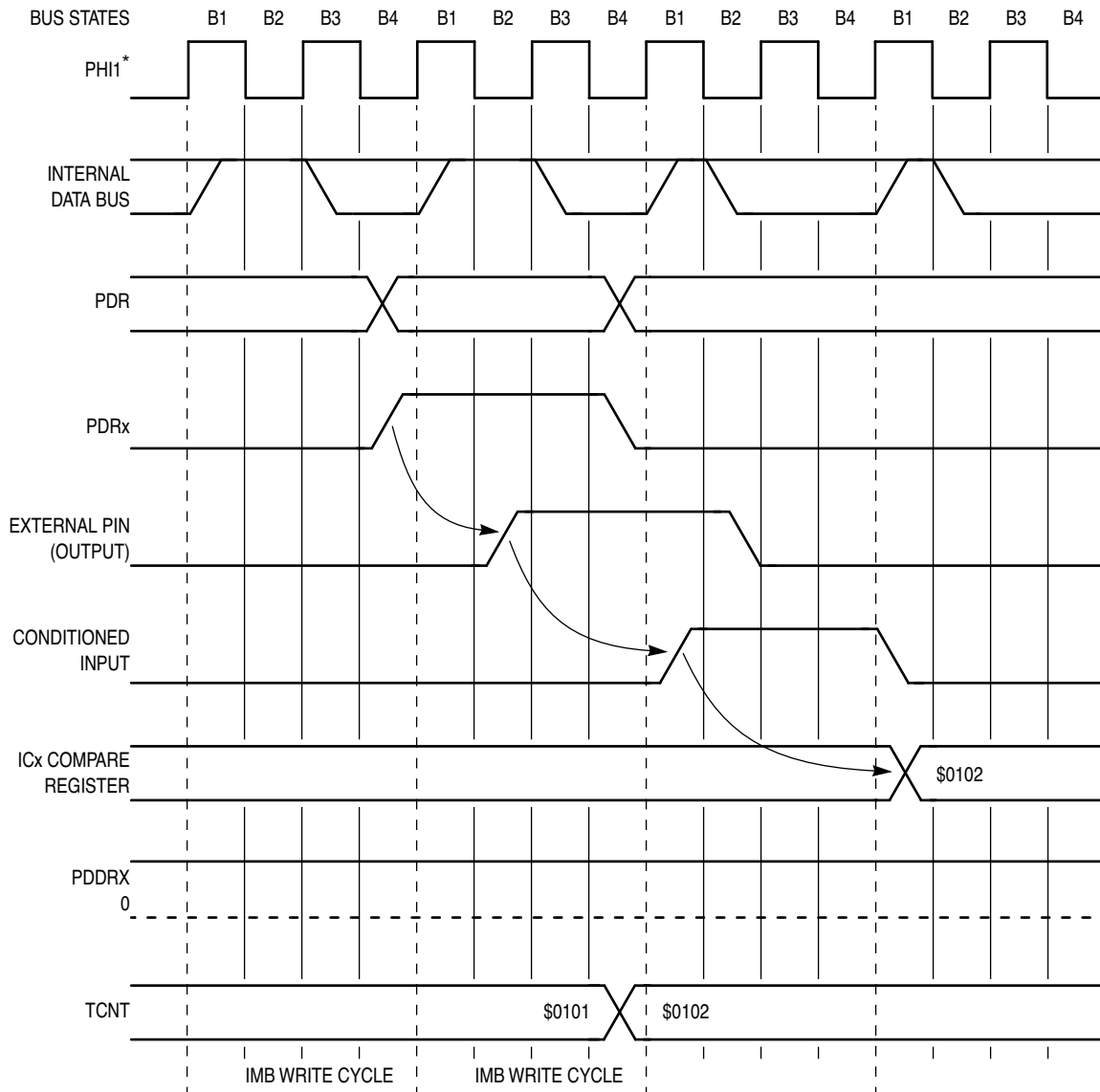
- NOTE: 1. The conditioned input signal causes the current value of the TCNT to be latched by the ICx capture register. The ICxF flag is set at the same time.
 2. *PA11 is the same frequency as the system clock; however, it does not have the same timing.

Figure 27 Input Capture (Capture on Rising Edge)



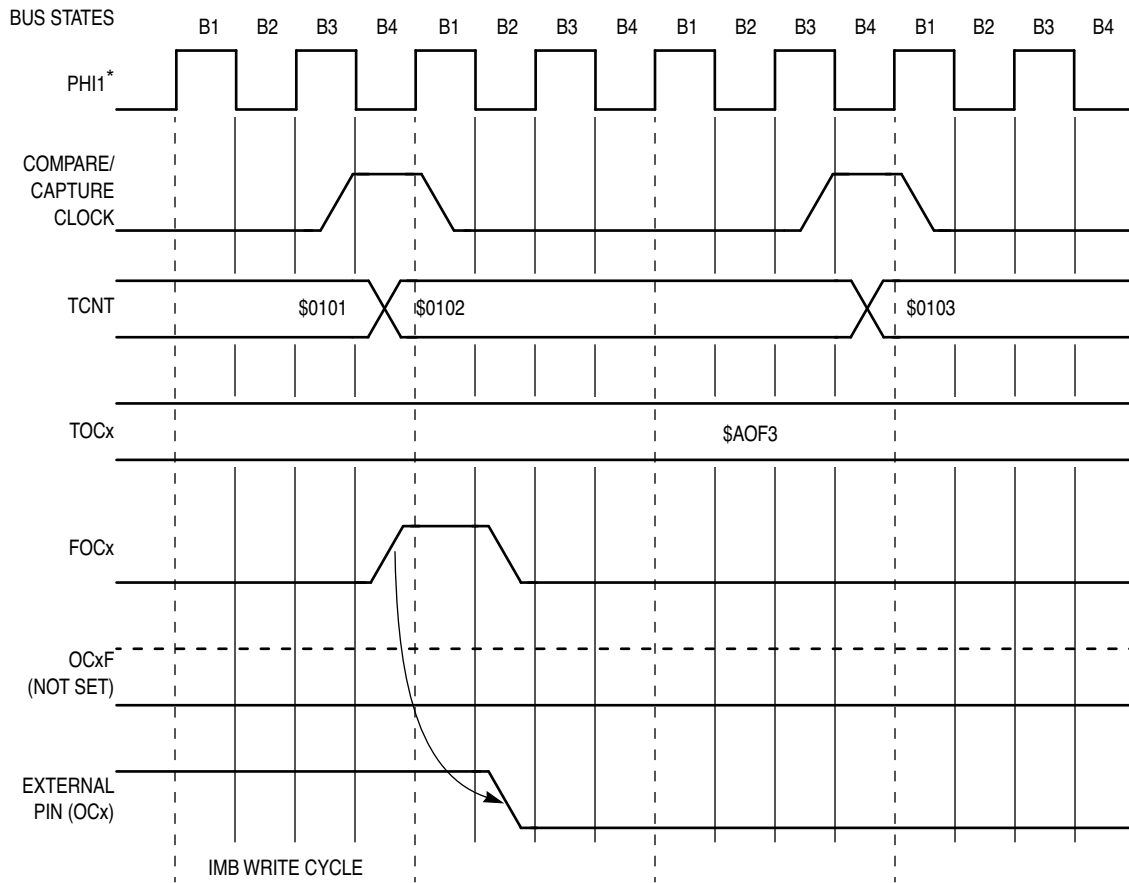
NOTE: 1. *PAI1 is the same frequency as the system clock; however, it does not have the same timing.

Figure 28 General-Purpose Input



- NOTE: 1. *PAI1 is the same frequency as the system clock; however, it does not have the same timing.
 2. When the bit value is driven on the pin, the input circuit sees the signal. After it is conditioned it causes the contents of the TCNT to be latched into the ICx compare register.

Figure 29 General-Purpose Output (Causes Input Capture)



NOTE: 1. *PAI1 is the same frequency as the system clock; however, it does not have the same timing.

Figure 30 Force Compare (CLEAR)

Freescale Semiconductor, Inc.

Home Page:

www.freescale.com

email:

support@freescale.com

USA/Europe or Locations Not Listed:

Freescale Semiconductor
Technical Information Center, CH370
1300 N. Alma School Road
Chandler, Arizona 85224
(800) 521-6274
480-768-2130
support@freescale.com

Europe, Middle East, and Africa:

Freescale Halbleiter Deutschland GmbH
Technical Information Center
Schatzbogen 7
81829 Muenchen, Germany
+44 1296 380 456 (English)
+46 8 52200080 (English)
+49 89 92103 559 (German)
+33 1 69 35 48 48 (French)
support@freescale.com

Japan:

Freescale Semiconductor Japan Ltd.
Headquarters
ARCO Tower 15F
1-8-1, Shimo-Meguro, Meguro-ku
Tokyo 153-0064, Japan
0120 191014
+81 2666 8080
support.japan@freescale.com

Asia/Pacific:

Freescale Semiconductor Hong Kong Ltd.
Technical Information Center
2 Dai King Street
Tai Po Industrial Estate,
Tai Po, N.T., Hong Kong
+800 2666 8080
support.asia@freescale.com

For Literature Requests Only:

Freescale Semiconductor
Literature Distribution Center
P.O. Box 5405
Denver, Colorado 80217
(800) 441-2447
303-675-2140
Fax: 303-675-2150
LDCForFreescaleSemiconductor@hibbertgroup.com

RoHS-compliant and/or Pb-free versions of Freescale products have the functionality and electrical characteristics of their non-RoHS-compliant and/or non-Pb-free counterparts. For further information, see <http://www.freescale.com> or contact your Freescale sales representative.

For information on Freescale's Environmental Products program, go to <http://www.freescale.com/epp>.

Information in this document is provided solely to enable system and software implementers to use Freescale Semiconductor products. There are no express or implied copyright licenses granted hereunder to design or fabricate any integrated circuits or integrated circuits based on the information in this document. Freescale Semiconductor reserves the right to make changes without further notice to any products herein. Freescale Semiconductor makes no warranty, representation or guarantee regarding the suitability of its products for any particular purpose, nor does Freescale Semiconductor assume any liability arising out of the application or use of any product or circuit, and specifically disclaims any and all liability, including without limitation consequential or incidental damages. "Typical" parameters which may be provided in Freescale Semiconductor data sheets and/or specifications can and do vary in different applications and actual performance may vary over time. All operating parameters, including "Typicals" must be validated for each customer application by customer's technical experts. Freescale Semiconductor does not convey any license under its patent rights nor the rights of others. Freescale Semiconductor products are not designed, intended, or authorized for use as components in systems intended for surgical implant into the body, or other applications intended to support or sustain life, or for any other application in which the failure of the Freescale Semiconductor product could create a situation where personal injury or death may occur. Should Buyer purchase or use Freescale Semiconductor products for any such unintended or unauthorized application, Buyer shall indemnify and hold Freescale Semiconductor and its officers, employees, subsidiaries, affiliates, and distributors harmless against all claims, costs, damages, and expenses, and reasonable attorney fees arising out of, directly or indirectly, any claim of personal injury or death associated with such unintended or unauthorized use, even if such claim alleges that Freescale Semiconductor was negligent regarding the design or manufacture of the part.



Go to: www.freescale.com