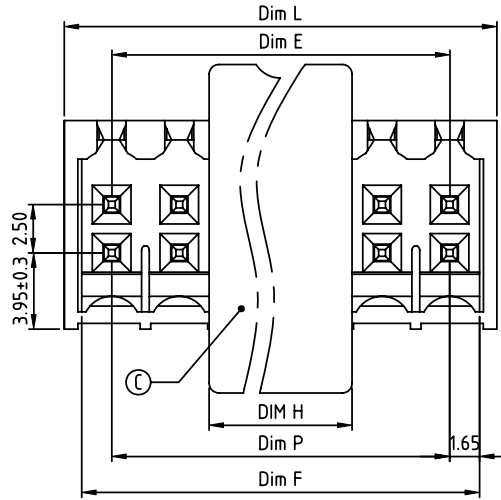
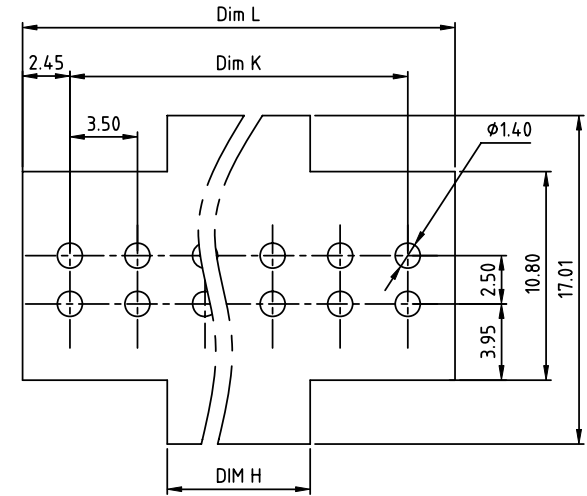


PRODUCT NUMBER	PITCH
VXxx1100B0J0G	3.50 mm

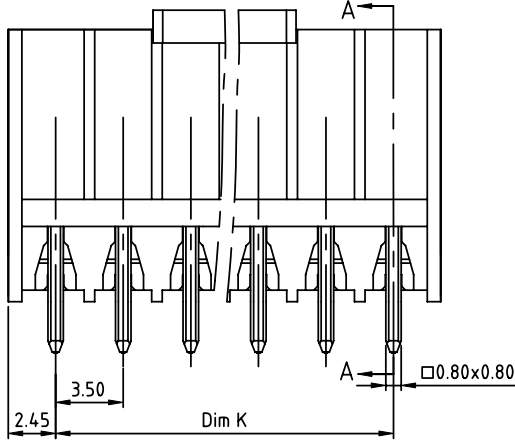


Cover:			
POLES	2P	3P	
DIM			
Dim H	7.40	10.90	

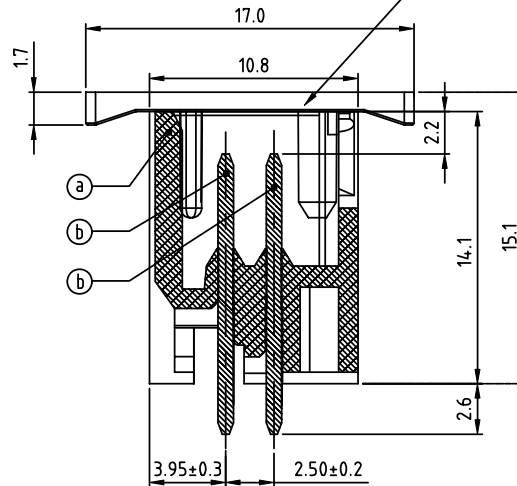


RECOMMENDED P.C.B LAYOUT
TOP VIEW

- Material:
- Item ① Terminal housing: High temp. polyamide (UL94V-0)
 - Item ② Pin: Brass, Tin plated
 - Item ③ With cover: High temp. polyamide (UL94V-0)
- Electrical: cULus
- Voltage rating: 150V
 - Current rating: 7A
 - Withstanding Voltage: 1.3KV
 - Operating temperature: -40°C to +115°C
 - Reflow Soldering temperature: 260°C/10 Sec max
 - Safety Approval:



Note: 3P Cover for odd poles
2p Cover for even poles



SECTION A-A

Dim L=(N/2-1)×3.5+4.9
Dim P=(N/2-1)×3.5
Dim K=(N/2-1)×3.5
Dim E=(N/2-1)×3.5
Dim F=(N/2-1)×3.5+3.3
N=Number of poles

Poles	Dim L	Dim P&Dim K	Dim E	Dim F
2x2p-2x6p	±0.15	±0.10	±0.10	±0.15
2x7p-2x12p	±0.25	±0.20	±0.20	±0.25
2x13p-2x16p	±0.35	±0.30	±0.30	±0.35

PART NO.: VX xx 11 0 0 B0J0 G

- Solid block
- No. of poles
- 04 2x2 poles
- 06 2x3 poles
-
- 32 2x16 poles
- Color
- 0 Black (RAL9005)
- RoHS compliant (lead<4%)
- In copper Alloy

mat'l. code	surface ASME Y14.5	tolerance ASME Y14.5	projection	product family TERMINAL BLOCK
ltr	ecn no	dr	date	title
				TERMINAL BLOCK
				PLUGGABLE SOCKET, VERTICAL, CLOSE TYPE, THR
				sheet 1 of 1 size
				VXxx1100B0J0G A4
				type CUSTOMER Drawing
sheet index	revision	A		
	sheet	1		