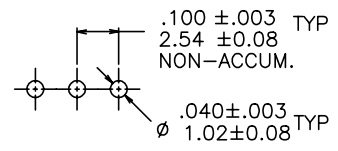
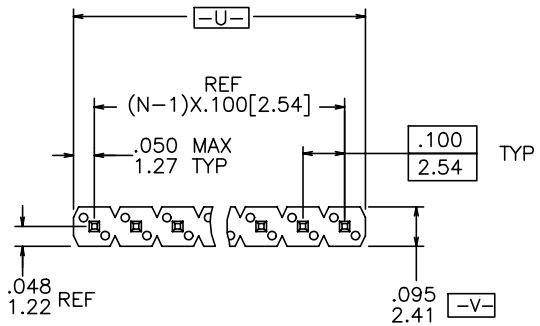


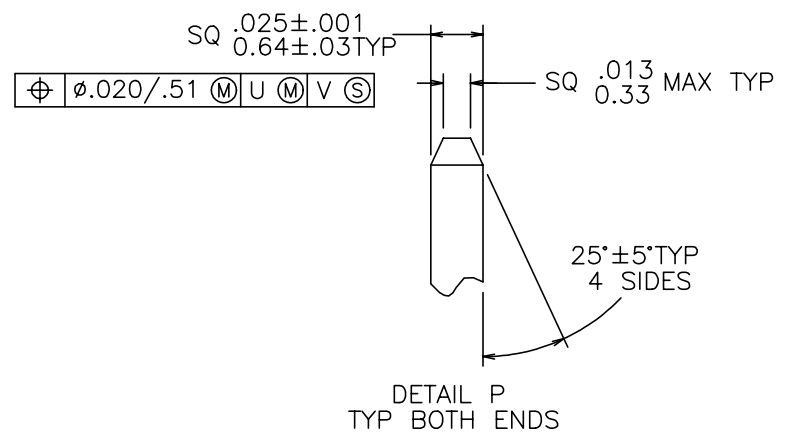
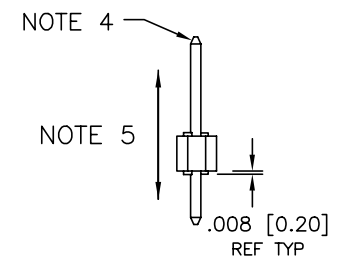
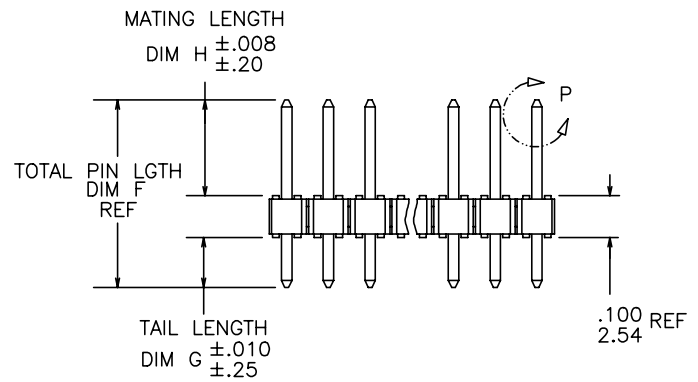
PRODUCT NUMBER

10129378 - X YY XXX X LF

- LEAD FREE OPTION (SEE NOTES 7)
- PACKAGING OPTIONS (SEE NOTE 3)
- INDICATES DIFFERENT MATING LENGTH TAIL LENGTH AND OTHER OPTIONS (SEE TABLE IN SHEET 2)
- NO OF POSITIONS (SEE NOTE 2)
- PIN PLATING (SEE SHEET 2)
- BASE PART NO.



RECOMMENDED HOLE PATTERN



DETAIL P TYP BOTH ENDS

mat'l. code SEE NOTES 1		surface ISO 1302 ✓		tolerance ISO 406 ISO 1101		projection INCH/MM		product family ECONOSTIK	
title ECONOSTIK HEADER		tolerances unless otherwise specified		angles 0° ±2°		line XXX ±.01/XXX ±.03 XXX ±.008/XXX ±.02 XXX ±.0040/XXX ±.0100		title .100/2.54cc SR STRAIGHT	
A NEW ZK 04/23/14		B ELX-N-18529 ZK 08/14/14		dr ZK HU 04/23/14		enrg ZK HU 04/23/14		dwg no 10129378	
sheet index		revision B B		chr RICK BIAN 04/23/14		appd RICK BIAN 04/23/14		sheet 1 of 2 size A3	
sheet 1		sheet 2		type Product Customer Drawing		FCJ			

PRODUCT NUMBER	TOTAL PIN LENGTH		TAIL LENGTH		MATING LENGTH	
	DIM F	DIM F	DIM G	DIM G	DIM H	DIM H
	ENGLISH	METRIC	ENGLISH	METRIC	ENGLISH	METRIC
10129378-XY001XLF	0.450	11.43	0.120	3.05	0.230	5.84
10129378-XY002XLF	0.420	10.67	0.090	2.29	0.230	5.84
10129378-XY003XLF	0.538	13.67	0.120	3.05	0.318	8.08
10129378-XY004XLF	0.508	12.91	0.090	2.29	0.318	8.08

PIN PLATING CODES:	
10129378-9YYXXXXLF	1u"/0.025u MIN Au OVER 50u"/1.27u MIN Ni

NOTES:

1. MATERIAL

BODAY MATERIAL: HIGH TEMPERATURE THERMOPLASTIC.  
FLAME UL94-V0, BLACK.

PIN MATERIAL: COPPER ALLOY.

2. ANY NUMBER OF POSITIONS N FROM 1 TO 36,  
PRODUCT MAYBE CUTTING TO POSITION,  
THE CUTTING PLASH IS 0.02[0.51] MAX.

3. PACKING STYLE DEFINITION.

- B: PACKED WITH POLY BAG
- T: PACKED WITH TUBE
- A: PACKED WITH TAPE AND REEL WITH PICK UP CAP
- C: PACKED WITH TAPE AND REEL WITHOUT PICK UP CAP

4. TWO SIDES OF PIN TIPS NOT PLATED, TYPICAL BOTH ENDS.

5. 2LBS/0.9KG MIN PIN RETENTION IN EITHER DIRECTION BEFORE REFLOW.

6. THE OAL DON'T EXCEED 1 INCH / 25.4MM.

7. ADD LF AT THE END OF PART NUMBER IS FOR LEAD FREE.

8. THESE PRODUCT MEETS EUROPEAN UNION DIRECTIVES AND OTHER  
COUNTRY REGULATION AS DESCRIBED IN GS-22-008.

9. PRODUCT SPECIFICATION: GS-12-1223.

10. THIS PRODUCT WILL WITHSTAND EXPOSURE TO 260°C PEAK TEMPERATURE  
FOR 20 SECONDS IN WAVE SOLDER, INFRA-RED OR VAPOR PHASE SOLDER PROCESS.

mat'l. code SEE NOTES 1		surface ISO 1302 ✓	tolerance ISO 406 ISO 1101	projection 	product family ECONOSTIK
ltr	ec	no	dr	date	tolerances unless otherwise specified
B					angles linear 0°±2'
					linear XXX±.01/XXX±0.3 XXX±.008/XXX±0.20 XXX±.0040/XXX±0.100
					scale 2:1
			dr	ZK HU	04/23/14
			engr	ZK HU	04/23/14
			chr	RICK BIAN	04/23/14
			appd	RICK BIAN	04/23/14
sheet	revision				
index	sheet				
				title ECONOSTIK HEADER .100/2.54cc SR STRAIGHT	
				dwg no 10129378	
				sheet 2 of 2 size A3	
				type Product Customer Drawing	