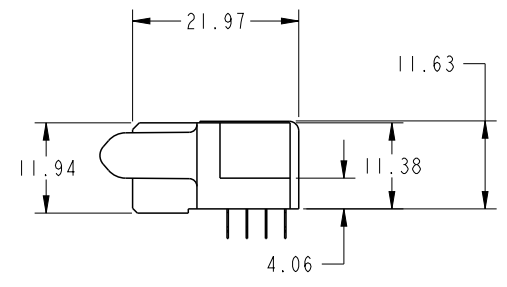
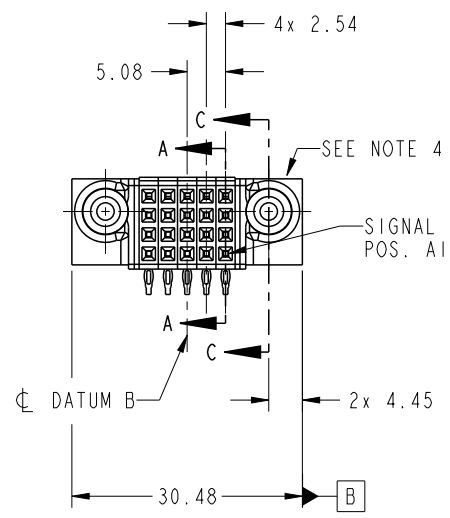




Copyright FCI.

PRODUCT NO. 51915-429-- NOTE 3	ROWS D C B A	SIGNAL						
		E2	5	4	3	2	1	E1
			S	S	S	S	S	
			R	R	R	R	R	
			P	P	P	P	P	
			N	N	N	N	N	



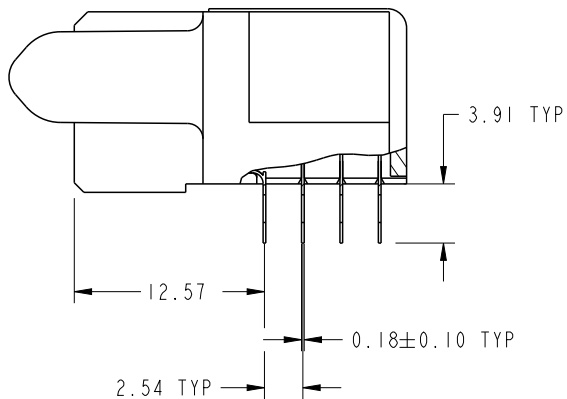
CODE	DIM "M" MATING LENGTH	CONTACT TYPE
S	[N/A]	SIGNAL
R	[N/A]	SIGNAL
P	[N/A]	SIGNAL
N	[N/A]	SIGNAL

spec ref	SEE NOTES			dr	Ruan MT	2014/01/22	projection 	MM 	size	A4	scale	1:1
tolerance std	TOLERANCES UNLESS OTHERWISE SPECIFIED			eng	Ruan MT	2014/02/14			ecn no	-	rel level	Released
SEE NOTES				chr	-	-						
surface	linear	0.X	±0.50	FCI	title	20S	dwg no	51915-429	rev	A		
		0.XX	±0.25									
		0.XXX	±0.10									
	angular	0°	±2°	www.fci.com	cat. no.	Product - Customer Drw	sheet 1 of 4					

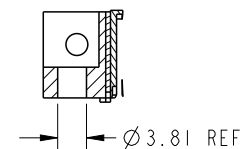
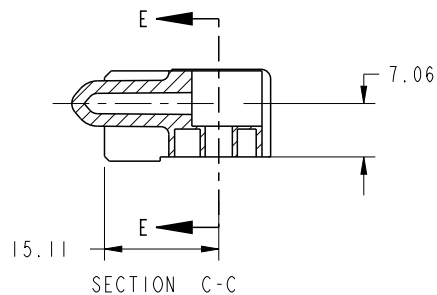
PrdE File - REV C - 2009-06-09

PRODUCT NUMBER

51915-429\_\_  
NOTE 3



BROKEN-OUT SECTION A-A  
SCALE 2:1

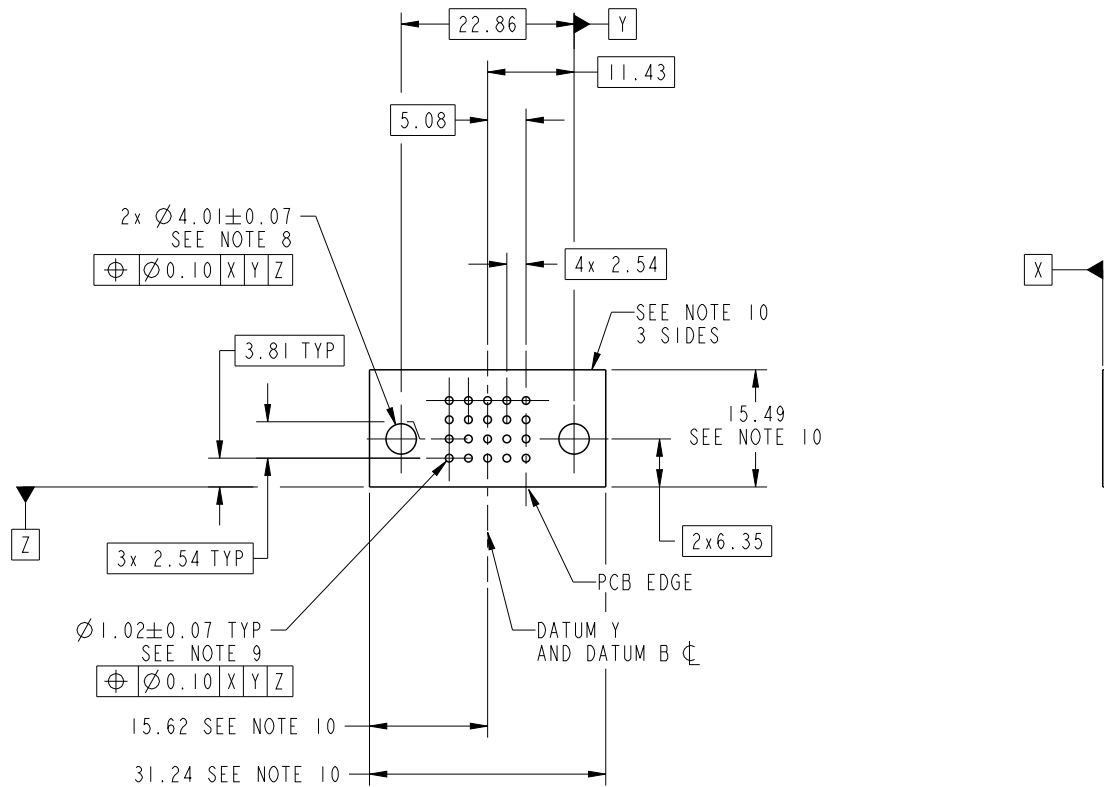


PARTIAL SECTION E-E

dr	Ruan MT	2014/01/22	projection 	MM ←→	size	A4	scale	1:1
eng	Ruan MT	2014/02/14			ecn no	-		
chr	-	-			rel level	Released		
appr	Pei-Ming Zheng	2014/02/14	product family	PwrBlade				
	title	20S R/A PRESS FIT RECEPTACLE		dwg no	51915-429		rev	A
www.fci.com	cat. no.	Product - Customer Drw			sheet 2 of 4			

PRODUCT NUMBER

51915-429\_\_  
NOTE 3



RECOMMENDED PCB LAYOUT

dr	Ruan MT	2014/01/22	projection 	MM 	size	A4	scale	1:1
eng	Ruan MT	2014/02/14			ecn no	-		
chr	-	-			rel level	Released		
appr	Pei-Ming Zheng	2014/02/14	product family	PwrBlade				
	title	20S R/A PRESS FIT RECEPTACLE		dwg no	51915-429		rev	A
www.fci.com	cat. no.	Product - Customer Drw			sheet 3 of 4			

PRODUCT NUMBER

51915-429\_\_  
NOTE 3

NOTES:

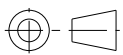
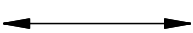

1. DIMENSIONS AND TOLERANCES ARE IN ACCORDANCE WITH ASME Y14.5M, 1994 UNLESS OTHERWISE SPECIFIED.

CONNECTOR NOTES:

- 2. HOUSING MATERIAL: UL 94 V-0 GLASS FILLED HIGH-TEMP THERMOPLASTIC  
POWER CONTACT MATERIAL: COPPER ALLOY  
SIGNAL PIN MATERIAL: COPPER ALLOY
- 3. SEE ITEM 7 & 8 IN PRINT 10064183 FOR PLATING SPEC OF 51915-429 AND 51915-429LF RESPECTIVELY.
- 4. MANUFACTURER'S NAME, DATE CODE AND OPTIONAL P/N TO APPEAR ON THIS SURFACE. THE MARK CAN BE OMITTED IF THERE IS NOT ENOUGH SPACE ON THIS SURFACE.
- 5. PRODUCT SPECIFICATION GS-12-149.  
APPLICATION SPECIFICATION BUS-20-067.
- 6. PACKAGED IN TRAYS.

PCB NOTES:

- 7. ALL HOLE DIAMETERS ARE FINISHED HOLE SIZE.
- 8. MOUNTING HOLES, WHERE APPLICABLE, ARE UNPLATED.
- 9.  $\varnothing 1.151 \pm 0.025$  DRILLED HOLES PLATED WITH 0.008 MIN SnPb OR Sn OVER 0.03 TO 0.08 Cu PLATING TO ACHIEVE  $\varnothing 1.02 \pm .07$  HOLE.
- 10. CONNECTOR KEEP-OUT ZONE.

dr	Ruan MT	2014/01/22	projection 	MM 	size	A4	scale	1:1
eng	Ruan MT	2014/02/14			ecn no	-		
chr	-	-			product family	PwrBlade	rel level	Released
appr	Pei-Ming Zheng	2014/02/14			title 20S R/A PRESS FIT RECEPTACLE	dwg no 51915-429	rev A	
www.fci.com		cat. no.	Product - Customer Drw			sheet 4 of 4		



Copyright FCI.