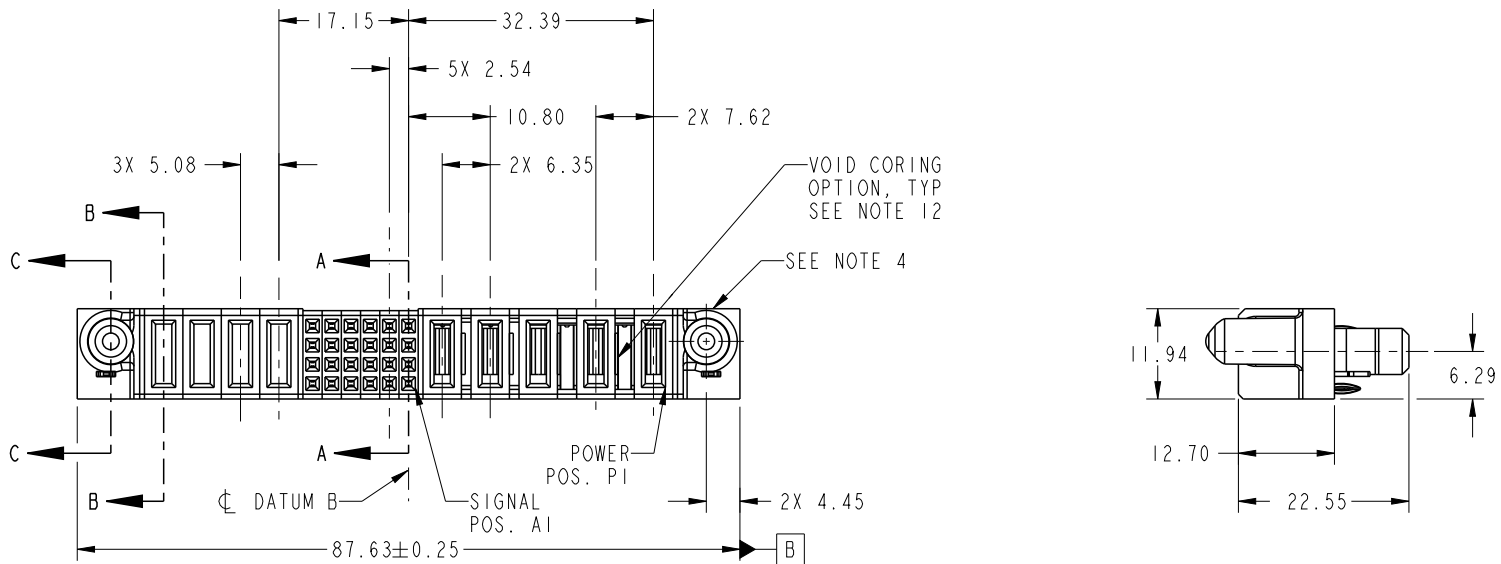


| | | | | | | | | | | | | | | | | | | |
|------------------------|------------------|-------|----|----|----|--------|---|---|---|-------|---|---|----|----|----|----|----|----|
| PRODUCT NO. | ROWS | POWER | | | | SIGNAL | | | | POWER | | | | | | | | |
| | | E2 | P9 | P8 | P7 | P6 | 6 | 5 | 4 | 3 | 2 | 1 | P5 | P4 | P3 | P2 | P1 | E1 |
| 51940-350-- NOTE: 3 | D C B A | | PC | PC | PC | PC | F | F | F | F | F | F | F | F | F | F | F | |

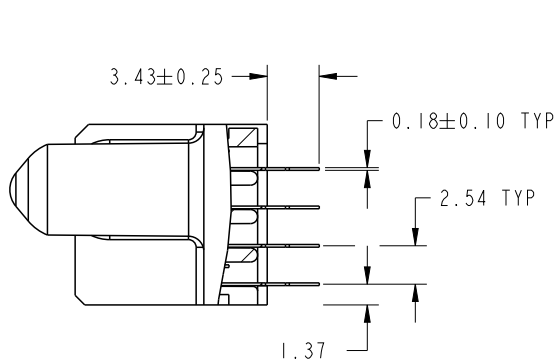


| CODE | DIM "M" MATING LENGTH | CONTACT TYPE |
|------|-----------------------|--------------|
| PC | [1.07] | POWER |
| F | [N/A] | SIGNAL |
| HA | [N/A] | HOLD-DOWN |
| PG | [1.07] | POWER |

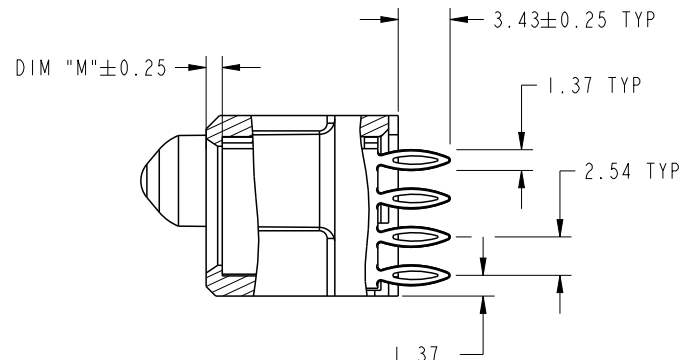
| | | | | | | | | | | |
|---------------|---------------------------------------|------|----------------|------------|----------------|--------------------------------------|--------------|--------|-----------|----------|
| spec ref | * | dr | Anson Liu | 2010/04/23 | projection | MM | size | A4 | scale | 1:1 |
| tolerance std | TOLERANCES UNLESS OTHERWISE SPECIFIED | eng | Luo Weller | 2012/09/19 | | | ecn no | - | rel level | Released |
| SEE NOTE | | chr | - | - | | | | | | |
| surface | ✓ | appr | Pei-Ming Zheng | 2012/09/19 | product family | PwrBlade | | rev | | |
| linear | | 0.X | ±0.5 | | title | 3AC CABLE P + 2DC CABLE P + 24S + 4P | | dwg no | 51940-350 | A |
| | | 0.XX | ±0.25 | | | | | | | |
| | 0.XXX | ±0.1 | | | | | | | | |
| angular | 0° | ±2° | www.fci.com | cat. no. | * | Product - Customer Drw | sheet 1 of 4 | | | |

PRODUCT NUMBER

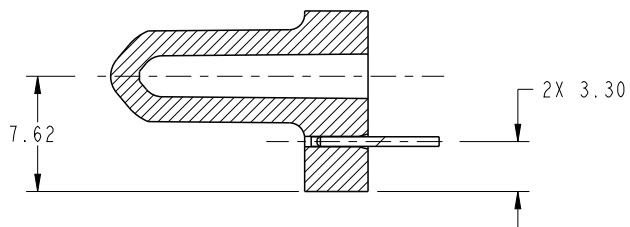
51940-350__
NOTE: 3



SECTION A-A
SCALE 2:1



SECTION B-B
SCALE 2:1



SECTION C-C
SCALE 2:1

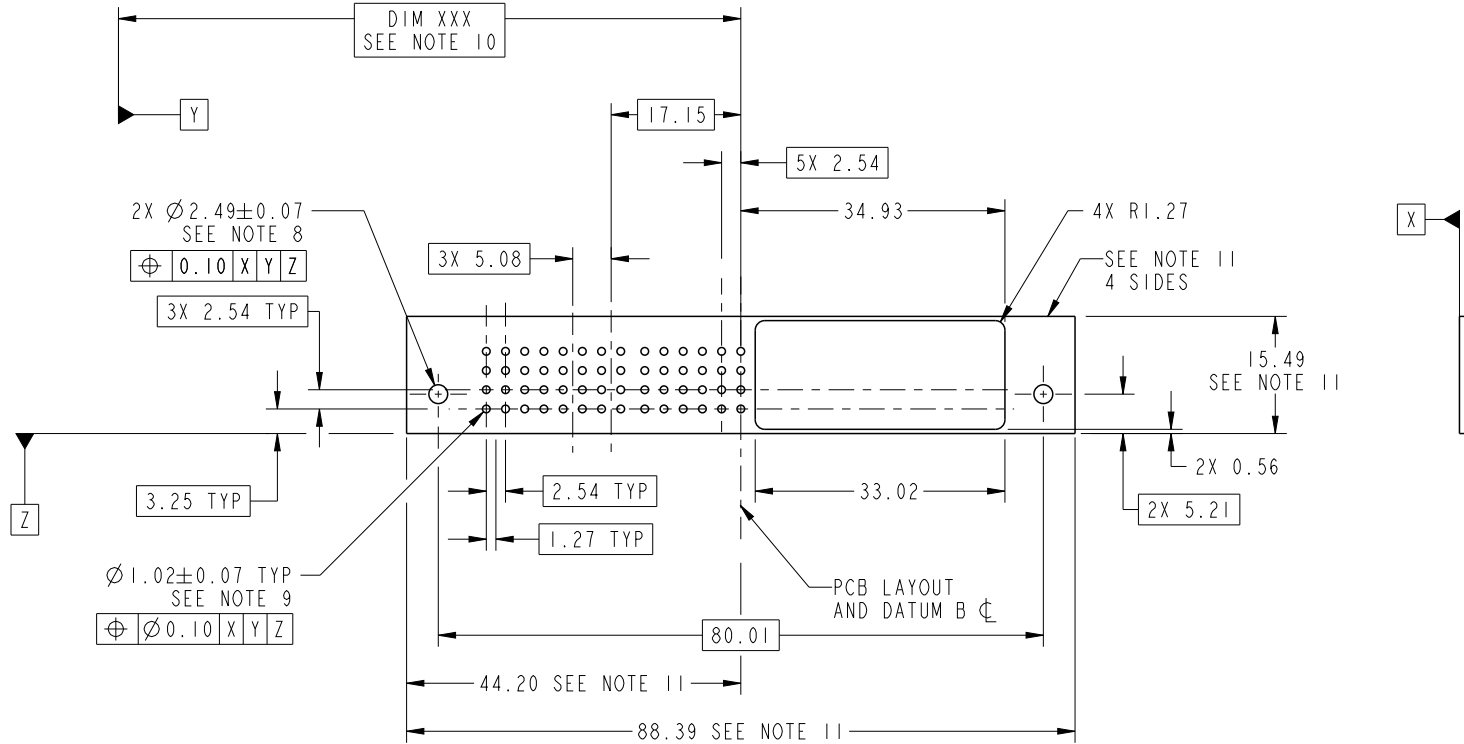
| | | | | | | | | |
|------|----------------|---|---------------------|---------------|------------------------|--------------|-------|-----|
| dr | Anson Liu | 2010/04/23 | projection | MM | size | A4 | scale | 1:1 |
| eng | Luo Weller | 2012/09/19 | | | ecn no | - | | |
| chr | - | - | | | rel level | Released | | |
| appr | Pei-Ming Zheng | 2012/09/19 | product family | PwrBlade | rev | A | | |
| | | title 3AC CABLE P + 2DC CABLE P + 24S + 4P VERTICAL PF RECEPT | dwg no 51940-350 | cat. no. * | Product - Customer Drw | sheet 2 of 4 | | |



Copyright FCI.

PRODUCT NUMBER

51940-350--
NOTE: 3



RECOMMENDED PCB LAYOUT

| | | | | | | | | | |
|-------------|----------------|--------------------------------------|------------------------|----------|-----------|--------------|-------|-----|---|
| dr | Anson Liu | 2010/04/23 | projection | MM | size | A4 | scale | 1:1 | |
| eng | Luo Weller | 2012/09/19 | | | ecn no | - | | | |
| chr | - | - | | | rel level | Released | | | |
| appr | Pei-Ming Zheng | 2012/09/19 | product family | PwrBlade | | | | | |
| | title | 3AC CABLE P + 2DC CABLE P + 24S + 4P | | | dwg no | 51940-350 | | rev | A |
| www.fci.com | cat. no. | * | Product - Customer Drw | | | sheet 3 of 4 | | | |

PRODUCT NUMBER

51940-350__
NOTE: 3

NOTES:

1. DIMENSIONS AND TOLERANCES ARE IN ACCORDANCE WITH ASME Y14.5M, 1994 UNLESS OTHERWISE SPECIFIED.

CONNECTOR NOTES:

- ② HOUSING MATERIAL: UL 94 V-0 GLASS FILLED HIGH-TEMP THERMOPLASTIC
POWER CONTACT MATERIAL: COPPER ALLOY
SIGNAL PIN MATERIAL: COPPER ALLOY
 - 3. PLATING SPEC
SEE ITEM 7 & 8 IN PRINT 10064183 FOR PLATING SPEC OF 51940-350 AND 51940-350LF RESPECTIVELY.
 - ④ MANUFACTURER'S NAME, DATE CODE AND OPTIONAL P/N TO APPEAR ON THIS SURFACE. THE P/N CAN BE OMITTED IF THERE IS NOT ENOUGH SPACE ON THIS SURFACE.
 - 5. PRODUCT SPECIFICATION GS-12-149.
APPLICATION SPECIFICATION BUS-20-067.
 - 6. PACKAGED IN TRAYS.
- PCB NOTES:
- 7. ALL HOLE DIAMETERS ARE FINISHED HOLE SIZE.
 - ⑧ MOUNTING HOLES, WHERE APPLICABLE, ARE UNPLATED.
 - ⑨ $\varnothing 1.151 \pm 0.025$ DRILLED HOLES PLATED WITH
0.008 MIN SnPb OR Sn OVER 0.03
TO 0.08 Cu PLATING TO ACHIEVE
 $\varnothing 1.02 \pm 0.07$ HOLE.
 - ⑩ "DIM XXX" TO BE DETERMINED BY THE CUSTOMER.
 - ⑪ CONNECTOR KEEP-OUT ZONE.
12. THE VOID CORING IN BETWEEN POWER MODULES, SIGNAL MODULES AND END MODULES ARE OPTIONAL AND THE SHAPE MAY BE DIFFERENT FOR OPTIMIZE THE MOLDING PROCESS. THE VOID CORING WILL NOT EFFECT TO PRODUCT FUNCTION.

| | | | | | | | | | |
|-------------|----------------|--|------------------------|----------|-----------|--------------|-------|-----|---|
| dr | Anson Liu | 2010/04/23 | projection | MM | size | A4 | scale | 1:1 | |
| eng | Luo Weller | 2012/09/19 | | | ecn no | - | | | |
| chr | - | - | | | | | | | |
| appr | Pei-Ming Zheng | 2012/09/19 | product family | PwrBlade | rel level | Released | | | |
| | title | 3AC CABLE P + 2DC CABLE P + 24S + 4P VERTICAL PF RECEPT | | | dwg no | 51940-350 | | rev | A |
| www.fci.com | cat. no. | * | Product - Customer Drw | | | sheet 4 of 4 | | | |