

Tous droits strictement réservés. Reproduction ou communication à des tiers interdite sous quelque forme que ce soit sans autorisation écrite du propriétaire. Propriété de c FCI. Droits de reproduction FCI.



All rights strictly reserved. Reproduction or issue to third parties in any form whatever is not permitted without written authority from the proprietor. Property of FCI. Copyright FCI.

PRODUCT NUMBER DESCRIPTION:
59202 - X XX - XX - XXX

PLATING
S = 0.38µm GOLD ON CONTACT AREA
0.38µm GOLD ON TAIL
G = 0.76µm GOLD ON CONTACT AREA
0.76µm GOLD ON TAIL
F = 0.20µm GOLD ON CONTACT AREA
0.20µm GOLD ON TAIL

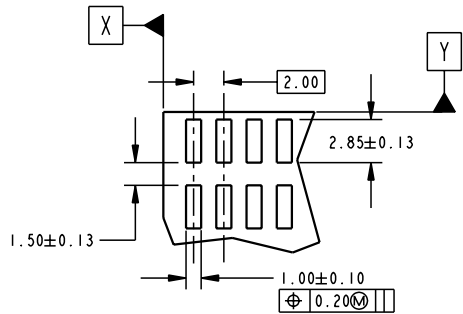
PACKAGING: - = STANDARD (NOTE 5)
U = TUBE
P = TUBE WITH PICK-UP CAP
A = TAPE & REEL WITH PICK-UP CAP

POSITIONS PER ROW = "N"
(02 to 25)

PIN STYLE	OAL
22	06.5
24	07.9
26	08.5
28	10.1
30	11.9
32	12.4
34	13.9
36	15.5
38	17.4
40	19.4

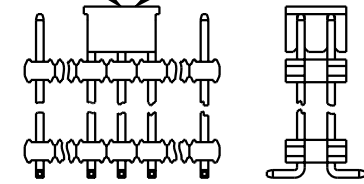
NOTES:

- MATERIAL HOUSING: HIGH TEMPERATURE THERMOPLASTIC UL 94V-0, COLOR BLACK
- MATERIAL TERMINAL: COPPER ALLOY
- TO DETERMINE DIMENSIONS:
N = NUMBER OF POSITIONS PER ROW
EX.: 10 POS., N x 2.00 = 20.00 TOTAL POSITIONS
- 0.9kg MIN. PIN RETENTION IN EITHER DIRECTION.
- PACKAGING:
(A) STANDARD PACKAGING IN POLY BAGS.
(B) SPECIAL PACKAGING IN TUBE OR TAPE AND REEL. FOR TUBE AN OPTIONAL PICK-UP CAP IS PROVIDED IN THE CENTER OF THE PRODUCT FOR PICK AND PLACE APPLICATIONS. PICK-UP CAP IS STANDARD IN TAPE AND REEL. FOR ALL SPECIAL PACKAGING, FCI MUST BE CONTACTED FOR AVAILABILITY IN SIZE REQUESTED.
- STACK HEIGHT IS DETERMINED BY CUSTOMER APPLICATION REQUIREMENTS. SPECIFIED IN mm XX.X (i.e.: 3.7=037)
- POST LENGTH IS DETERMINED BY: (OAL)-(STACK HGT.)=POST LGTH. MINIMUM MATING LENGTH 2.0mm
- DIM 1.0 APPLIES TO MOLDED SIDE(S) ONLY. IF SIDE(S) ARE BROKEN DIM 1.5 MAX APPLIES.

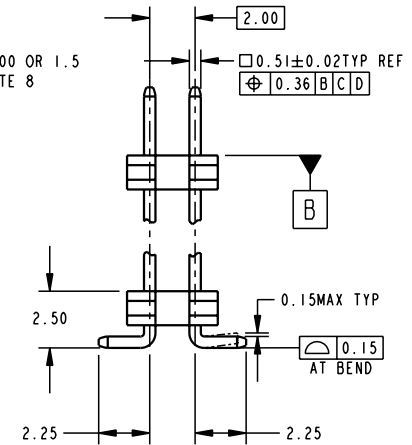
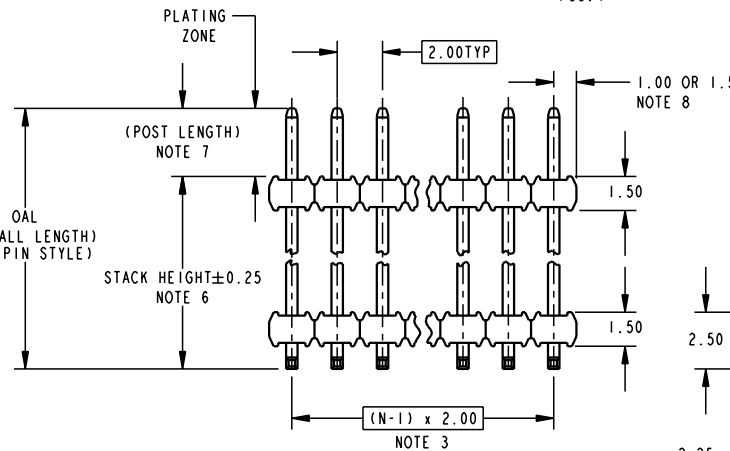
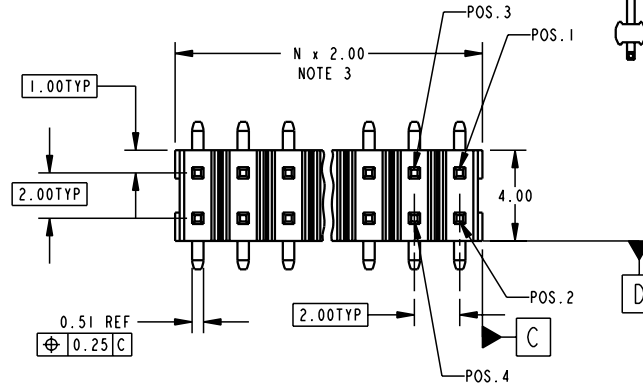


(RECOMMENDED PAD LAYOUT)
SCALE 2:1

P/N 94259-001 NOTE 5



PICK-UP CAP (OPTIONAL)
SCALE 2:1



mat'l code				tolerances unless otherwise specified		CUSTOMER		FCI ELECTRONICS	
SEE NOTES				0.X ± 0.5		COPY		www.fciconnect.com	
ltr	ecr no.	dr	date	linear	0.XX ± 0.25	projection		title	
A	V92948	TAB	09/14/99	angles	0.XXX ± 0.150	MM		2.00mm UNSHROUDED HEADER BOARD TO BOARD, SMT	
B	S10112	GIP	10/25/01	dr	0° ± 3°	scale		product family	
				engr	T.BRUNGARD 04/05/99	3:1		MINITEK	
				chr	D.JOHNESCU 04/06/99			code	
				appd	D.JOHNESCU 07/07/99			213	
sheet	revision	B						size	
index	sheet	I						dwg no	
								A 59202	
								sheet	
								1 of 1	
								cage code	
								22526	

Pro/E

3

cage code 22526

4

PDM: Rev:B

STATUS: Released

Printed: Aug 02, 2002