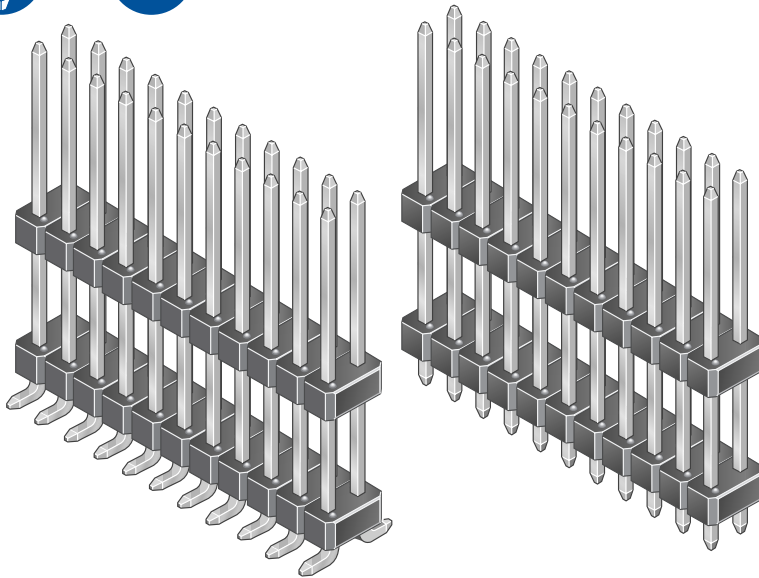


# BergStik® Unshrouded Stacking Headers 2.5 mm



- Wide variety of stack heights in 0.5 mm increments
- High temperature plastic
- Selective plating

**24 HOUR SAMPLES**

## Technical Data

### Physical

Housing: High temperature, black thermoplastic  
 Flammability rating: UL 94 V-0  
 Pin: Phosphor-bronze  
 Plating: Gold or tin-lead over 1.27 µm nickel



### Electrical Performance

Current rating: 3 A continuous  
 Insulation resistance: 5000 MΩ min.  
 Dielectric withstanding voltage: 1500 V

### Mechanical Performance

Pin retention to housing:  
 9 N min.

### Operating Temperature Range

-65°C to +125°C

### Packaging

Standard: Bags

### Reference Information

File no. E66906  
 File no. LR46923  
 Product drawing: By 5-digit base part number  
 Product specification: BUS-12-114  
 Specifications subject to change without notice.

## Mating Data

- Dubox™ Vertical receptacles Page 24
- Dubox™ Low profile vertical receptacles Page 26, 28

## Processing Information

Compatible with wave, vapor-phase, and IR reflow soldering processes

## Typical Applications

