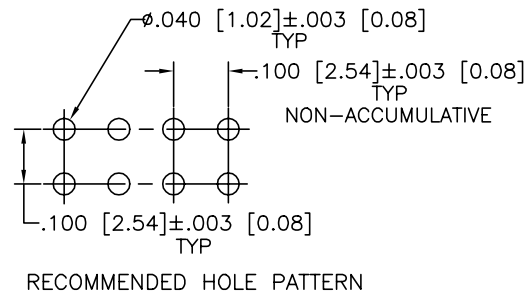
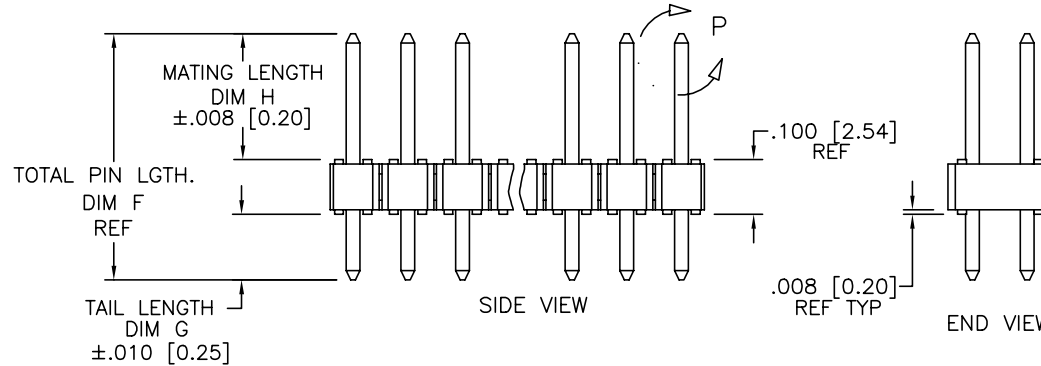
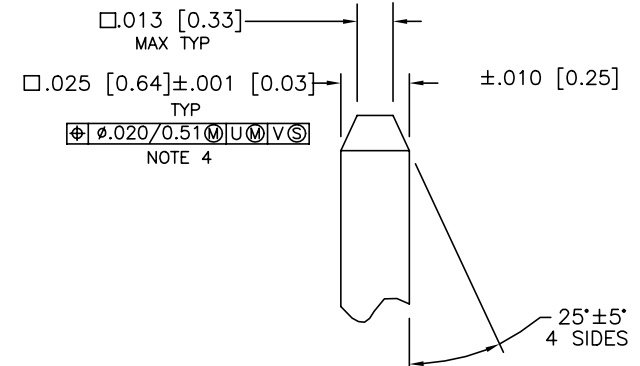
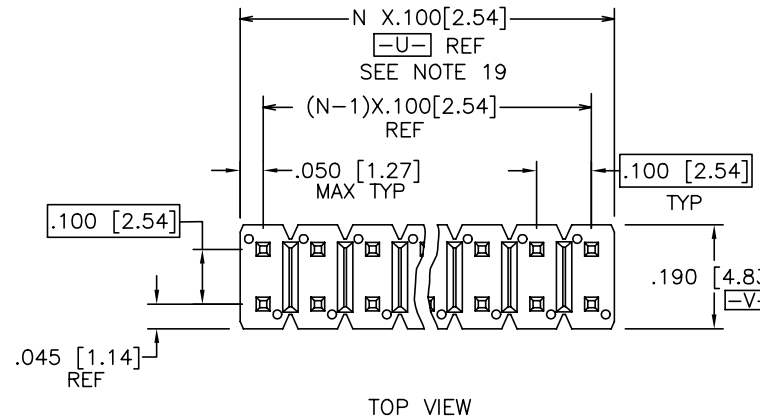


PRODUCT NUMBER
XXXXX-XYHPLF

- LEAD FREE OPTION
SEE NOTE 1,13
- SPECIAL OPTIONS
SEE NOTE 1 OR 10
- HIGH TEMPERATURE PLASTIC
SEE NOTE 1
- NO OF POSITIONS
SEE NOTE 1
- PIN PLATING
SEE SHEET 2
- BASE PART NO.



67996-X XX-XXX XXX LF

- TAIL LENGTH (EXAMPLE BELOW)
3.0mm=030 12.8mm=128
(SEE NOTE 16 & 17)
- MATING LENGTH (EXAMPLE BELOW)
5.0mm=050 25.5mm=255
(SEE NOTE 16 & 17)
- TOTAL NUMBER OF POSITIONS
FROM 2 (2X1) THRU 72 (2X36) POS.
- PIN PLATING (SEE NOTE 14)
1=0.76µm Au
4= PURE TIN
8=0.36µm Au
- BASE PART NO.
DOUBLE ROW

rev	ecn no	dr	date
CY	M06-0468	MHT	11/27/06
DA	M08-0169	MHT	2/20/08
DB	M08-0272	MHT	9/25/08
DC	M08-0331	MHT	12/01/08
DD	M09-0105	MHT	7/10/09
DE	N11-0118	J.Z	2011-04-12
DF	N11-0180	J.Z	2011-05-31

www.fciconnect.com		surface 6.4 ISO 1302	tolerance std ISO 406 ISO 1101	projection A4	INCH/MM ↔
Dr	T.BREWBAKER	12/21/94	ANGULAR	size	Scale 1.000
Eng	T.HANNA	12/21/94	LINEAR	ECN	N11-0180
Chr	J.MURPHY	12/21/94	0° ±2°	Spec ref	
Appr	T.HANNA	12/21/94	Product family	BERGSTIK	
FCI			title	BERGSTIK® II HDR. D/R .100/2.54cc STRAIGHT	Rev. DF
			catalog no	CUSTOMER	sheet 1 of 8



Copyright FCI.

PIN PLATING CODES:	
XXXX-1YY	30u"/0.76u MIN (SEE NOTE 14) OVER 50u"/1.27u MIN Ni
XXXX-2YY	15u"/0.38u MIN (SEE NOTE 14) OVER 50u"/1.27u MIN Ni
XXXX-3YY	50u"/1.27u MIN (SEE NOTE 14) OVER 50u"/1.27u MIN Ni
XXXX-4YY	100u"/2.54u MIN Sn OVER 50u"/1.27u MIN Ni (SEE NOTE 15)
XXXX-4YYHLF	
XXXX-5YY	15u"/0.38u MIN (SEE NOTE 14) OVER 50u"/1.27u MIN Ni
XXXX-6YY	30u"/0.76u MIN (SEE NOTE 14) OVER 50u"/1.27u MIN Ni
XXXX-7YY	30u"/0.76u MIN (SEE NOTE 14) OVER 50u"/1.27u MIN Ni
XXXX-8YY	15u"/0.38u MIN (SEE NOTE 14) OVER 50u"/1.27u MIN Ni
XXXX-9YY	15u"/0.38u MIN (SEE NOTE 14) OVER 50u"/1.27u MIN Ni
XXXX-0YY	30u"/0.76u MIN (SEE NOTE 14) OVER 50u"/1.27u MIN Ni

NOTES

① PART NUMBER OPTIONS:

PIN PLATING CODES (SEE ABOVE)

HIGH TEMPERATURE MATERIAL:

PART NUMBERS WITH AND WITHOUT "H" WILL BE SUPPLIED WITH HIGH TEMPERATURE PLASTIC.

NUMBER OF POSITIONS :

EVEN NUMBER OF POSITIONS FROM 2 (2X1) THROUGH 72 (2X36).
-X00H INDICATES BERGSTRIIP PRODUCT. SEE PAGE 3
FOR SPECIAL GEOMETRY OF THIS CONTINUOUS STRIP PRODUCT.
AUTOMATED REELS WILL CONTAIN 45,000 PINS.
SEE SPECIFIC PART NUMBERS FOR AVAILABILITY.

PACKAGING:

PACKAGED IN POLY BAGS.
EIGHT DIGIT PART NUMBERS FOLLOWED BY A "T" ARE PACKAGED IN TUBES. SEE SPECIFIC PART NUMBERS FOR AVAILABILITY.
EIGHT DIGIT PART NUMBERS FOLLOWED BY A "G" ARE PACKAGED IN GPAX FOR IBM ONLY. SEE SPECIFIC PART NUMBERS FOR AVAILABILITY.
PART NUMBERS FOLLOWED BY A "C" ARE PACKAGED IN TUBES WITH A PICKUP CAP APPLIED.

LEAD FREE:

ADD "HLF" SUFFIX AT THE END OF PART NUMBER FOR LEAD FREE OPTION, NOT AVAILABLE FOR -5YY,-5YYH, -6YY & -6YYH

② BODY MATERIAL:

BODY MATERIAL : MANUFACTURER'S OPTION OF NYLON, PCT GLASS FIBER REINFORCED OR MINERAL FILLED LCP FLAME RETARDENT PER UL-94V-0. COLOR: BLACK
BERGSTRIIP™ PRODUCED WITH HIGH TEMPERATURE LCP THERMOPLASTIC, FLAME RETARDENT PER UL-94V-0. COLOR: BLACK
PART NUMBERS WITH "H" AND WITHOUT SUFFIX WILL WITHSTAND EXPOSURE TO 260° C PEAK TEMPERATURE FOR 20 SECONDS IN WAVE SOLDER, INFRA-RED OR VAPOR PHASE SOLDER PROCESS.

- ③. PIN MATERIAL: PHOS BRONZE.
- ④. MEASURED WITH PART IN RESTRAINED CONDITION.
- 5. TWO SIDES OF PIN TIPS NOT PLATED. TYPICAL BOTH ENDS.
- ⑥. 2LBS/0.9KG MIN PIN RETENTION IN EITHER DIRECTION.
- 7. MILITARY BERGSTIK HEADER
P/N XXXXX-YYY-MIL
NOT AVAILABLE.
- ⑧. ±.010/0.25 TOL APPLIES TO ALL "G" TAILS EXCEPT INDICATED PARTS ON TABLE WHERE +.010/0.25 -.000/0.00 APPLIES.
- ⑨. NOTCH CONFIGURATION WILL VARY PER VENDOR'S DISCRETION.
- ⑩. BERGSTRIIP™ PART NUMBERS FOLLOWED BY BY A "B" ARE BULK PRICED.
- ⑪. TAIL LENGTH (DIM. G) TO BE ±.008/0.20.
- 12. POSITIONS PER ROW 37 TO 50 CAN BE PRODUCED, BUT FLATNESS AND CURVATURE MAY NOT BE HELD AS CLOSE AS 36 POSITIONS.
- ⑬. THESE PRODUCTS MEETS EUROPEAN UNION DIRECTIVES AND OTHER COUNTRY REGULATION AS DESCRIBED IN GS-22-008.
- ⑭. PLATING OPTIONS:
PERFORMANCE PLATING WILL BE EITHER GOLD OR GXT ON POST OR TAIL, OPTIONALLY (78~295u"/2~7.5u) TIN ON TAIL.
- ⑮. "THIS PRODUCT HAS 100% TIN PLATING IN THE INTERFACE AND HAS NOT BEEN TESTED FOR WHISKER GROWTH IN ALL INTERCONNECT ENVIRONMENTS."
- ⑯. THE OAL DON'T EXCEED 34.5mm
- ⑰. INCREMENTS BY 0.1mm IN LENGTHS ONLY
- 18. FOR SPECIAL PACKAGING REQUEST PLEASE CONTACT PRODUCT MANAGER FOR AVAILABILITY
- ⑰. TO DETERMINE DIMENSIONS:
N=NUMBER OF POSITION PER ROW
EXAMPLE: 10 POS. N X .100/2.54



Copyright FCI.

www.fciconnect.com			surface ISO 1302 ✓	tolerance std ISO 406 ISO 1101	projection ⊕	INCH/MM ↔	
			TOLERANCES UNLESS OTHERWISE SPECIFIED				
Dr	T.BREWBAKER	12/21/94	ANGULAR	LINEAR	0.X	±0.3	size A4
Eng	T.HANNA	12/21/94			0.XX	±0.15	
Chr	J.MURPHY	12/21/94	0°	±2°	0.XXX	±0.05	ECN N11-0180
Appr	T.HANNA	12/21/94	Product family		BERGSTIK		Spec ref
FCI			title		BERGSTIK® II HDR. D/R .100/2.54cc STRAIGHT		dwg no 67996
			catalog no		CUSTOMER		Rev. DF
					sheet 2 of 8		

1

2

3

4

A

B

C

D

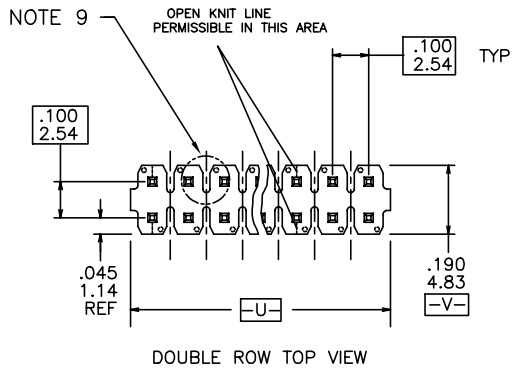
A

B

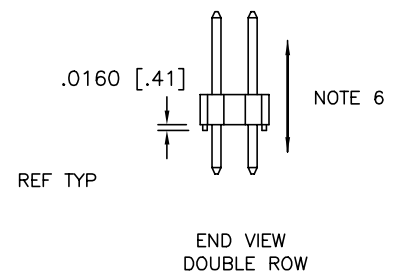
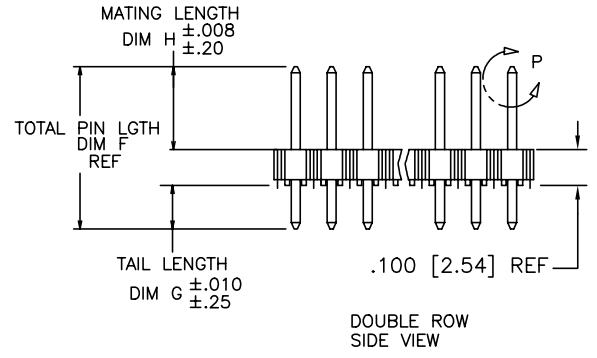
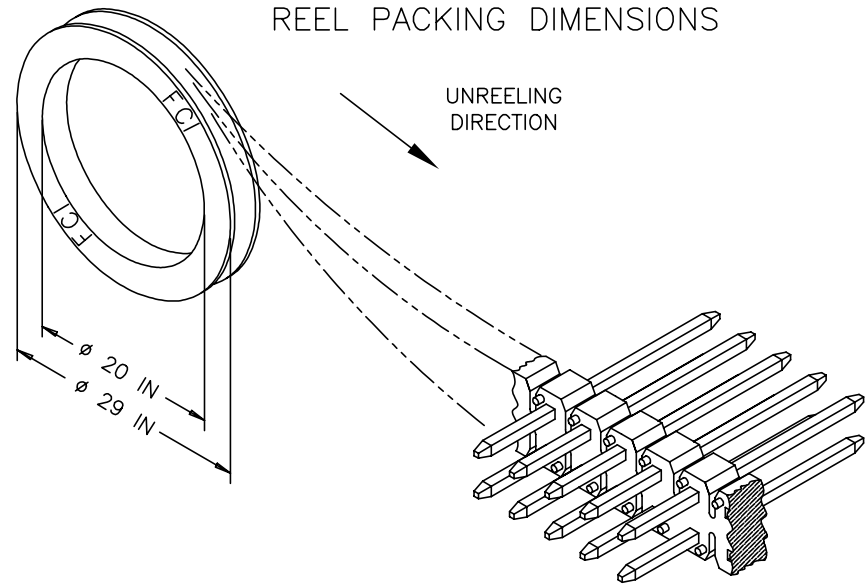
C

D

BERGSTRIK™ HEADER



REEL PACKING DIMENSIONS



Copyright FCI.

www.fciconnect.com			surface ISO 1302 ✓	tolerance std ISO 406 ISO 1101	projection A4	INCH/MM		
			TOLERANCES UNLESS OTHERWISE SPECIFIED				←→	
Dr	T.BREWBAKER	12/21/94	ANGULAR	LINEAR	0.X	±0.3	size A4	Scale 1.000
Eng	T.HANNA	12/21/94			0.XX	±0.15		
Chr	J.MURPHY	12/21/94	0°	±2°	0.XXX	±0.05	ECN	N11-0180
Appr	T.HANNA	12/21/94	Product family		BERGSTIK		Spec ref	
FCI			title		BERGSTIK® II HDR. D/R .100/2.54cc STRAIGHT		dwg no 67996	
			catalog no		CUSTOMER		sheet 3 of 8	

1

2

PRODUCT NUMBER	TOT. PIN LGTH.		TAIL LENGTH		MATING LENGTH		PACKAGING	NOTES	BERGSTRIIP™ AVAILABLE	LF OPTION
	DIM F	DIM F	DIM G	DIM G	DIM H	DIM H				
	ENGLISH	METRIC	ENGLISH	METRIC	ENGLISH	METRIC				
55005-XYH	0.597	15.16	0.095	2.41	0.402	10.21	POLY BAGS	-	YES	NOTE 1,13
55030-XYH	0.630	16.00	0.150	3.81	0.380	9.65	POLY BAGS	-	YES	
67996-XY	0.425	10.80	0.095	2.41	0.230	5.84	POLY BAGS/TUBES	-	YES	
67997-XY	0.450	11.43	0.120	3.05	0.230	5.84	POLY BAGS/TUBES	-	YES	
67997-XYH	0.450	11.43	0.120	3.05	0.230	5.84	POLY BAGS/TUBES	-	YES	
67998-XY	0.525	13.34	0.107	2.72	0.318	8.08	POLY BAGS/TUBES	-	YES	
67999-XY	0.548	13.92	0.130	3.30	0.318	8.08	POLY BAGS	-	NO	
68438-XY	0.555	14.10	0.225	5.72	0.230	5.84	POLY BAGS/TUBES	-	NO	
68439-XY	0.720	18.29	0.120	3.05	0.500	12.70	POLY BAGS	-	NO	
68464-XY	0.650	16.51	0.120	3.05	0.430	10.92	POLY BAGS/TUBES	-	NO	
68481-XY	0.480	12.19	0.095	2.41	0.285	7.24	POLY BAGS/TUBES	-	NO	
68482-XY	0.938	23.83	0.318	8.08	0.520	13.21	POLY BAGS	-	NO	
68491-XY	0.475	12.07	0.120	3.05	0.255	6.48	POLY BAGS/TUBES	-	NO	
68600-XY	0.825	20.96	0.115	2.92	0.610	15.49	POLY BAGS	-	NO	
68601-XY	0.620	15.75	0.120	3.05	0.400	10.16	POLY BAGS	-	NO	
68602-XY	0.480	12.19	0.150	3.81	0.230	5.84	POLY BAGS	-	YES	
68690-XY	0.533	13.54	0.115	2.92	0.318	8.08	POLY BAGS	-	NO	
68691-XY	0.538	13.67	0.120	3.05	0.318	8.08	POLY BAGS	-	YES	
68692-XY	0.430	10.92	0.100	2.54	0.230	5.84	POLY BAGS	-	NO	
68693-XY	0.938	23.83	0.520	13.21	0.318	8.08	POLY BAGS	-	NO	
68716-XY	0.828	21.03	0.410	10.41	0.318	8.08	POLY BAGS	-	NO	
68734-XY	0.615	15.62	0.230	5.84	0.285	7.24	POLY BAGS	-	NO	
68737-XY	0.440	11.18	0.110	2.79	0.230	5.84	POLY BAGS	-	YES	
68738-XY	0.615	15.62	0.115	2.92	0.400	10.16	POLY BAGS	-	NO	
68739-XY	0.486	12.34	0.156	3.96	0.230	5.84	POLY BAGS	-	NO	
68743-XY	0.638	16.21	0.220	5.59	0.318	8.08	POLY BAGS	-	NO	
68749-XY	0.838	21.29	0.420	10.67	0.318	8.08	POLY BAGS	-	NO	
68779-XY	0.736	18.69	0.318	8.08	0.318	8.08	POLY BAGS	-	NO	
68783-XY	0.375	9.53	0.045	1.14	0.230	5.84	POLY BAGS	-	NO	
68799-XY	0.925	23.50	0.595	15.11	0.230	5.84	POLY BAGS	-	NO	NOTE 1,13



Copyright FCI.

www.fciconnect.com			surface ISO 1302 <input checked="" type="checkbox"/>	tolerance std ISO 406 ISO 1101	projection	INCH/MM
			TOLERANCES UNLESS OTHERWISE SPECIFIED			
Dr	T.BREWBAKER	12/21/94	ANGULAR	LINEAR	0.X	±0.3
Eng	T.HANNA	12/21/94			0.XX	±0.15
Chr	J.MURPHY	12/21/94	0°	±2°	0.XXX	±0.05
Appr	T.HANNA	12/21/94	Product family		BERGSTIK	Spec ref
			title		BERGSTIK® II HDR. D/R	
					.100/2.54cc STRAIGHT	
			catalog no		dwg no	67996
					Rev.	DF
					CUSTOMER	sheet 4 of 8

1

2

3

4

PRODUCT NUMBER	TOT. PIN LGTH.		TAIL LENGTH		MATING LENGTH		PACKAGING	NOTES	BERGSTRIPTM	LF OPTION
	DIM F	DIM F	DIM G	DIM G	DIM H	DIM H			AVAILABLE	
	ENGLISH	METRIC	ENGLISH	METRIC	ENGLISH	METRIC				
69132-XY	0.760	19.30	0.120	3.05	0.540	13.72	POLY BAGS/TUBES	-	NO	NOTE 1,13
69133-XY	0.615	15.62	0.285	7.24	0.230	5.84	POLY BAGS	-	NO	
69157-XY	0.410	10.41	0.110	2.79	0.200	5.08	POLY BAGS	-	NO	
71217-XYH	1.000	25.40	0.450	11.43	0.450	11.43	POLY BAGS	-	NO	
71222-XYH	0.850	21.59	0.250	6.35	0.500	12.70	POLY BAGS	-	NO	
72273-XYH	0.725	18.42	0.110	2.79	0.515	13.08	POLY BAGS	-	NO	
72448-XYH	0.658	16.71	0.172	4.37	0.386	9.80	POLY BAGS	-	NO	
72455-XYH	0.598	15.19	0.180	4.57	0.318	8.08	POLY BAGS	-	NO	
72455-632HG	0.598	15.19	0.180	4.57	0.318	8.08	GPAX	NOTE 1	NO	
73503-XYH	0.420	10.67	0.120	3.05	0.200	5.08	POLY BAGS	-	NO	
73596-XYH	0.795	20.19	0.110	2.79	0.585	14.86	POLY BAGS	-	NO	
74317-XYH	0.532	13.51	0.309	7.85	0.123	3.12	POLY BAGS	NOTE 11	NO	
74318-XYH	0.592	15.04	0.369	9.37	0.123	3.12	POLY BAGS	NOTE 11	NO	
74999-XYH	0.508	12.90	0.090	2.29	0.318	8.08	POLY BAGS	-	NO	
78212-XY	0.710	18.03	0.350	8.89	0.260	6.60	POLY BAGS	-	NO	
78233-XY	0.568	14.43	0.150	3.81	0.318	8.08	POLY BAGS	-	NO	
78269-XY	0.385	9.78	0.095	2.41	0.190	4.83	POLY BAGS	-	NO	
78286-XY	0.500	12.70	0.160	4.06	0.240	6.10	POLY BAGS/TUBES	-	NO	
78932-XY	UNAVAILAB	LE	UNAVAILAB	LE	UNAVAILAB	LE		-	-	
78933-XY	0.695	17.65	0.285	7.24	0.310	7.87	POLY BAGS	-	NO	
78988-XY	0.540	13.72	0.135	3.43	0.305	7.75	POLY BAGS	-	NO	
78989-XY	UNAVAILAB	LE	UNAVAILAB	LE	UNAVAILAB	LE		-	-	
78990-XY	UNAVAILAB	LE	UNAVAILAB	LE	UNAVAILAB	LE		-	-	
78991-XY	UNAVAILAB	LE	UNAVAILAB	LE	UNAVAILAB	LE		-	-	
78992-XY	UNAVAILAB	LE	UNAVAILAB	LE	UNAVAILAB	LE		-	-	
78993-XY	UNAVAILAB	LE	UNAVAILAB	LE	UNAVAILAB	LE		-	-	
78994-XY	UNAVAILAB	LE	UNAVAILAB	LE	UNAVAILAB	LE		-	-	NOTE 1,13



Copyright FCI.

www.fciconnect.com			surface ISO 1302	<input checked="" type="checkbox"/>	tolerance std ISO 406 ISO 1101	projection 	INCH/MM ←→	
			TOLERANCES UNLESS OTHERWISE SPECIFIED					
Dr	T.BREWBAKER	12/21/94	ANGULAR	LINEAR	0.X	±0.3	size A4	Scale 1.000
Eng	T.HANNA	12/21/94			0.XX	±0.15		
Chr	J.MURPHY	12/21/94	0°	±2°	0.XXX	±0.05	ECN	N11-0180
Appr	T.HANNA	12/21/94	Product family		BERGSTIK	Spec ref		
			title BERGSTIK® II HDR. D/R .100/2.54cc STRAIGHT			dwg no 67996		Rev. DF
			catalog no			CUSTOMER		sheet 5 of 8

REV F - 2006-04-17

1

2

PDM: Rev:DF

STATUS:Released 4 Printed: Jun 02, 2011

1

2

3

4

PRODUCT NUMBER	TOT. PIN LGTH.		TAIL LENGTH		MATING LENGTH		PACKAGING	NOTES	BERGSTRIPTM	LF OPTION
	DIM F	DIM F	DIM G	DIM G	DIM H	DIM H			AVAILABLE	
	ENGLISH	METRIC	ENGLISH	METRIC	ENGLISH	METRIC				
78995-XYY	UNAVAILABLE		UNAVAILABLE		UNAVAILABLE			-	-	NOTE 1,13
78996-XYY	UNAVAILABLE		UNAVAILABLE		UNAVAILABLE			-	-	
79242-XYY	0.930	23.62	0.340	8.64	0.490	12.45	POLY BAGS	-	NO	NOTE 1,13
79243-XYY	1.230	31.24	0.390	9.91	0.740	18.80	POLY BAGS	-	NO	
79244-XYY	UNAVAILABLE		UNAVAILABLE		UNAVAILABLE			-	-	
79268-XYY	1.020	25.91	0.120	3.05	0.800	20.32	POLY BAGS	-	NO	
79271-XYY	1.100	27.94	0.500	12.70	0.500	12.70	POLY BAGS	-	NO	
79425-XYY	0.410	10.41	0.120	3.05	0.190	4.83	POLY BAGS	-	NO	
79821-XYY	0.730	18.54	0.200	5.08	0.430	10.92	POLY BAGS	-	NO	
84610-XXYH	0.380	9.65	0.120	3.05	0.160	4.06	POLY BAGS	-	NO	
84760-XXYH	0.870	22.09	0.150	3.81	0.620	15.74	POLY BAGS	-	NO	
84784-XXYH	1.130	28.70	0.122	3.09	0.908	23.06	POLY BAGS	-	NO	
84934-XXYH	1.375	34.93	0.625	15.88	0.650	16.51	POLY BAGS	-	NO	
84976-XXYH	0.730	18.54	0.400	10.16	0.230	5.84	POLY BAGS	-	NO	
86503-XYY	0.470	11.94	0.120	3.05	0.250	6.35	POLY BAGS	-	NO	
86581-XYY	0.450	11.43	0.120	3.05	0.230	5.84	POLY BAGS	NOTE 8	NO	
86817-XYY	0.925	23.50	0.120	3.05	0.705	17.91	POLY BAGS	-	NO	
86827-XYY	0.700	17.78	0.120	3.05	0.480	12.19	POLY BAGS	-	NO	
86832-XYY	0.525	13.34	0.100	2.54	0.325	8.26	POLY BAGS	-	NO	
86834-XYY	1.335	33.91	0.585	14.86	0.650	16.51	POLY BAGS	-	NO	
86836-XYY	0.870	22.10	0.120	3.05	0.650	16.51	POLY BAGS	-	NO	
86837-XYY	0.600	15.24	0.120	3.05	0.380	9.65	POLY BAGS	-	NO	
87037-XYY	1.240	31.50	0.120	3.05	1.020	25.91	POLY BAGS	-	NO	
87052-XYY	0.990	25.15	0.120	3.05	0.770	19.56	POLY BAGS	-	NO	
87203-XYY	0.545	13.84	0.150	3.81	0.295	7.49	POLY BAGS	-	NO	
87344-XYY	1.375	34.93	0.219	5.56	1.056	26.82	POLY BAGS	-	NO	NOTE 1,13



Copyright FCI.

www.fciconnect.com			surface ISO 1302 <input checked="" type="checkbox"/>	tolerance std ISO 406 ISO 1101	projection 	INCH/MM ←→		
			TOLERANCES UNLESS OTHERWISE SPECIFIED					
Dr	T.BREWBAKER	12/21/94	ANGULAR	LINEAR	0.X	±0.3	size A4	Scale 1.000
Eng	T.HANNA	12/21/94			0.XX	±0.15		
Chr	J.MURPHY	12/21/94	0°	±2°	0.XXX	±0.05	ECN	N11-0180
Appr	T.HANNA	12/21/94	Product family		BERGSTIK		Spec ref	
			title BERGSTIK® II HDR. D/R .100/2.54cc STRAIGHT			dwg no 67996		Rev. DF
			catalog no			CUSTOMER		sheet 6 of 8

REV F - 2006-04-17

1

2

PDM: Rev:DF

STATUS:Released 4 Printed: Jun 02, 2011

1

2

3

4

PRODUCT NUMBER	TOT. PIN LGTH.		TAIL LENGTH		MATING LENGTH		PACKAGING	NOTES	BERGSTRIPTM	LF OPTION
	DIM F	DIM F	DIM G	DIM G	DIM H	DIM H			AVAILABLE	
	ENGLISH	METRIC	ENGLISH	METRIC	ENGLISH	METRIC				
87345-XY	1.218	30.94	0.406	10.31	0.712	18.08	POLY BAGS	-	NO	NOTE 1,13
87348-XY	0.930	23.62	0.100	2.54	0.730	18.54	POLY BAGS	-	NO	
87349-XY	0.890	22.61	0.110	2.79	0.680	17.27	POLY BAGS	-	NO	
87381-XY	0.645	16.38	0.100	2.54	0.445	11.30	POLY BAGS	-	NO	
87382-XY	0.675	17.15	0.100	2.54	0.475	12.07	POLY BAGS	-	NO	
87503-XYH	0.630	16.00	0.110	2.79	0.420	10.67	POLY BAGS	-	NO	
87869-XY	0.690	17.53	0.230	5.84	0.360	9.14	POLY BAGS	-	NO	
87894-XY	0.588	14.94	0.170	4.32	0.318	8.08	POLY BAGS	-	NO	
87900-XY	0.940	23.88	0.120	3.05	0.720	18.29	POLY BAGS	-	NO	
87901-XY	1.040	26.42	0.120	3.05	0.820	20.83	POLY BAGS	-	NO	
87903-XY	0.963	24.46	0.337	8.56	0.526	13.36	POLY BAGS	-	NO	
88797-XY	0.950	24.13	0.320	8.13	0.530	13.46	POLY BAGS	-	NO	
88812-XY	0.415	10.54	0.085	2.16	0.230	5.84	POLY BAGS/TUBES	NOTE 8	NO	
88886-XY	1.306	33.17	0.276	7.01	0.930	23.62	POLY BAGS	-	NO	
89446-XY	0.930	23.62	0.120	3.05	0.710	18.03	POLY BAGS	-	NO	
89540-XY	0.760	19.30	0.280	7.11	0.380	9.65	POLY BAGS	-	NO	
89542-XY	1.065	27.05	0.125	3.18	0.840	21.34	POLY BAGS	-	NO	
89639-XY	1.260	32.00	0.118	3.00	1.042	26.47	POLY BAGS	-	NO	
91828-XY	0.450	11.43	0.120	3.05	0.230	5.84	TUBES	-	NO	
92417-XY	0.530	13.46	0.110	2.79	0.320	8.13	POLY BAGS	-	NO	
93216-XYH	0.573	14.55	0.155	3.94	0.318	8.08	POLY BAGS/TUBES	-	NO	
93216-632HG	0.573	14.55	0.155	3.94	0.318	8.08	GPAX	NOTE 1	NO	
93217-XYH	0.395	10.03	0.095	2.41	0.200	5.08	POLY BAGS	-	NO	
93254-XY	0.563	14.30	0.110	2.79	0.353	8.97	POLY BAGS	-	NO	NOTE 1,13



Copyright FCI.

D

www.fciconnect.com			surface ISO 1302	<input checked="" type="checkbox"/>	tolerance std ISO 406 ISO 1101	projection 	INCH/MM ←→
TOLERANCES UNLESS OTHERWISE SPECIFIED			ANGULAR	LINEAR	0.X ±0.3	size A4	Scale 1.000
Dr	T.BREWBAKER	12/21/94	0°	±2°	0.XX ±0.15	ECN	N11-0180
Eng	T.HANNA	12/21/94			0.XXX ±0.05	Spec ref	
Chr	J.MURPHY	12/21/94	Product family		BERGSTIK		
Appr	T.HANNA	12/21/94	title		BERGSTIK® II HDR. D/R .100/2.54cc STRAIGHT	dwg no	67996
catalog no			CUSTOMER		sheet 7 of 8		

REV F - 2006-04-17

1

2

PDM: Rev:DF

STATUS:Released 4 Printed: Jun 02, 2011

1

2

3

4

PRODUCT NUMBER	TOT. PIN LGTH.		TAIL LENGTH		MATING LENGTH		PACKAGING	NOTES	BERGSTRIPTM AVAILABLE	LF OPTION
	DIM F	DIM F	DIM G	DIM G	DIM H	DIM H				
	ENGLISH	METRIC	ENGLISH	METRIC	ENGLISH	METRIC				
94010-YYYH	0.756	19.20	0.350	8.89	0.306	7.77	POLY BAGS	-	NO	NOTE 1,13 ↓
94532-YYYH	1.250	31.75	0.450	11.43	0.700	17.78	POLY BAGS	-	NO	
95105-XY	0.370	9.40	0.126	3.20	0.144	3.66	POLY BAGS	-	NO	
95645-YYYH	0.350	8.89	0.100	2.54	0.150	3.81	POLY BAGS	-	NO	
95652-YYYH	0.500	12.70	0.070	1.78	0.330	8.38	POLY BAGS	-	NO	
95665-YYYH	0.835	21.21	0.335	8.51	0.400	10.16	POLY BAGS	-	NO	
95687-YYYH	0.820	20.83	0.360	9.14	0.360	9.14	POLY BAGS	-	NO	
95712-YYYH	1.090	27.69	0.110	2.79	0.880	22.35	POLY BAGS	-	NO	
95727-YYYH	0.825	20.96	0.110	2.79	0.615	15.62	POLY BAGS	-	NO	
98181-YYYH	0.760	19.30	0.218	5.54	0.442	11.23	POLY BAGS	-	NO	
98217-YYYH	0.756	19.20	0.328	8.33	0.328	8.33	POLY BAGS	-	NO	
98329-YYYH	0.930	23.62	0.415	10.54	0.415	10.54	POLY BAGS	-	NO	
98854-YYYH	0.450	11.43	0.120	3.05	0.230	5.84	TUBES	-	NO	
10017852-YYYH	0.450	11.43	0.125	3.18	0.225	5.72	POLYBAGS	-	NO	
10074747-YYYH	0.850	21.59	0.520	13.21	0.230	5.84	POLYBAGS	-	NO	NOTE 1,13

A

B

C

D

A

B

C

D



Copyright FCI.

www.fciconnect.com			surface ISO 1302	tolerance std ISO 406 ISO 1101	projection A4	INCH/MM
			TOLERANCES UNLESS OTHERWISE SPECIFIED		←→	
Dr	T.BREWBAKER	12/21/94	ANGULAR	0.X	±0.3	Scale 1.000
Eng	T.HANNA	12/21/94	LINEAR	0.XX	±0.15	ECN N11-0180
Chr	J.MURPHY	12/21/94	0° ±2°	0.XXX	±0.05	Spec ref
Appr	T.HANNA	12/21/94	Product family	BERGSTIK		
			title BERGSTIK® II HDR. D/R .100/2.54cc STRAIGHT		dwg no 67996	Rev. DF
catalog no			CUSTOMER		sheet 8 of 8	


REV F - 2006-04-17

1

2

PDM: Rev:DF

STATUS:Released 4 Printed: Jun 02, 2011



[Our Group](#) [Sales channels](#) [Press room](#) [Contact us](#) [Languages](#)

search **GO**

Registered users
Login
Password **GO**
[Forgot password?](#)
[Register Now](#)

[Product Type](#) [Connection Type](#) [Applications](#) [Alphabetical List](#)

[Product Focus](#)

Direct Link ...

- Cross reference
- RoHS/LF P/N Search
- Customer drawing search
- 3D model search
- Industry Standards

Services ...

- E-Services
- Distributor list
- Price request
- Order samples

Documentation ...

- Free search
- Search by category

Start > Search=67996-714HLF* > 67996-714HLF

67996-714HLF

67996-714HLF : 67996-714HLF BERG II 100CC DR

ACTIVE

Product Image Unavailable

 **Customer drawing**  **Environmental Compliance Report**