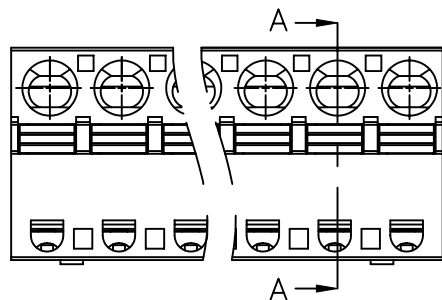


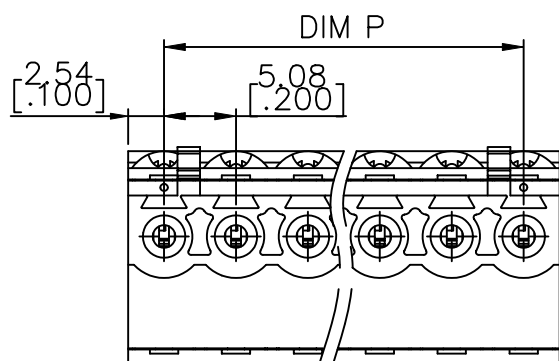
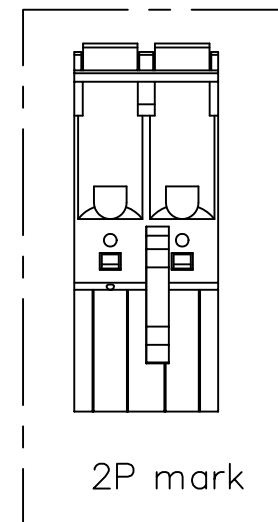
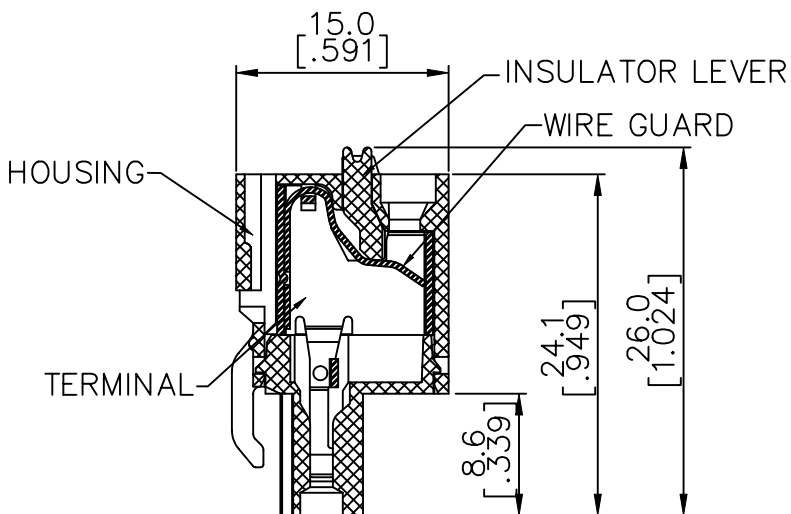
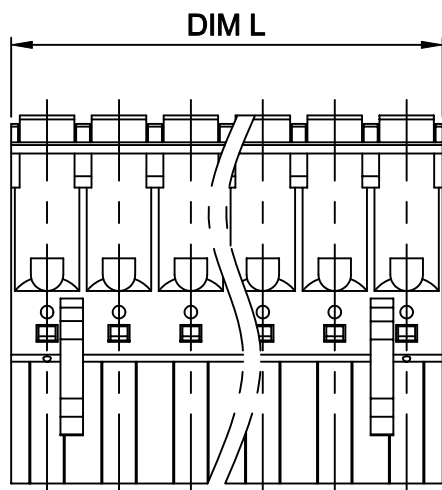


PRODUCT NUMBER	SERIES NAME	PITCH
20020037-HXXXXXLf	35-508	5.08 mm



N = Number of poles
 DIM. L = (N x 5.08 [.200])
 DIM. P = (N - 1) x 5.08 [.200]

POLES	Dim. L & P
2-6p	±0.15 [.006]
7-12p	±0.20 [.010]
13-16p	±0.30 [.012]
17-24p	±0.40 [.016]



mat'l. code		surface ASME Y14.5 ✓	tolerance ASME Y14.5	projection 	product family TERMINAL BLOCK
ltr	ecn no	dr	date	title TERMINAL BLOCK PLUGGABLE SIGNAL PLUG, UPSIDE CONTACT WITHOUT FLANGE	
B				angles X ± 0.5 X.X ± 0.3 X.XX ± 0.1	scale MM [INCH]
		dr	WENDY CHEN	122310	dwg no
		enr	JASON HSU	122310	sheet 3 of 3
		chr	JASON HSU	122310	20020037
		appd	JASON HSU	122310	A4
sheet index	revision sheet				type CUSTOMER Drawing

