

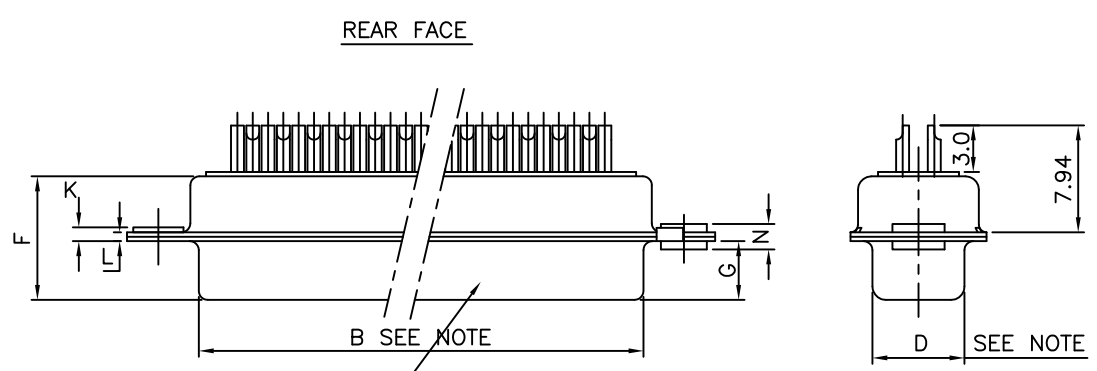
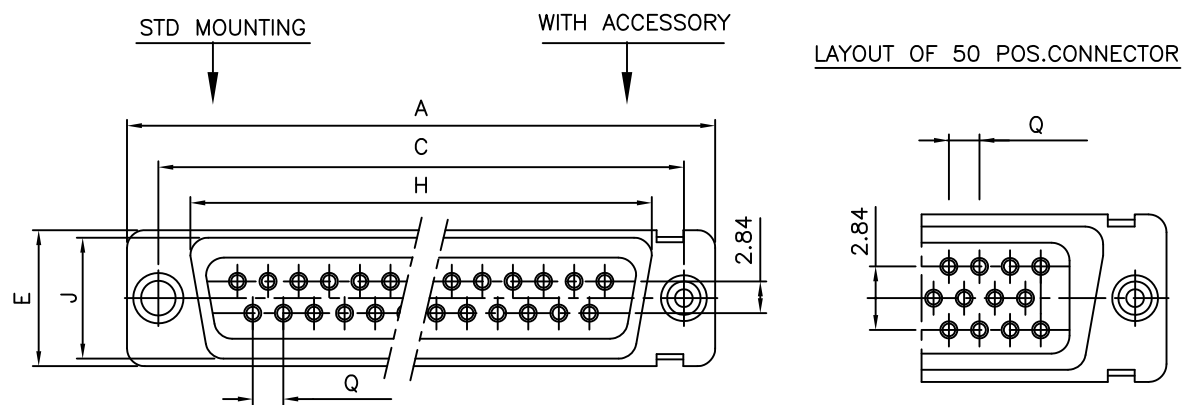


FCIconnect.com

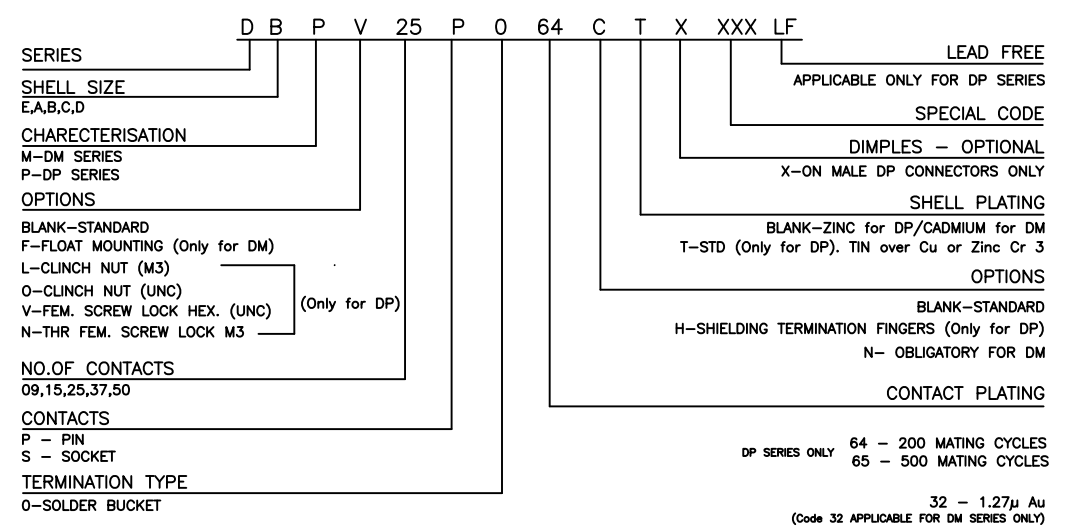
Copyright FCI



1 2 3 4 5 6

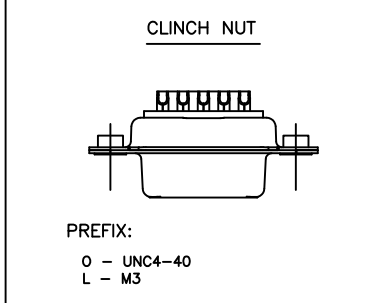
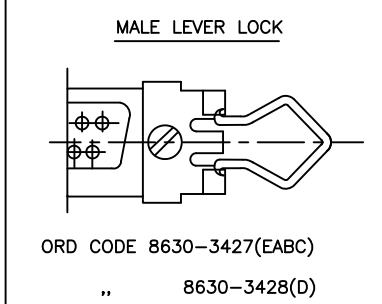
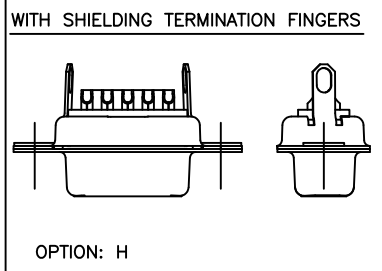


ORDERING INFORMATION



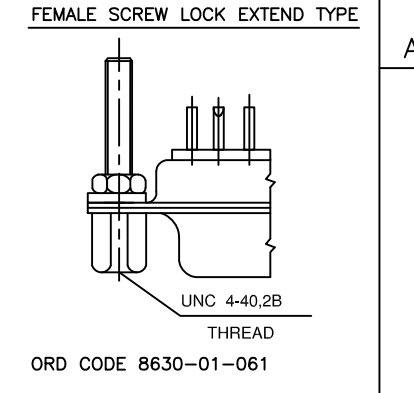
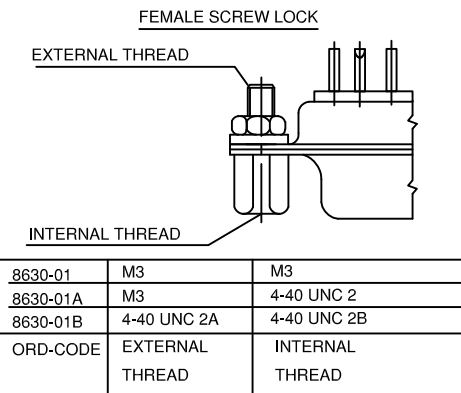
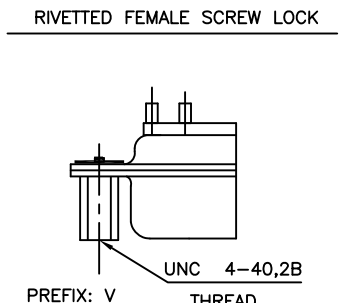
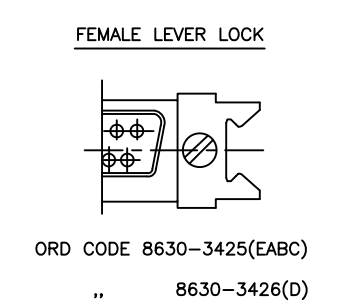
"This LF product meets European Union Directives and other country regulations as described in GS-22-008"

Packaging as per GS-14-920



50	P	66.65	52.68	61.11	11.08	14.99	11.09	5.85	55.07	13.31	1.50	1.0	3.10	3.05	2.20	2.76
	S	66.65	52.30	61.11	10.62	14.99	11.21	6.05	55.07	13.31	1.10	0.8	3.10	2.85	2.20	2.76
37	P	68.94	55.30	63.50	8.23	12.17	11.09	5.85	57.45	10.46	1.50	1.0	3.10	3.05	2.20	2.76
	S	68.94	54.71	63.50	7.77	12.17	11.21	6.05	57.45	10.46	1.10	0.8	3.10	2.85	2.20	2.76
25	P	52.65	38.84	47.04	8.23	12.17	11.07	5.85	41.02	10.46	1.10	0.8	3.10	2.85	2.20	2.76
	S	52.65	38.25	47.04	7.77	12.17	11.21	6.05	41.02	10.46	1.10	0.8	3.10	2.85	2.20	2.76
15	P	38.76	25.12	33.32	8.23	12.17	10.99	5.85	27.25	10.46	1.10	0.8	3.10	2.85	2.20	2.74
	S	38.76	24.54	33.32	7.77	12.17	11.21	6.05	27.25	10.46	1.10	0.8	3.10	2.85	2.20	2.74
09	P	30.43	16.79	24.99	8.23	12.17	10.99	5.85	19.02	10.46	1.10	0.8	3.10	2.85	2.20	2.74
	S	30.43	16.21	24.99	7.77	12.17	11.21	6.05	19.02	10.46	1.10	0.8	3.10	2.85	2.20	2.74
SHELL SIZE		A-0	B-0	C	D-0	E-0	F MAX	G-0	H-0	J-0	K±0.20	L-0	M-0.1	N MAX.	P 0	Q±0.06

NOTE:-INSIDE DIMENSIONS OF MALE AND OUTSIDE DIMENSIONS OF THE FEMALE CONNECTOR.



TECHNICAL SPECIFICATIONS

SHELLS : TIN/CADMIUM/ZINC PLATED STEEL

INSULATOR MATERIAL : SELF EXTINGUISHING THERMOPLASTIC- TO UL CLASS 94 V0

HOUSING WILL WITHSTAND EXPOSURE TO 260-265°C IF USE PROTECTIVE ADHESIVE (type Kapton or Teflon) OR PROTECTIVE METALLIC DEVICE

CONTACT DIA ON ACTIVE AREA: ø1 MM.

CONTACTS MATERIAL : COPPER ALLOY

CONTACT PLATING : GXT / GOLD OVER NICKEL

OPERATING TEMPERATURE : -55°C +125°C

OPERATING CURRENT : 7.5 A PER CONTACT

CONTACT RESISTANCE : ≤7.3 mΩ

INSULATION RESISTANCE : ≥5000 MΩ

MAXIMUM VOLTAGE : 1000 V.r.m.s

MECHANICAL ENDURANCE : 500 MATINGS FOR CODE 65
: 200 MATINGS FOR CODE 64

DAMP HEAT : 56 DAYS FOR CODE 65
: 21 DAYS FOR CODE 64

mat'l. code		surface		tolerance		projection		product family	
SEE NOTE 4		ISO 1302 ✓		ISO 406 ISO 1101				D-SUB	
ltr		ecn no		dr		date		title	
G	i06-074	GVJ	2006-06-08	tolerances unless otherwise specified				D-SUB S/B CONNECTOR	
H	I08-0047	MRA	2008-03-25	angles	linear	scale -		(DP & DM SERIES WITH ASSEMBLY OPTIONS)	
J	I09-0078	MRA	2009-05-15	dr		Mini K Vandanaath		dwg no	
K	I09-0111	MRA	2009-06-23	enr		George V Joseph		sheet 1 of 1	
L	I09-0288	MRA	2009-12-23	chr		Abhilash M R		size	
M	I11-0003	MRA	2011-01-06	appd		Sudhir Varma		A3	
sheet index		revision sheet		M		1		type Product Customer Drawing	