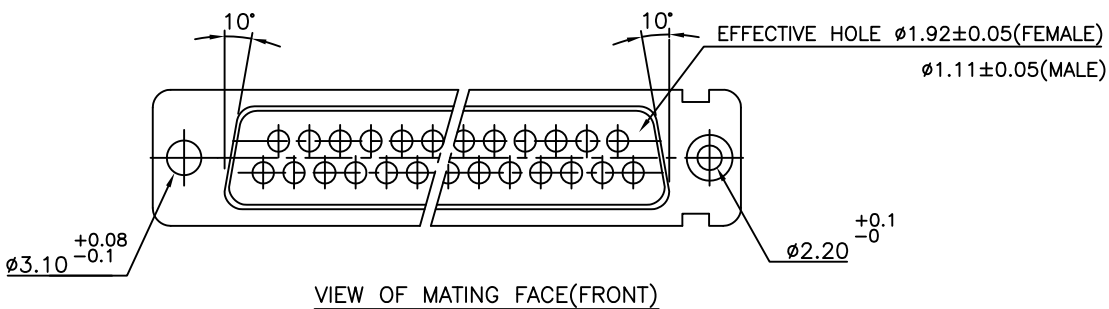
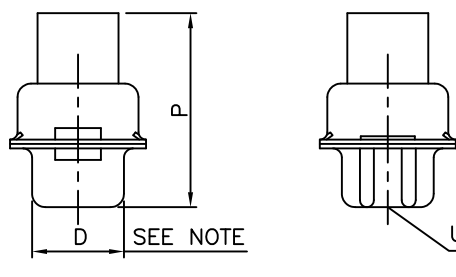
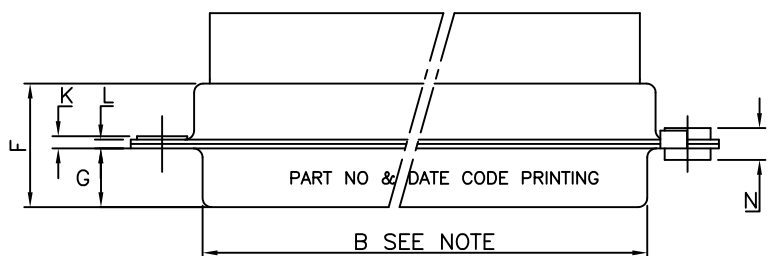
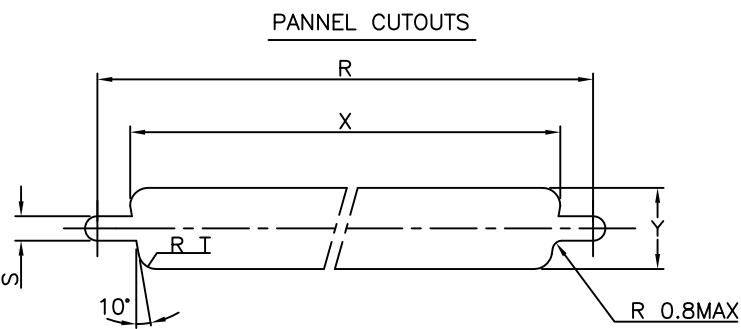


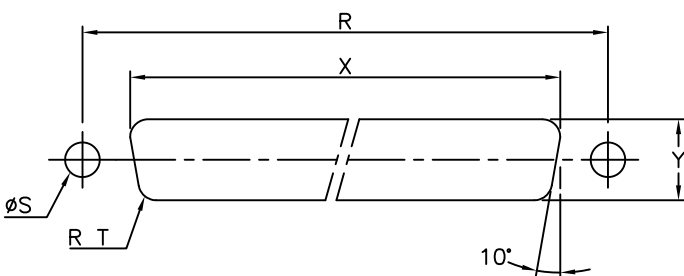
LAYOUT OF 50 POS. CONNECTOR



VIEW OF MATING FACE(FRONT)



CUT-OUT FOR MOUNTING FROM REAR OR FRONT OF PANEL



CUT-OUT FOR MOUNTING FROM REAR OF PANEL ONLY SEE TABLE 2

"This LF product meets European Union Directives and other country regulations as described in GS-22-008"

Packaging as per GS-14-920

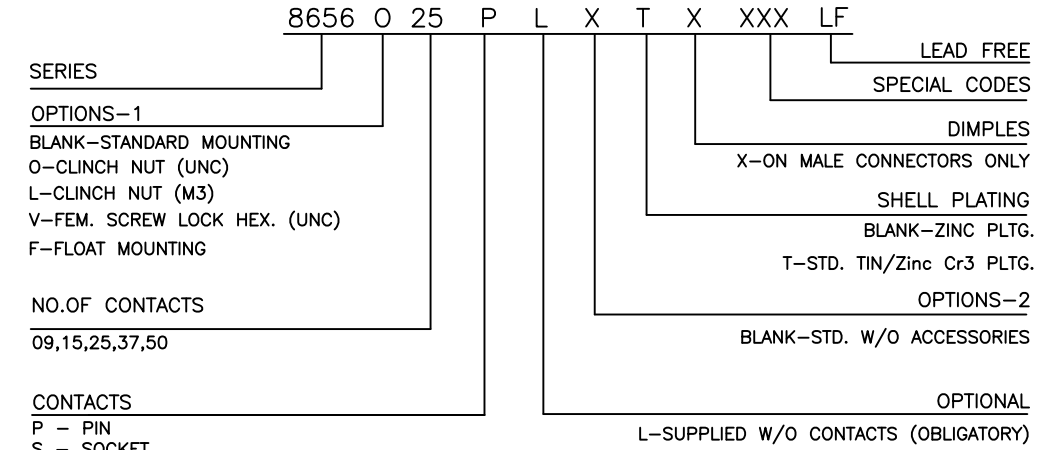
SHELL SIZE	TYPE OF MOUNTING	MOUNTING POSITIONS	DIMENSIONS				
			X±0.1	Y±0.1	R±0.1	S ^{+0.1} ₋₀	T±0.1
50	STD	FRONT	58.30	15.80	61.11	3.20	2.10
	REAR	56.30	14.10	61.11	3.20	3.30	
37	STD	FRONT	60.70	13.00	63.50	3.20	2.10
	REAR	59.10	11.40	63.50	3.20	3.30	
25	STD	FRONT	44.30	13.00	47.04	3.20	2.10
	REAR	42.50	11.40	47.04	3.20	3.30	
15	STD	FRONT	30.50	13.00	33.32	3.20	2.10
	REAR	28.80	11.40	33.32	2.20	3.30	
09	STD	FRONT	22.20	13.00	24.99	3.20	2.10
	REAR	20.50	11.40	24.99	3.20	3.30	
50	FLOAT	FRONT	59.20	16.60	61.11	2.20	2.10
	REAR	57.20	14.40	61.11	2.20	3.30	
37	FLOAT	FRONT	61.50	13.80	63.50	2.20	2.10
	REAR	59.80	12.20	63.50	2.20	3.30	
25	FLOAT	FRONT	45.10	13.80	47.04	2.20	2.10
	REAR	43.30	12.20	47.04	2.20	3.30	
15	FLOAT	FRONT	31.30	13.80	33.32	2.20	2.10
	REAR	29.60	12.20	33.32	2.20	3.30	
09	FLOAT	FRONT	23.00	13.80	24.99	2.20	2.10
	REAR	21.30	12.20	24.99	2.20	3.30	

TABLE 2

SHELL SIZE	TYPE OF MOUNTING	MOUNTING POSITIONS	DIMENSIONS														
			A	B	C	D	E	F	G	H	J	K	L	M	NMAX	P	PMAX
50	P	FRONT	66.65	52.68	61.11	11.08	14.99	11.09	5.85	55.07	13.31	1.50	1.0	2.76	3.05	17.35	
	S	FRONT	66.65	52.30	61.11	10.62	14.99	11.21	6.05	55.07	13.31	1.10	0.8	2.76	2.85	17.44	
37	P	FRONT	68.94	55.30	63.50	8.23	12.17	11.09	5.85	57.45	10.46	1.50	1.0	2.76	3.05	17.35	
	S	FRONT	68.94	54.71	63.50	7.77	12.17	11.21	6.05	57.45	10.46	1.10	0.8	2.76	2.85	17.44	
25	P	FRONT	52.65	38.84	47.04	8.23	12.17	11.07	5.85	41.02	10.46	1.10	0.8	2.76	2.85	17.35	
	S	FRONT	52.65	38.25	47.04	7.77	12.17	11.21	6.05	41.02	10.46	1.10	0.8	2.76	2.85	17.44	
15	P	FRONT	38.76	25.12	33.32	8.23	12.17	10.99	5.85	27.25	10.46	1.10	0.8	2.74	2.85	17.35	
	S	FRONT	38.76	24.54	33.32	7.77	12.17	11.21	6.05	27.25	10.46	1.10	0.8	2.74	2.85	17.44	
09	P	FRONT	30.43	16.79	24.99	8.23	12.17	10.99	5.85	19.02	10.46	1.10	0.8	2.74	2.85	17.35	
	S	FRONT	30.43	16.21	24.99	7.77	12.17	11.21	6.05	19.02	10.46	1.10	0.8	2.74	2.85	17.44	

NOTE:-INSIDE DIM. OF MALE AND OUTSIDE DIM. OF THE FEMALE CONNECTOR.

ORDERING INFORMATION



TECHNICAL SPECIFICATIONS

- SHELLS : TIN/CADMIUM/ZINC PLATED STEEL
- INSULATOR MATERIAL : SELF EXTINGUISHING THERMOPLASTIC- TO UL CLASS 94 V0
- CONTACTS DIA ON ACTIVE AREA : Ø1 MM.
- CONTACTS MATERIAL : COPPER ALLOY
- CONTACT PLATING : GOLD / GXT OVER NICKEL (ACTIVE ZONE)
- FOR LEAD FREE PLATING : 2 µ MIN.MATTE TIN TOP OVER
- OPERATING TEMPERATURE : -55°C TO +125°C
- OPERATING CURRENT : 5 A PER CONTACT
- CONTACT RESISTANCE : <10mΩ
- INSULATION RESISTANCE : >5000 MΩ IN AMBIENT CONDITIONS.
- MAXIMUM VOLTAGE : 1000 V.r.m.s
- MECHANICAL ENDURANCE : 200 MATINGS (CODE 64)
- DAMP HEAT : 21 DAYS
- WIRE SIZE : AWG 20/24 OR AWG 24/28
- CONTACTS : CRIMP REMOVABLE
- MAX DIA OF WIRE : 1.52mm (AWG 20/24) 1.02mm (AWG 24/28)

mat'l. code		surface ISO 1302 ✓		tolerance ISO 406 ISO 1101		projection		product family	
ltr		ecn no		dr		date		title	
E		i06-0074		GVJ		2006/06/08		D-SUB CRIMP CONNECTOR	
F		I11-0003		AMR		2011-1-06		scale -	
sheet index		revision sheet		F		1		dwg no	
								sheet 1 of 1	
								size A3	
								type Product Customer Drawing	