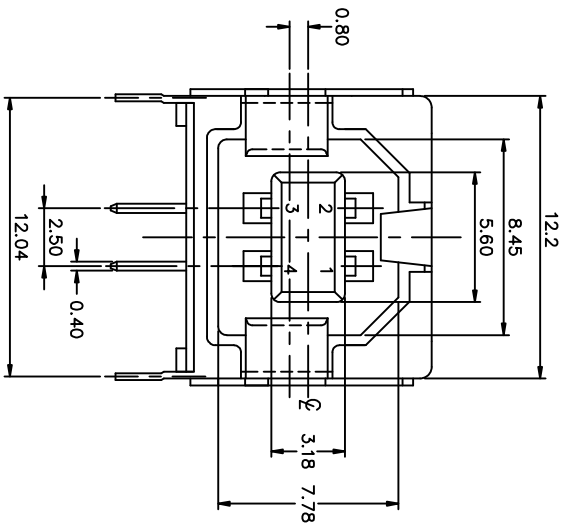
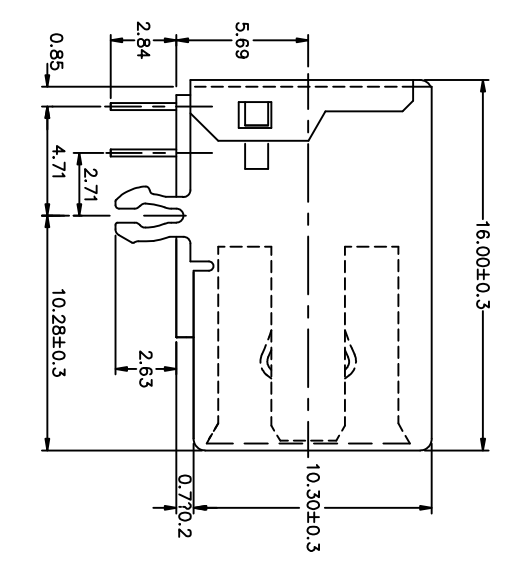
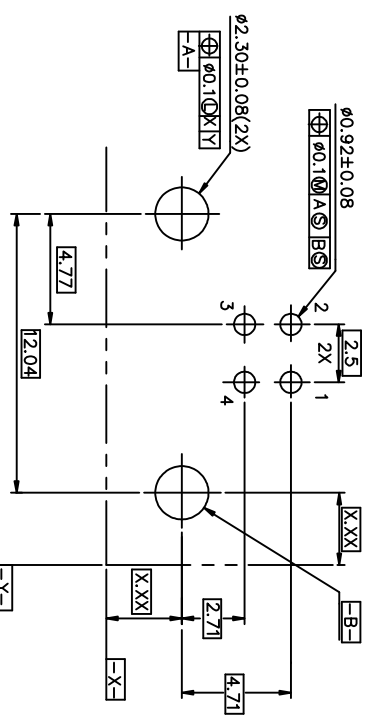


PRODUCT NO.  
61729



P.C. BOARD LAYOUT



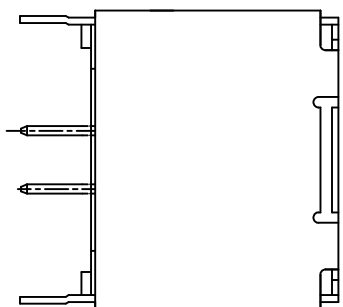
PRODUCT NUMBER CODE

61729-X0XXXXPSLF

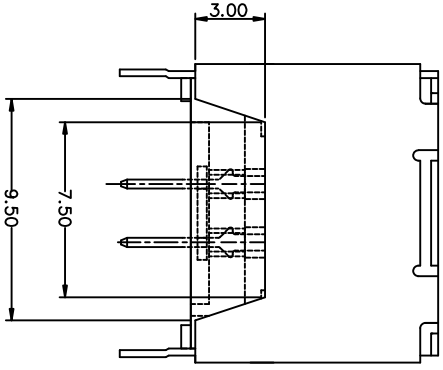
- BASE PRODUCT NUMBER**
- HOUSING COLOR OPTION**
- 0 - WHITE
  - 1 - BLACK
- SHIELD OPTION**
- 1 - FULL BACK
  - 2 - PARTIAL BACK
- TERMINAL PLATING OPTION**
- 0 - 50U" NI UNDERPLATED
  - 30U" GXT CONTACT AREA
  - 100U" TIN/LEAD TAIL AREA
  - FOR P/N'S WITHOUT SUFFIX "LF"
  - 100U" PURE TIN TAIL AREA
  - FOR P/N'S WITH SUFFIX "LF"
  - 1 - 50U" NI UNDERPLATED
  - 30U" GOLD CONTACT AREA
  - 100U" TIN/LEAD TAIL AREA
  - FOR P/N'S WITHOUT SUFFIX "LF"
  - 100U" PURE TIN TAIL AREA
  - FOR P/N'S WITH SUFFIX "LF"
- PACKAGING OPTION**
- B-TUBES
  - R-TAPE & REEL
- DATE CODE OPTION**
- ONLY FOR PANASONIC**
- LEAD FREE OPTION**

mat'l. code		tolerances unless otherwise specified		CUSTOMER COPY		title		product family		code	
tr	ecn no.	dr	ddte	linear	proj	MM/INCH	size	dwg no	family	sheet	of
S	N05-0242	PH	08/22/08	.00 ± 0.30					USB	1	2
T	N06-0103	HB	04/15/06	.00 ± 0.20					USB	1	2
M	T20282	W L	08/12/02	± .2°					USB	1	2
N	T03-0385	W L	08/08/03						USB	1	2
P	T04-0206	W L	05/13/04						USB	1	2
R	N04-0130	PH	12/22/04						USB	1	2

PRODUCT NO.  
61729



TYPE "1" FULL BACK



TYPE "2" PARTIAL BACK

- NOTES:
1. MATERIAL:  
SHIELD & CONTACTS: COPPER ALLOY  
HOUSING: UL 94V-0 THERMOPLASTIC. COLOR: SEE PRODUCT NUMBER CODE.
  2. PLATING: SEE PRODUCT NUMBER CODE.  
SHIELD: BRIGHT TIN  
NICKEL UNDERPLATE.
  3. DATUMS & BASIC DIMENSIONS TO BE DETERMINED BY CUSTOMER
  4. RECOMMENDED BOARD THICKNESS IS 1.57 mm (.062)
  5. PACKING STANDARD GS-14-920 WILL BE APPLIED FOR LEAD FREE P/N'S
  6. FOR LEAD FREE P/N, THE PRODUCT MEET EUROPEAN UNION DIRECTIVES AND OTHER COUNTRY REGULATION AS DESCRIBED IN GS-22-008
  7. FOR LEAD FREE P/N'S, THE HOUSING WILL WITHSTAND EXPOSURE TO 260°C PEAK TEMPERATURE FOR 40 SECONDS IN A CONNECTION, INFRO-RED OR VAPOR PHASE REFLOW OVEN.



All rights strictly reserved. Reproduction or lease to third parties in any form without written authority from the proprietor.  
Property © e BERG ELECTRONICS  
Copyright BERG ELECTRONICS by

Tous droits strictement reserves. Reproduction ou communication a des tiers int sans aucune forme que ce soit sans autorisation écrite de propriétaire.  
Propriete © e BERG ELECTRONICS  
Droits de reproduction BERG ELECTRONICS by

mat'l. code		tolerances unless otherwise specified		CUSTOMER		title	
lfr	pcn no	dr	date	linear	projection	MM/INCH	product family
P				.00 ±0.10	1	MM/INCH	USB
				.000±0.05	2	5 : 1	61729
				± .2°			code
				dr	SHIRLEY HSU	03/03/97	
				engr	R Y LIU	03/03/97	
				chr	R Y LIU	03/03/97	
				dppd	JENN TSAO	03/03/97	
sheet	revision						sheet
index	sheet						2 of 2