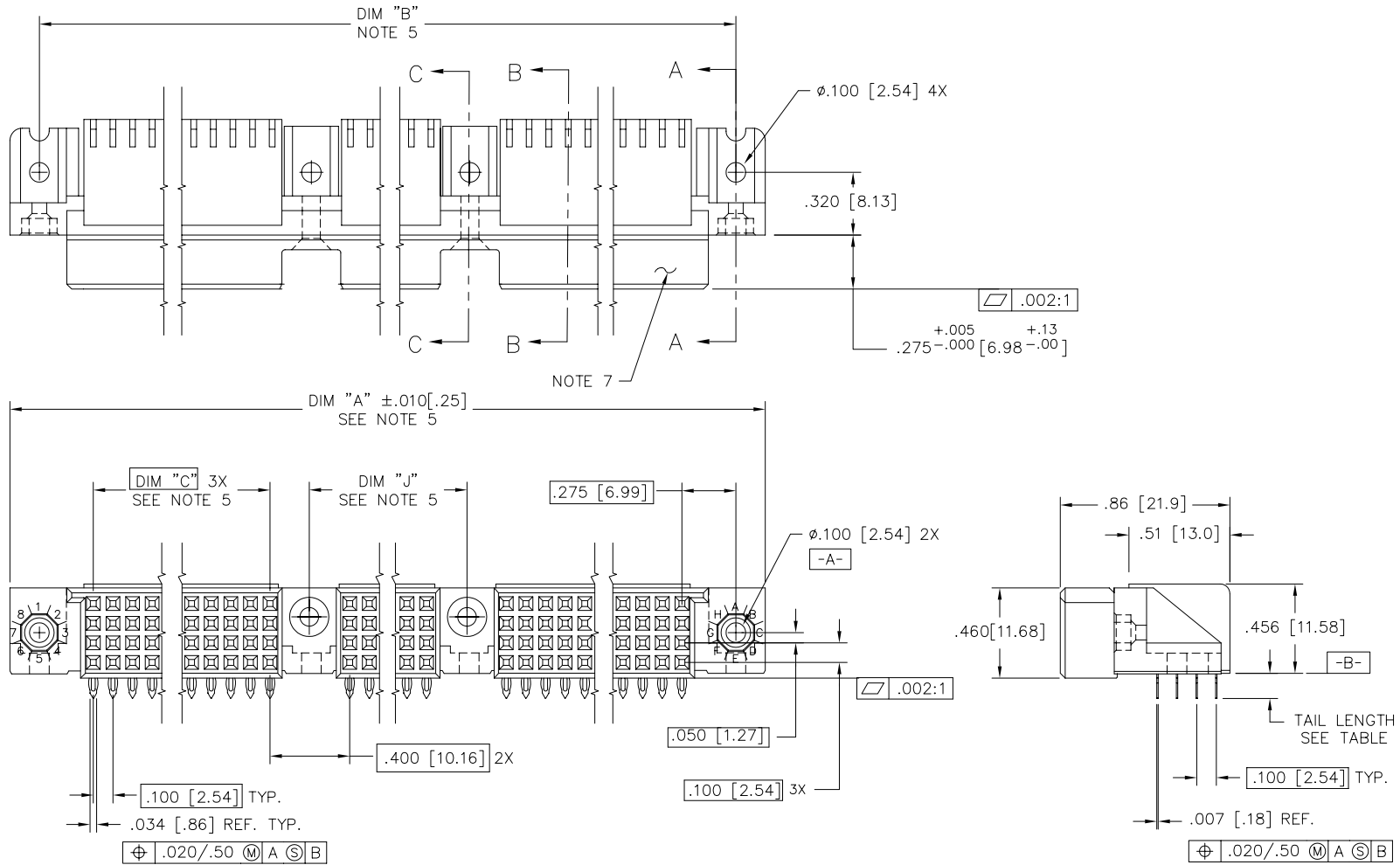


PRODUCT NUMBER  
SEE TABLE



mat'l. code SEE NOTE 3		surface ISO 1302 ✓		tolerance ISO 406 ISO 1101		projection INCH/MM		product family HPC	
ltr	ecn	no	dr	date		tolerances unless otherwise specified		title	
N	v10820	JRW	2/1/01	angles	linear	.xx±.01/.3		4 ROW R/A RECEPTACLE PRESS FIT, 2 GUIDE PINS	
P	v10947	CGD	2/28/01	0°±2'		.xxx±.005/.13		dwg no	
R	v10960	MEM	3/14/01			.xxxx±.0020/.051		sheet 1 of 6 size	
S	v05-0512	DAI	8/01/05	dr	G.PETERS	6/12/93		A3	
T	v05-1054	HTB	11/16/05	enr	S.CLARK	6/12/93		50644	
U	M06-0283	MHT	7/27/06	chr	S.CLARK	6/12/93		type Product Customer Drawing	
V	M07-0099	AGS	2/08/07	appd	S.CLARK	6/12/93			
sheet	revision	V	V	V	V	V	V		
index	sheet	1	2	3	4	5	6		



Copyright FCI

PRODUCT NUMBER  
SEE TABLE

NOTES:

- ① PRODUCT NUMBERING CODE:  
50644 - X YYY Z S LF  
 LEAD FREE (OPTIONAL)  
 SPECIAL FEATURES (NOTE 10)  
 TAIL LENGTH (SEE TABLE)  
 NO. OF POSITIONS (NOTE 2)  
 PLATING SEE TABLE  
 BASE NUMBER

- PRODUCT NUMBERING CODE FOR SELECT LOAD  
 50644- XX YYY LF  
 LEAD FREE (OPTIONAL)  
 SEQUENCE NUMBER  
 ALWAYS "XX"  
 BASE NUMBER

② THIS PRODUCT IS CONFIGURED IN SIZES OF 30 thru 150 COLUMNS IN INCREMENTS OF THREE. i.e.: 30,33,36,.....147,150.

③ MATERIAL PRESS BLOCK: HIGH TEMP. THERMOPLASTIC  
 MATERIAL HOUSING: GLASS AND MINERAL FILLED  
 HIGH TEMP. THERMOPLASTIC. FLAME RETARDANT  
 PER UL94V-0. COLOR: BLACK.  
 CONTACT MATERIAL: BeCu.

4. PLATING:  
 CONTACT AREA - SEE PRODUCT NUMBER TABLE  
 TAILS-EITHER TIN OR TIN LEAD, SEE PRODUCT NUMBER TABLE

⑤ DIMENSION "A" CALCULATION =  $.100 (2.54) \times \text{NO. OF COLUMNS} + 1.35 [34.3]$   
 DIMENSION "B" CALCULATION =  $.100 (2.54) \times \text{NO. OF COLUMNS} + 1.050 [26.67]$   
 DIMENSION "C" CALCULATION =  $.100 (2.54) \times \text{NO. OF COLUMNS} - \text{DIVDED BY } 3 - .100 [2.54]$   
 DIMENSION "J" CALCULATION =  $.100 (2.54) \times \text{NO. OF COLUMNS} - \text{DIVDED BY } 3 + .300 [7.62]$

⑥ DRILLED HOLE DIA. OF  $.0453 \pm .001$  FINISHED TO  $.0400 \pm .0030$  BY PLATING SnPb(60/40),  $.0003 - .0006$  w/Cu UNDERPLATING AS NEEDED.

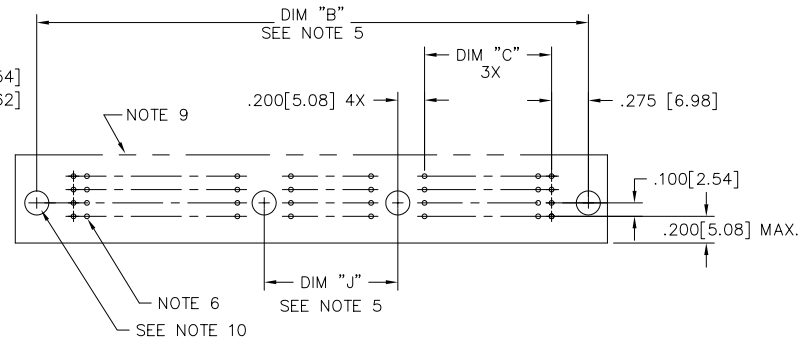
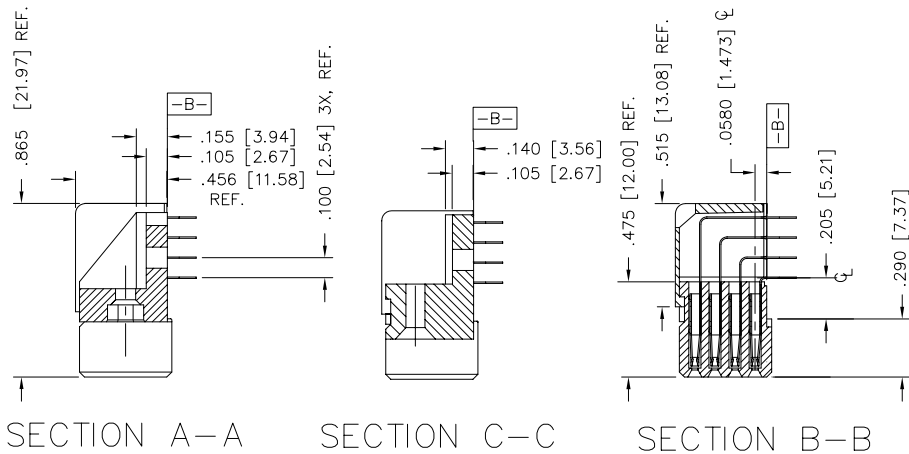
⑦ MANUFACTURE'S LOGO, P/N, AND LOT CODE TO APPEAR ON THIS SURFACE.

8. THIS HOUSING WILL WITHSTAND EXPOSURE TO 260°C PEAK TEMPERATURE FOR 10-30 SECONDS IN A CONVECTION, INFRA-RED OR VAPOR PHASE REFLOW OVEN.

⑨ FOR PCB STAY AWAY ZONE SEE TA-0954.

- ⑩ SPECIAL FEATURES:  
 - = IF NO SPECIAL FEATURE CODE IS SELECTED, CONNECTOR WILL APPEAR AS SHOWN. PCB MOUNTING HOLE DIMENSION TO BE  $\phi .120 \pm .003 [3.05 \pm 0.07]$   
 "A" = IF SPECIFIED, CONNECTOR WILL APPEAR AS SHOWN ON SHEET 3. PCB MOUNTING HOLE DIMENSION TO BE  $\phi .100 \pm .003 [2.54 \pm 0.07]$ .  
 "B" = IF SPECIFIED, CONNECTOR WILL HAVE PRE-INSTALLED EYELET FOR P.C.B. ATTACHMENT IN A  $\phi .100 \pm .003 [2.54 \pm 0.07]$  MOUNTING HOLE. SEE SHEET 3. (AVAILABLE IN "E" TAIL LENGTH. ONLY).  
 "C" = IF SPECIFIED, CONNECTOR WILL HAVE PRE-INSTALLED EYELET FOR P.C.B. ATTACHMENT IN A  $\phi .120 \pm .003 [2.54 \pm 0.07]$  MOUNTING HOLE. SEE SHEET 3.  
 "D" = IF SPECIFIED, CONNECTOR WILL HAVE PRE-INSTALLED EYELET WITH MOLDED GUIDE PINS FOR P.C.B. ATTACHMENT IN A  $\phi .120 \pm .003 [2.54 \pm 0.07]$  MOUNTING HOLE. SEE SHEET 3.

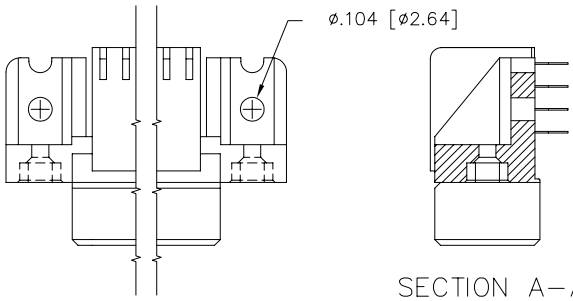
⑪ THIS PRODUCT (WITH "LF" SUFFIX) MEETS EUROPEAN UNION DIRECTIVES AND OTHER COUNTRY REGULATIONS AS DESCRIBED IN GS-22-008.



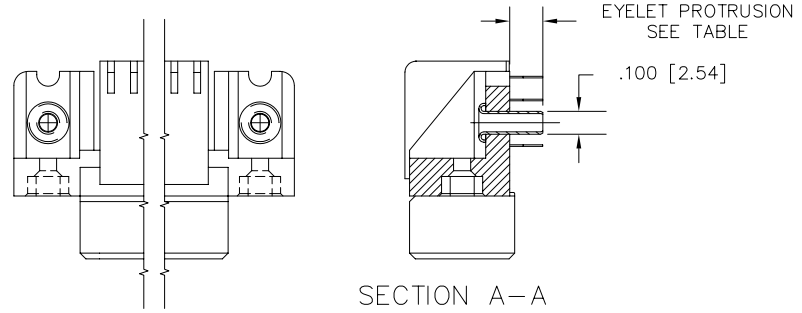
RECOMMENDED PCB LAYOUT  
 (ALL HOLES LOCATED ON  $.100 [2.54]$  GRID UNLESS OTHERWISE SHOWN)

mat'l. code SEE NOTE 3		surface ISO 1302 ✓	tolerance ISO 406 ISO 1101	projection INCH/MM	product family HPC
ltr	ecn	no	dr	date	tolerances unless otherwise specified
v					angles linear .xx±.01/.3 .xxx±.005/.13 .xxxx±.0020/.051
					0°±2'
		dr	G.PETERS	6/12/93	
		enr	S.CLARK	6/12/93	
		chr	S.CLARK	6/12/93	
		appd	S.CLARK	6/12/93	
sheet index	revision sheet				scale 1:1
					product family HPC
					title 4 ROW R/A RECEPTACLE PRESS FIT, 2 GUIDE PINS
					dwg no 50644
					sheet 2 of 6
					size A3
					type Product Customer Drawing

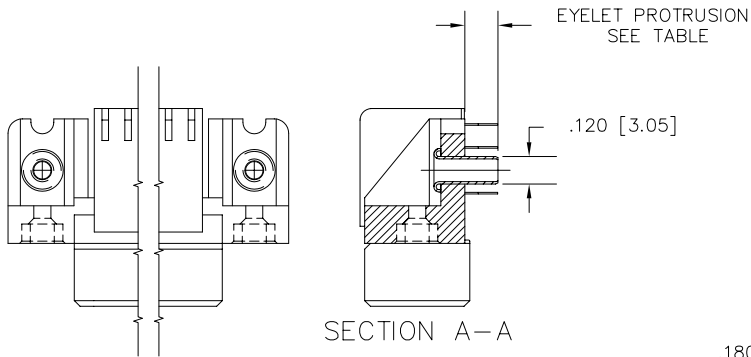
PRODUCT NUMBER  
SEE TABLE



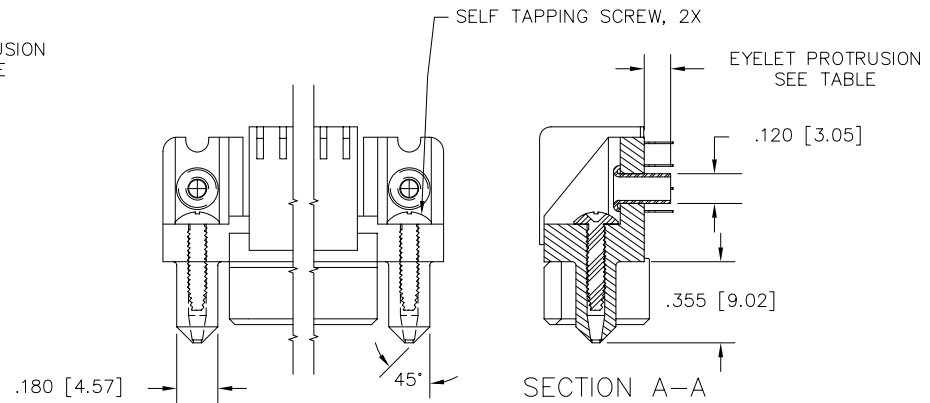
SPECIAL FEATURE OPTION A



SPECIAL FEATURE OPTION B



SPECIAL FEATURE OPTION C



SPECIAL FEATURE OPTION D



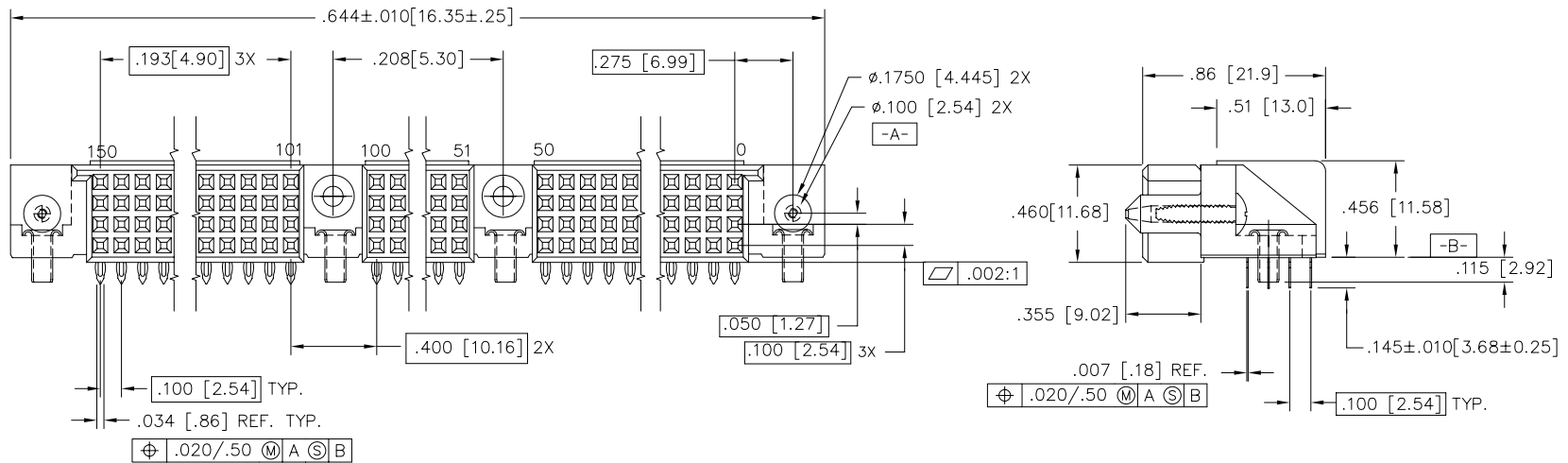
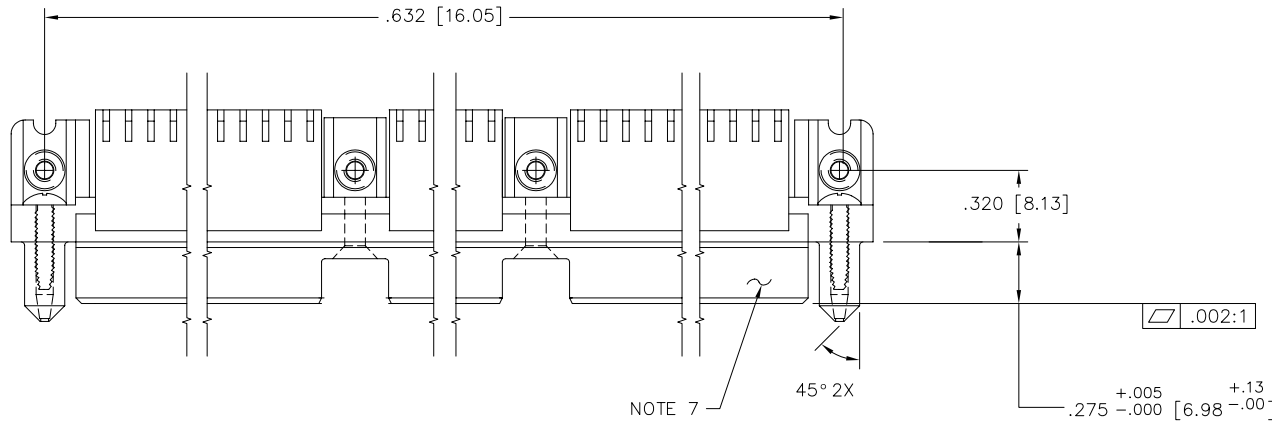
FCIconnect.com

Copyright FCI

mat'l. code		surface ISO 1302 ✓		tolerance ISO 406 ISO 1101		projection INCH/MM		product family HPC	
ltr	ecn	no	dr	date		tolerances unless otherwise specified		title	
V						angles	linear	4 ROW R/A RECEPTACLE PRESS FIT, 2 GUIDE PINS	
						0°±2'	.xx±.01/.3 .xxx±.005/.13 .xxxx±.0020/.051	scale 1:1	
			dr	G.PETERS	6/12/93			dwg no	
			enr	S.CLARK	6/12/93			sheet 3 of 6	
			chr	S.CLARK	6/12/93			size	
			appd	S.CLARK	6/12/93			A3	
sheet index		revision sheet						type Product Customer Drawing	

PRODUCT NUMBER
50644-XX001
50644-XX001LF

50644-XX001 AND 50644-XX001LF ONLY



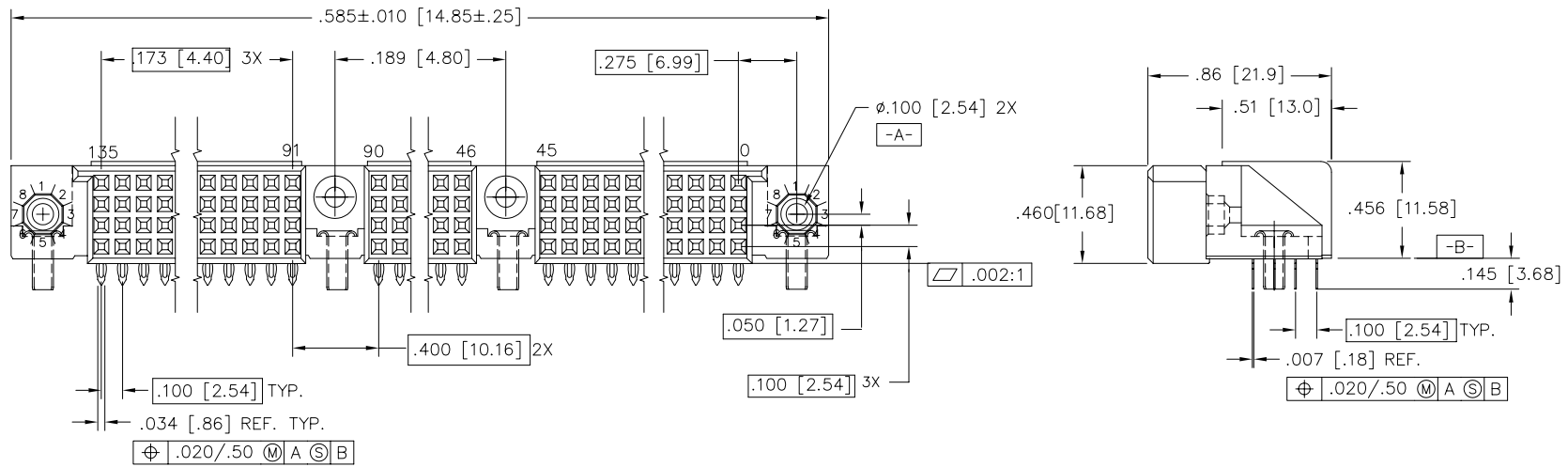
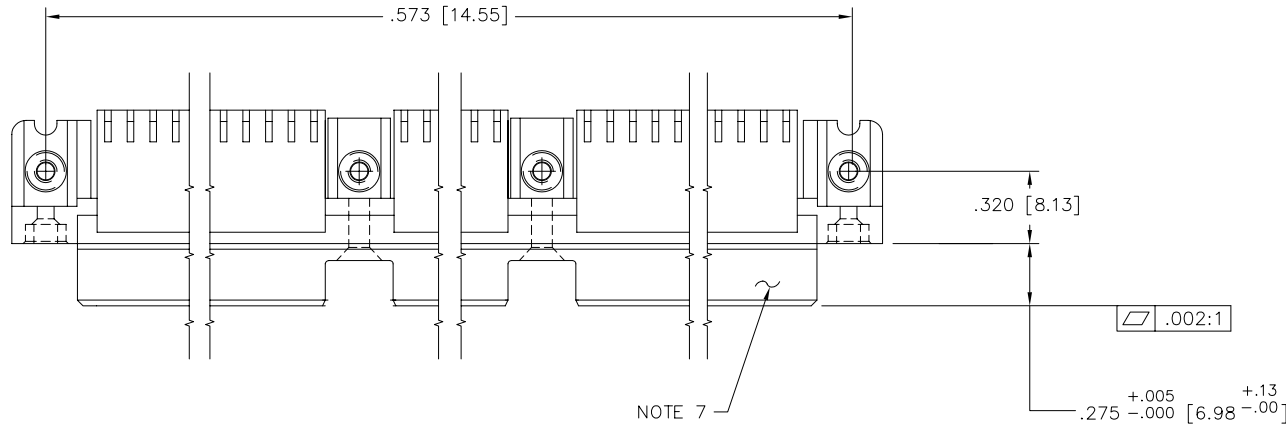
- NOTES FOR -XX001 AND XX001LF ONLY:
- ALL POSITIONS LOADED WITH .145[3.68] TAIL LENGTH.
  - SIZE 4 x 150  
TOTAL NUMBER OF POSITIONS - 600  
TOTAL NUMBER OF POSITIONS LOADED - 600

mat'l. code SEE NOTE 3	surface ISO 1302 ✓	tolerance ISO 406 ISO 1101	projection INCH/MM	product family HPC		
ltr	ecn	no	dr	date	tolerances unless otherwise specified	title 4 ROW R/A RECEPTACLE PRESS FIT, 2 GUIDE PINS
v					angles linear 0°±2'	scale 1:1
					dr engr chr appd	G.PETERS 6/12/93 S.CLARK 6/12/93 S.CLARK 6/12/93 S.CLARK 6/12/93
sheet index	revision sheet					FCJ type Product Customer Drawing
						dwg no 50644 sheet 4 of 6 size A3

1	2	3	4	5	6
---	---	---	---	---	---

PRODUCT NUMBER
50644-XX002
50644-XX002LF

50644-XX002 AND 50644-XX002LF ONLY



NOTES FOR -XX002 AND XX002LF ONLY:

1. ALL POSITIONS LOADED WITH .145[3.68] TAIL LENGTH.
2. SIZE 4 x 135  
TOTAL NUMBER OF POSITIONS - 540  
TOTAL NUMBER OF POSITIONS LOADED - 540

mat'l. code		surface ISO 1302 ✓		tolerance ISO 406 ISO 1101		projection INCH/MM		product family HPC	
ltr	ecn	no	dr	date		tolerances unless otherwise specified		title	
V						angles	linear	4 ROW R/A RECEPTACLE PRESS FIT, 2 GUIDE PINS	
						0°±2'	.xxx±.005/.13 .xxxx±.0020/.051	scale 1:1	
			dr	G.PETERS	6/12/93			dwg no	
			enr	S.CLARK	6/12/93			sheet 5 of 6	
			chr	S.CLARK	6/12/93			size	
			appd	S.CLARK	6/12/93			A3	
sheet index		revision sheet						type Product Customer Drawing	



Copyright FCI

PRODUCT NUMBER NOTE 1	NUMBER OF POSITIONS NOTE 2	TAIL LENGTH ±.010/0.25	SPECIAL FEATURES SEE NOTE 10	SOLDER TAIL PLATING	PLATING IN CONTACT AREA	EYELET PROTRUSION
50644 -1YYE	YYY	.125/3.18	NONE	TIN-LEAD	30u"/.76u Au	N/A
50644 -5YYYELF	YYY	.125/3.18	NONE	TIN	30u"/.76u GXT	N/A
50644 -1YYEA	YYY	.125/3.18	"A"	TIN-LEAD	30u"/.76u Au	N/A
50644 -5YYYEALF	YYY	.125/3.18	"A"	TIN	30u"/.76u GXT	N/A
50644 -1YYEB	YYY	.125/3.18	"B"	TIN-LEAD	30u"/.76u Au	0.145/3.68
50644 -5YYYEBLF	YYY	.125/3.18	"B"	TIN	30u"/.76u GXT	0.145/3.68
50644 -1YYEC	YYY	.125/3.18	"C"	TIN-LEAD	30u"/.76u Au	0.115/2.92
50644 -5YYYECLF	YYY	.125/3.18	"C"	TIN	30u"/.76u GXT	0.115/2.92
50644 -1YYED	YYY	.125/3.18	"D"	TIN-LEAD	30u"/.76u Au	0.115/2.92
50644 -5YYEDLF	YYY	.125/3.18	"D"	TIN	30u"/.76u GXT	0.115/2.92
50644 -1YYF	YYY	.145/3.68	NONE	TIN-LEAD	30u"/.76u Au	N/A
50644 -5YYYFLF	YYY	.145/3.68	NONE	TIN	30u"/.76u GXT	N/A
50644 -1YYFA	YYY	.145/3.68	"A"	TIN-LEAD	30u"/.76u Au	N/A
50644 -5YYYFALF	YYY	.145/3.68	"A"	TIN	30u"/.76u GXT	N/A
50644 -1YYFC	YYY	.145/3.68	"C"	TIN-LEAD	30u"/.76u Au	0.145/3.68
50644 -5YYYFCLF	YYY	.145/3.68	"C"	TIN	30u"/.76u GXT	0.145/3.68
50644 -1YYFD	YYY	.145/3.68	"D"	TIN-LEAD	30u"/.76u Au	0.145/3.68
50644 -5YYYFDLF	YYY	.145/3.68	"D"	TIN	30u"/.76u GXT	0.145/3.68
50644 -XX001	600	.145/3.68	"D"	TIN-LEAD	30u"/.76u Au	0.115/2.92
50644 -XX001LF	600	.145/3.68	"D"	TIN	30u"/.76u GXT	0.115/2.92
50644 -XX002	540	.145/3.68	"B"	TIN-LEAD	30u"/.76u Au	0.145/3.68
50644 -XX002LF	540	.145/3.68	"B"	TIN	30u"/.76u GXT	0.145/3.68
50644 -1YYELF	YYY	.125/3.18	NONE	TIN	30u"/.76u Au	N/A
50644 -1YYEALF	YYY	.125/3.18	"A"	TIN	30u"/.76u Au	N/A
50644 -1YYEBLF	YYY	.125/3.18	"B"	TIN	30u"/.76u Au	0.145/3.68
50644 -1YYECLF	YYY	.125/3.18	"C"	TIN	30u"/.76u Au	0.115/2.92
50644 -1YYEDLF	YYY	.125/3.18	"D"	TIN	30u"/.76u Au	0.115/2.92
50644 -1YYFLF	YYY	.145/3.68	NONE	TIN	30u"/.76u Au	N/A
50644 -1YYFALF	YYY	.145/3.68	"A"	TIN	30u"/.76u Au	N/A
50644 -1YYFCLF	YYY	.145/3.68	"C"	TIN	30u"/.76u Au	0.145/3.68
50644 -1YYFDLF	YYY	.145/3.68	"D"	TIN	30u"/.76u Au	0.145/3.68



Copyright FCI

mat'l. code		surface ISO 1302 ✓	tolerance ISO 406 ISO 1101	projection 	product family HPC
ltr	ecn	no	dr	date	tolerances unless otherwise specified
V					angles linear .XX±.01/.3 .XXX±.005/.13 .XXXX±.0020/.051
					INCH/MM
					scale 1:1
			dr	G.PETERS	6/12/93
			enr	S.CLARK	6/12/93
			chr	S.CLARK	6/12/93
			appd	S.CLARK	6/12/93
sheet index	revision sheet				
				title 4 ROW R/A RECEPTACLE PRESS FIT, 2 GUIDE PINS dwg no 50644 sheet 6 of 6 size A3 type Product Customer Drawing	