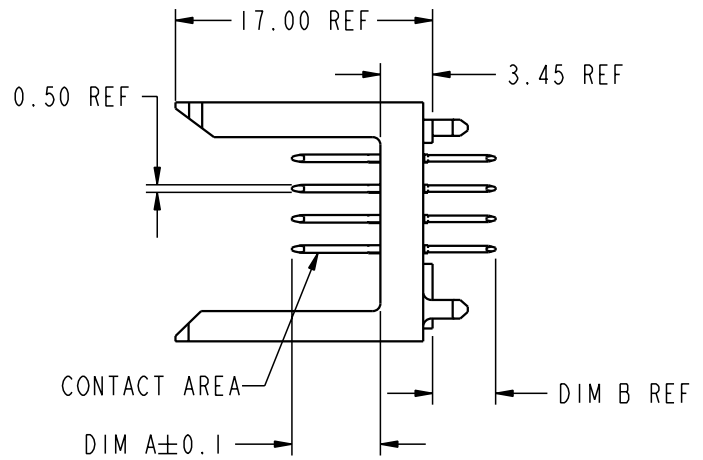
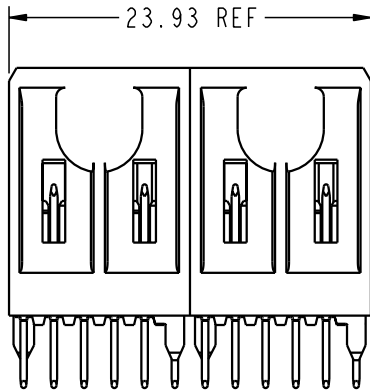
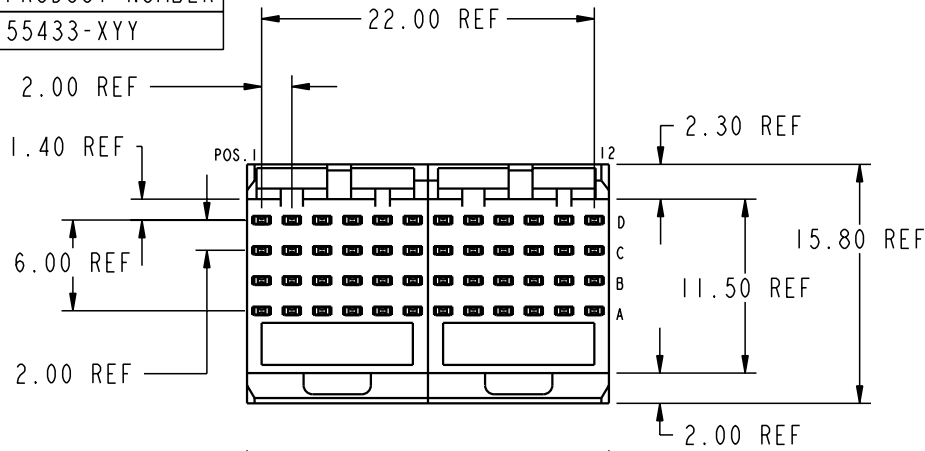


Tous droits strictement reserves. Reproduction ou communication a des tiers interdite sous quelque forme que ce soit sans autorisation ecrite du propriétaire. Propriete de c FCI. Droits de reproduction FCI.

All rights strictly reserved. Reproduction or issue to third parties in any form whatever is not permitted without written authority from the proprietor. Property of FCI. Copyright FCI.



PRODUCT NUMBER
55433-XYX



NOTES:

- FOR DIM A, AND B SEE SHEET 2 AND UP.
- BODY MATERIAL: LIQUID CRYSTAL POLYMER 30 % GLASS. FLAME RETARDANT ACC. UL 94-V0.
- PIN MATERIAL: PHOSPHOR BRONZE.
- PLATING ON TAIL AREA SnPb. PLATING ON CONTACT AREA CONFORMS TO PERFORMANCE LEVEL SHOWN IN TABLE BELOW.
- PRODUCT MARKING: PART NUMBER DESIGNATION & BATCH I.D.
- ALL PRODUCTS WITH PART NUMBERS SHOWN IN SUBSEQUENT TABLES WILL BE PACKAGED IN TUBES. IF TRAY PACKAGING IS REQUIRED, A SUFFIX "P" WILL BE ADDED TO THE END OF THE PART NUMBER. EXAMPLE: XXXXX-XXXP

PLATING IN CONTACT AREA	
DASH NUMBER	PERFORMANCE LEVEL
-1YY	TELCORDIA CO
-2YY	TELECOM CLASS
-3YY	IEC CLASS I
-5YY	TELCORDIA UE
-9YY	0.76µm GXT

mat'l code				tolerances unless otherwise specified				CUSTOMER		ELECTRONICS www.fciconnect.com	
ltr	ecr no.	dr	date	linear	0.X ± 0.3	COPY		projection		title	
A	V02565	TAB	10/02/00		0.XX ± 0.13					METRAL SIGNAL HEADER 2 MOD, 4 ROW SPECIAL STB	
B	V10910	CGD	02/22/01	angles	.xxx ± .051					product family	
C	V11599	CGD	06/01/01		0° ± 2°			MM		METRAL	
D	V12099	TAB	10/05/01	dr	T.BRUNGARD 11/19/99			scale		code	
				enrg	M.STRAWSER 11/19/99			2:1		size	
				chr	M.STRAWSER 11/19/99			A		dwg no	
				appd	M.STRAWSER 02/29/00					55433	
sheet		revision		D	D	D	D			sheet	
index		sheet		1	2	3	4			1 of 6	

Pro/E

cage code 22526

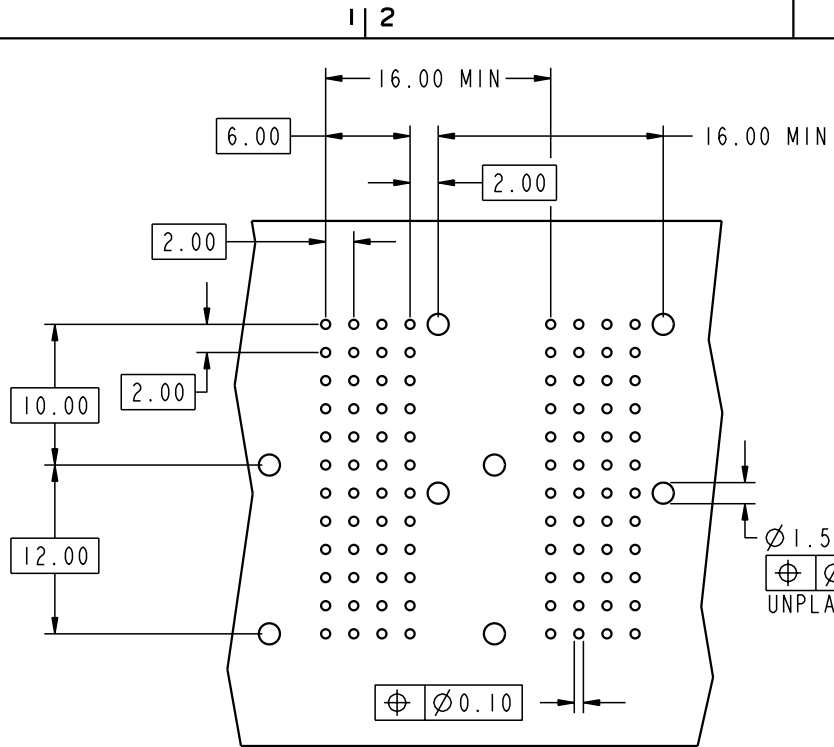
PDM: Rev:D

STATUS: Released

Printed: May 01, 2002

Tous droits strictement reserves. Reproduction ou communication a des tiers interdite sous quelque forme que ce soit sans autorisation écrite du propriétaire. Propriete de c FCI. Droits de reproduction FCI.

All rights strictly reserved. Reproduction or issue to third parties in any form whatever is not permitted without written authority from the proprietor. Property of FCI. Copyright FCI.



REQUIRED PC BOARD LAYOUT
COMPONENT SIDE

SEE PRINT 58351 FOR
ADDITIONAL PCB INFORMATION

KEY (SIGNAL STB)		
CODE	DIMENSIONS	
	DIM "A" MATE	DIM "B" TAIL
1	5.00	4.25
2	5.75	4.25
3	6.50	4.25
4	7.25	4.25
5	5.00	3.30
6	5.75	3.30
7	6.50	3.30
8	7.25	3.30
9	5.00	2.65
10	5.75	2.65
11	6.50	2.65
12	7.25	2.65
13	8.00	4.25

mat'l code				tolerances unless otherwise specified		CUSTOMER		ELECTRONICS www.fciconnect.com		
ltr	ecr no.	dr	date	linear	0.X ±0.3	COPY		projection		
D					0.XX ±0.13	MM				title METRAL SIGNAL HEADER 2 MOD, 4 ROW SPECIAL STB
					.XXX ±.051	1:1				
				0° ±2°	A		code 213			
				dr	T.BRUNGARD	11/19/99		size 55433	sheet 2	
				engr	M.STRAWSER	11/19/99				
				chr	M.STRAWSER	11/19/99				
				appd	M.STRAWSER	02/29/00	cage code		22526	
sheet index	revision sheet									

Pro/E 3 | cage code 22526 4

Tous droits strictement réservés. Reproduction ou communication a des tiers interdite sous quelque forme que ce soit sans autorisation écrite du propriétaire. Propriété de c.FCI. Droits de reproduction FCI.

All rights strictly reserved. Reproduction or issue to third parties in any form whatever is not permitted without written authority from the proprietor. Property of FCI. Copyright FCI.



METRAL P/N	ROW	CONTACT CODE MOD. 1					MOD. 2						
		1	2	3	4	5	6	7	8	9	10	11	12
55433-X01	D	1	1	1	1	1	1	1	1	1	1	1	1
	C	1	1	1	1	1	1	1	1	1	1	1	1
	B	1	1	1	1	1	1	1	1	1	1	1	1
	A	1	1	1	1	1	1	1	1	1	1	1	1
55433-X02	D	1	1	1	1	1	1	1	1	1	1	1	1
	C	1	1	1	1	1	1	1	1	1	1	1	1
	B	1	1	1	1	1	1	1	1	1	1	1	1
	A	3	3	3	3	3	3	3	3	3	3	3	3
55433-X03	D	3	3	3	3	3	3	3	3	3	3	3	3
	C	2	2	2	2	2	2	2	2	2	2	2	2
	B	2	2	2	2	2	2	2	2	2	2	2	2
	A	3	3	3	3	3	3	3	3	3	3	3	3
55433-X04	D	4	4	4	4	4	4	4	4	4	4	4	4
	C	3	3	3	3	3	3	3	3	3	3	3	3
	B	3	3	3	3	3	3	3	3	3	3	3	3
	A	4	4	4	4	4	4	4	4	4	4	4	4
55433-X05	D	3	3	3	3	3	3	3	3	3	3	3	3
	C	3	3	3	3	3	3	3	3	3	3	3	3
	B	3	3	3	3	3	3	3	3	3	3	3	3
	A	3	3	3	3	3	3	3	3	3	3	3	3
55433-X06	D	2	2	2	2	2	2	2	2	2	2	2	2
	C	2	2	2	2	2	2	2	2	2	2	2	2
	B	2	2	2	2	2	2	2	2	2	2	2	2
	A	2	2	2	2	2	2	2	2	2	2	2	2
55433-X07	D	3	3	3	3	3	3	3	3	3	3	3	3
	C	2	2	2	2	2	2	2	2	2	2	2	2
	B	2	2	2	2	2	2	2	2	2	2	2	2
	A	1	1	1	1	1	1	1	1	1	1	1	1
55433-X08	D	3	3	3	3	3	3	3	3	3	3	3	3
	C	1	1	1	1	1	1	1	1	1	1	1	1
	B	1	1	1	1	1	1	1	1	1	1	1	1
	A	1	1	1	1	1	1	1	1	1	1	1	1
55433-X09	D	4	4	4	4	4	4	4	4	4	4	4	4
	C	4	4	4	4	4	4	4	4	4	4	4	4
	B	4	4	4	4	4	4	4	4	4	4	4	4
	A	4	4	4	4	4	4	4	4	4	4	4	4
55433-X10	D	1	1	1	1	1	1	1	1	1	1	1	1
	C	2	2	2	2	2	2	2	2	2	2	2	2
	B	3	3	3	3	3	3	3	3	3	3	3	3
	A	4	4	4	4	4	4	4	4	4	4	4	4
55433-X11	D	3	3	3	3	3	3	3	3	3	3	3	3
	C	1	1	1	1	1	1	1	1	1	1	1	1
	B	3	3	3	3	3	3	3	3	3	3	3	3
	A	3	3	3	3	3	3	3	3	3	3	3	3
55433-X12	D	4	4	4	4	4	4	4	4	4	4	4	4
	C	3	3	3	3	3	3	3	3	3	3	3	3
	B	2	2	2	2	2	2	2	2	2	2	2	2
	A	1	1	1	1	1	1	1	1	1	1	1	1
55433-X13	D	1	1	1	1	1	1	1	1	1	1	1	1
	C	1	1	1	1	1	1	1	1	1	1	1	1
	B	3	3	3	3	3	3	3	3	3	3	3	3
	A	1	1	1	1	1	1	1	1	1	1	1	1
55433-X14	D	2	2	2	2	2	2	2	2	2	2	2	2
	C	1	1	1	1	1	1	1	1	1	1	1	1
	B	2	2	2	2	2	2	2	2	2	2	2	2
	A	1	1	1	1	1	1	1	1	1	1	1	1
55433-X15	D	2	2	2	2	2	2	2	2	2	2	2	2
	C	3	3	3	3	3	3	3	3	3	3	3	3
	B	4	4	4	4	4	4	4	4	4	4	4	4
	A	3	3	3	3	3	3	3	3	3	3	3	3

mat'l code		--	tolerances unless otherwise specified		CUSTOMER	ELECTRONICS www.fciconnect.com	
ltr	ecr no.	dr	date	linear	COPY	projection	title METRAL SIGNAL HEADER 2 MOD, 4 ROW SPECIAL STB
D					0.X ±0.3		
				angles	0.XX ±0.13	product family METRAL	code 213
					0° ±2°		
				dr	T.BRUNGARD	11/19/99	sheet 3
				enrg	M.STRAWSER	11/19/99	
				chr	M.STRAWSER	11/19/99	
				appd	M.STRAWSER	02/29/00	
sheet index	revision sheet						

Pro/E 3 cogé code 22526 4

Tous droits strictement reserves. Reproduction ou communication a des tiers interdite sous quelque forme que ce soit sans autorisation ecrite du propriétaire. Propriete de c FCI. Droits de reproduction FCI.

All rights strictly reserved. Reproduction or issue to third parties in any form whatever is not permitted without written authority from the proprietor. Property of FCI. Copyright FCI.



METRAL P/N	ROW	CONTACT CODE MOD. 1				MOD. 2							
		1	2	3	4	5	6	7	8	9	10	11	12
55433-X16	D	5	5	5	5	5	5	5	5	5	5	5	5
	C	5	5	5	5	5	5	5	5	5	5	5	5
	B	5	5	5	5	5	5	5	5	5	5	5	5
	A	5	5	5	5	5	5	5	5	5	5	5	5
55433-X17	D	5	5	5	5	5	5	5	5	5	5	5	5
	C	5	5	5	5	5	5	5	5	5	5	5	5
	B	5	5	5	5	5	5	5	5	5	5	5	5
	A	7	7	7	7	7	7	7	7	7	7	7	7
55433-X18	D	7	7	7	7	7	7	7	7	7	7	7	7
	C	6	6	6	6	6	6	6	6	6	6	6	6
	B	6	6	6	6	6	6	6	6	6	6	6	6
	A	7	7	7	7	7	7	7	7	7	7	7	7
55433-X19	D	8	8	8	8	8	8	8	8	8	8	8	8
	C	7	7	7	7	7	7	7	7	7	7	7	7
	B	7	7	7	7	7	7	7	7	7	7	7	7
	A	8	8	8	8	8	8	8	8	8	8	8	8
55433-X20	D	7	7	7	7	7	7	7	7	7	7	7	7
	C	7	7	7	7	7	7	7	7	7	7	7	7
	B	7	7	7	7	7	7	7	7	7	7	7	7
	A	7	7	7	7	7	7	7	7	7	7	7	7
55433-X21	D	6	6	6	6	6	6	6	6	6	6	6	6
	C	6	6	6	6	6	6	6	6	6	6	6	6
	B	6	6	6	6	6	6	6	6	6	6	6	6
	A	6	6	6	6	6	6	6	6	6	6	6	6
55433-X22	D	7	7	7	7	7	7	7	7	7	7	7	7
	C	6	6	6	6	6	6	6	6	6	6	6	6
	B	6	6	6	6	6	6	6	6	6	6	6	6
	A	5	5	5	5	5	5	5	5	5	5	5	5
55433-X23	D	7	7	7	7	7	7	7	7	7	7	7	7
	C	5	5	5	5	5	5	5	5	5	5	5	5
	B	5	5	5	5	5	5	5	5	5	5	5	5
	A	5	5	5	5	5	5	5	5	5	5	5	5
55433-X24	D	8	8	8	8	8	8	8	8	8	8	8	8
	C	8	8	8	8	8	8	8	8	8	8	8	8
	B	8	8	8	8	8	8	8	8	8	8	8	8
	A	8	8	8	8	8	8	8	8	8	8	8	8
55433-X25	D	5	5	5	5	5	5	5	5	5	5	5	5
	C	6	6	6	6	6	6	6	6	6	6	6	6
	B	7	7	7	7	7	7	7	7	7	7	7	7
	A	8	8	8	8	8	8	8	8	8	8	8	8
55433-X26	D	7	7	7	7	7	7	7	7	7	7	7	7
	C	5	5	5	5	5	5	5	5	5	5	5	5
	B	7	7	7	7	7	7	7	7	7	7	7	7
	A	7	7	7	7	7	7	7	7	7	7	7	7
55433-X27	D	8	8	8	8	8	8	8	8	8	8	8	8
	C	7	7	7	7	7	7	7	7	7	7	7	7
	B	6	6	6	6	6	6	6	6	6	6	6	6
	A	5	5	5	5	5	5	5	5	5	5	5	5
55433-X28	D	5	5	5	5	5	5	5	5	5	5	5	5
	C	5	5	5	5	5	5	5	5	5	5	5	5
	B	7	7	7	7	7	7	7	7	7	7	7	7
	A	5	5	5	5	5	5	5	5	5	5	5	5
55433-X29	D	6	6	6	6	6	6	6	6	6	6	6	6
	C	5	5	5	5	5	5	5	5	5	5	5	5
	B	6	6	6	6	6	6	6	6	6	6	6	6
	A	5	5	5	5	5	5	5	5	5	5	5	5
55433-X30	D	6	6	6	6	6	6	6	6	6	6	6	6
	C	7	7	7	7	7	7	7	7	7	7	7	7
	B	8	8	8	8	8	8	8	8	8	8	8	8
	A	7	7	7	7	7	7	7	7	7	7	7	7

mat'l code		--	tolerances unless otherwise specified		CUSTOMER	ELECTRONICS	
ltr	ecr no.	dr	date	linear angles	COPY	www.fciconnect.com	
D					projection	title	
					MM	METRAL SIGNAL HEADER	
					scale 1:1	2 MOD, 4 ROW SPECIAL STB	
		dr	T.BRUNGARD	11/19/99	product family	METRAL	code
		enrg	M.STRAWSER	11/19/99	size	dwg no	213
		chr	M.STRAWSER	11/19/99	A	55433	sheet
		appd	M.STRAWSER	02/29/00			4
sheet index	revision sheet						

Pro/E 3 cogc code 22526 4

Tous droits strictement réservés. Reproduction ou communication a des tiers interdite sous quelque forme que ce soit sans autorisation écrite du propriétaire. Propriété de c.FCI. Droits de reproduction FCI.

All rights strictly reserved. Reproduction or issue to third parties in any form whatever is not permitted without written authority from the proprietor. Property of FCI. Copyright FCI.



METRAL P/N	ROW	CONTACT CODE MOD. 1					MOD. 2						
		1	2	3	4	5	6	7	8	9	10	11	12
55433-X31	D	9	9	9	9	9	9	9	9	9	9	9	9
	C	9	9	9	9	9	9	9	9	9	9	9	9
	B	9	9	9	9	9	9	9	9	9	9	9	9
	A	9	9	9	9	9	9	9	9	9	9	9	9
55433-X32	D	9	9	9	9	9	9	9	9	9	9	9	9
	C	9	9	9	9	9	9	9	9	9	9	9	9
	B	9	9	9	9	9	9	9	9	9	9	9	9
	A	1	1	1	1	1	1	1	1	1	1	1	1
55433-X33	D	1	1	1	1	1	1	1	1	1	1	1	1
	C	1	0	1	0	1	0	1	0	1	0	1	0
	B	1	0	1	0	1	0	1	0	1	0	1	0
	A	1	1	1	1	1	1	1	1	1	1	1	1
55433-X34	D	1	2	1	2	1	2	1	2	1	2	1	2
	C	1	1	1	1	1	1	1	1	1	1	1	1
	B	1	1	1	1	1	1	1	1	1	1	1	1
	A	1	2	1	2	1	2	1	2	1	2	1	2
55433-X35	D	1	1	1	1	1	1	1	1	1	1	1	1
	C	1	1	1	1	1	1	1	1	1	1	1	1
	B	1	1	1	1	1	1	1	1	1	1	1	1
	A	1	1	1	1	1	1	1	1	1	1	1	1
55433-X36	D	1	0	1	0	1	0	1	0	1	0	1	0
	C	1	0	1	0	1	0	1	0	1	0	1	0
	B	1	0	1	0	1	0	1	0	1	0	1	0
	A	1	0	1	0	1	0	1	0	1	0	1	0
55433-X37	D	1	1	1	1	1	1	1	1	1	1	1	1
	C	1	0	1	0	1	0	1	0	1	0	1	0
	B	1	0	1	0	1	0	1	0	1	0	1	0
	A	9	9	9	9	9	9	9	9	9	9	9	9
55433-X38	D	1	1	1	1	1	1	1	1	1	1	1	1
	C	9	9	9	9	9	9	9	9	9	9	9	9
	B	9	9	9	9	9	9	9	9	9	9	9	9
	A	9	9	9	9	9	9	9	9	9	9	9	9
55433-X39	D	1	2	1	2	1	2	1	2	1	2	1	2
	C	1	2	1	2	1	2	1	2	1	2	1	2
	B	1	2	1	2	1	2	1	2	1	2	1	2
	A	1	2	1	2	1	2	1	2	1	2	1	2
55433-X40	D	9	9	9	9	9	9	9	9	9	9	9	9
	C	1	0	1	0	1	0	1	0	1	0	1	0
	B	1	1	1	1	1	1	1	1	1	1	1	1
	A	1	2	1	2	1	2	1	2	1	2	1	2
55433-X41	D	1	1	1	1	1	1	1	1	1	1	1	1
	C	9	9	9	9	9	9	9	9	9	9	9	9
	B	1	1	1	1	1	1	1	1	1	1	1	1
	A	1	1	1	1	1	1	1	1	1	1	1	1
55433-X42	D	1	2	1	2	1	2	1	2	1	2	1	2
	C	1	1	1	1	1	1	1	1	1	1	1	1
	B	1	0	1	0	1	0	1	0	1	0	1	0
	A	9	9	9	9	9	9	9	9	9	9	9	9
55433-X43	D	9	9	9	9	9	9	9	9	9	9	9	9
	C	9	9	9	9	9	9	9	9	9	9	9	9
	B	1	1	1	1	1	1	1	1	1	1	1	1
	A	9	9	9	9	9	9	9	9	9	9	9	9
55433-X44	D	1	0	1	0	1	0	1	0	1	0	1	0
	C	9	9	9	9	9	9	9	9	9	9	9	9
	B	1	0	1	0	1	0	1	0	1	0	1	0
	A	9	9	9	9	9	9	9	9	9	9	9	9
55433-X45	D	1	0	1	0	1	0	1	0	1	0	1	0
	C	1	1	1	1	1	1	1	1	1	1	1	1
	B	1	2	1	2	1	2	1	2	1	2	1	2
	A	1	1	1	1	1	1	1	1	1	1	1	1

mat'l code		--		tolerances unless otherwise specified		CUSTOMER		ELECTRONICS www.fciconnect.com			
ltr	ecr no.	dr	date	linear	0. X ±0.3	projection	COPY		title METRAL SIGNAL HEADER 2 MOD, 4 ROW SPECIAL STB		
D					0. XX ±0.13			product family		code	
					.xxx ±.051			METRAL			213
				angles	0° ±2°	 MM scale 1:1	size		sheet		
		dr	T.BRUNGARD	11/19/99	A		dwg no			5	
		enr	M.STRAWSER	11/19/99			55433				
		chr	M.STRAWSER	11/19/99							
		appd	M.STRAWSER	02/29/00							
sheet index	revision sheet										

Tous droits strictement reserves. Reproduction ou communication a des tiers interdite sous quelque forme que ce soit sans autorisation ecrite du propriétaire. Propriete de c FCI. Droits de reproduction FCI.

All rights strictly reserved. Reproduction or issue to third parties in any form whatever is not permitted without written authority from the proprietor. Property of FCI. Copyright FCI.



METRAL P/N	ROW	CONTACT CODE MOD. 1				MOD. 2			
		1	2	3	4	5	6	7	8
55433-X46	D	2	2	2	2	2	2	2	2
	C	2	2	2	2	2	2	2	2
	B	4	4	4	4	4	4	4	4
	A	2	2	2	2	2	2	2	2
55433-X47	D	3	3	3	3	3	3	3	3
	C	4	4	4	4	4	4	4	4
	B	13	13	13	13	13	13	13	13
	A	13	13	13	13	13	13	13	13
55433-X48	D	3	3	3	3	3	3	3	3
	C	3	3	3	3	3	3	3	3
	B	13	13	13	13	13	13	13	13
	A	3	3	3	3	3	3	3	3
55433-X49	D	13	13	13	13	13	13	13	13
	C	13	13	13	13	13	13	13	13
	B	13	13	13	13	13	13	13	13
	A	13	13	13	13	13	13	13	13
55433-X50	D	10	10	10	10	10	10	10	10
	C	10	10	10	10	10	10	10	10
	B	11	11	11	11	11	11	11	11
	A	10	10	10	10	10	10	10	10

METRAL P/N	ROW	CONTACT CODE MOD. 1				MOD. 2			
		1	2	3	4	5	6	7	8
55433-X51	D	6	6	6	6	6	6	6	6
	C	6	6	6	6	6	6	6	6
	B	8	8	8	8	8	8	8	8
	A	6	6	6	6	6	6	6	6
55433-X52	D	13	1	13	13	1	1	1	13
	C	13	1	13	13	1	1	1	13
	B	13	1	13	13	1	1	1	13
	A	13	1	13	13	1	1	1	13

METRAL P/N	ROW	CONTACT CODE MOD. 1				MOD. 2			
		1	2	3	4	5	6	7	8
55433-X53	D	10	10	10	10	10	10	10	10
	C	10	10	10	10	10	10	10	10
	B	11	11	11	11	11	11	11	11
	A	10	10	10	10	10	10	10	10

mat'l code		--		tolerances unless otherwise specified		CUSTOMER		ELECTRONICS www.fciconnect.com	
ltr	ecr no.	dr	date	linear	0.X ±0.3	COPY		projection	
D					0.XX ±0.13	MM			
					.XXX ±.051	1:1			
				angles	0° ±2°	scale			
		dr	T.BRUNGARD	11/19/99	product family		METRAL		code
		enr	M.STRAWSER	11/19/99	size		dwg no		213
		chr	M.STRAWSER	11/19/99	A		55433		sheet
		appd	M.STRAWSER	02/29/00					6
sheet index	revision sheet								

Pro/E

cage code 22526

PDM: Rev:D

STATUS: Released

Printed: May 01, 2002