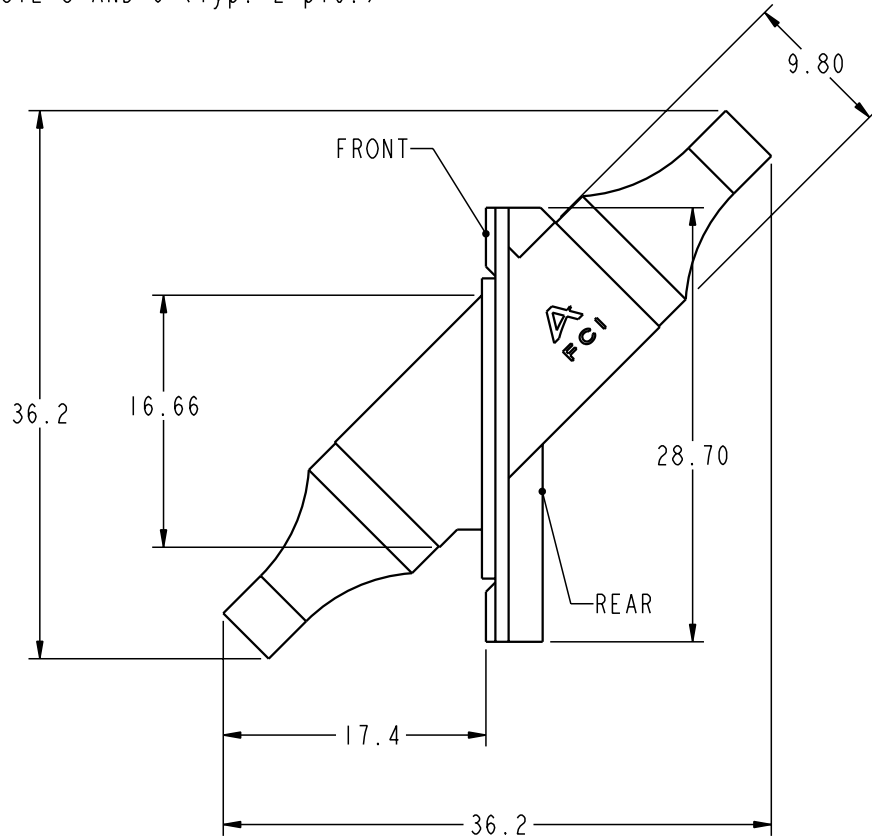
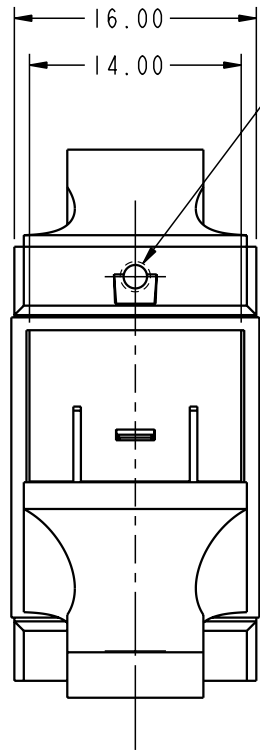


Tous droits strictement reserves. Reproduction ou communication a des tiers interdite sous quelque forme que ce soit sans autorisation ecrite du proprietaire. Propriete de c FCI. Droits de reproduction FCI.

All rights strictly reserved. Reproduction or issue to third parties in any form whatever is not permitted without written authority from the proprietor. Property of FCI. Copyright FCI.



PRODUCT NUMBER	STYLE
10009255-001LF	NO SHUTTER



10009255-001LF

mat'l code				SEE NOTE 4			tolerances unless otherwise specified			CUSTOMER		 www.fciconnect.com		
ltr	ecn no.	dr	date	linear	0.X ±0.3			COPY		title 45° MPO DIE CAST ADAPTER ASSEMBLY				
A	V21443	BKB	9/06/02		0.XX ±0.10			projection						
B	V03-0262	HN	05/20/03		0.XXX ±0.050									
C	V05-0701	DAI	07/26/05	angles	0° ±2°					product family FIBER OPTICS		code		
				dr	B. BAHN	6/13/02		MM		size		dwg no	213	
				engr	B. TROSTLE	6/13/02		←→		A		10009255	sheet	
				chr	B. TROSTLE	6/13/02		scale		2:1		1 of 5		
				appd	D. BUSH	6/13/02								
sheet index		revision sheet		C	C	C	C	C						
		1 2		3	4	5								

Pro/E

cage code 22526

PDM: Rev:C

STATUS:Released

Printed: Jun 16, 2006

Tous droits strictement reserves. Reproduction ou communication a des tiers interdite sous quelque forme que ce soit sans autorisation écrite du propriétaire. Propriete de c FCI. Droits de reproduction FCI.

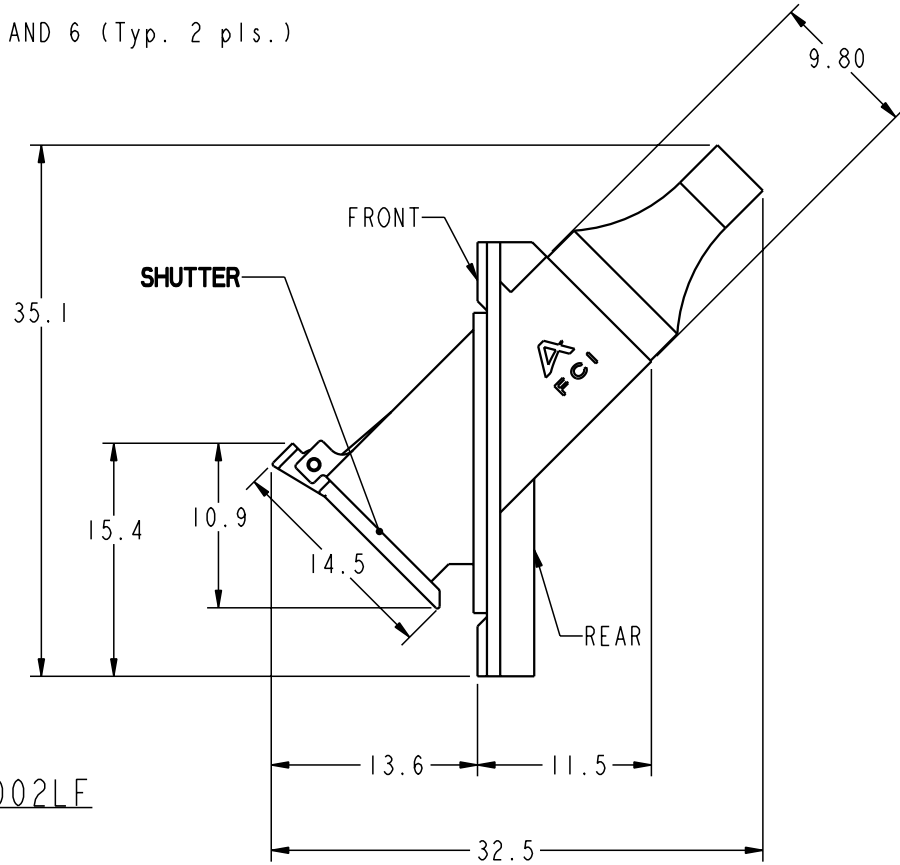
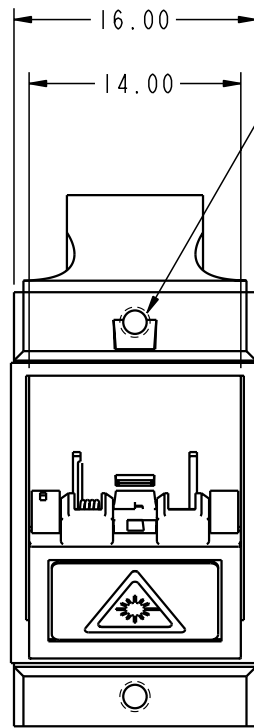
A
FCI

All rights strictly reserved. Reproduction or issue to third parties in any form whatever is not permitted without written authority from the proprietor. Property of FCI. Copyright FCI.

A

B

PRODUCT NUMBER	STYLE
10009255-002LF	WITH SHUTTER



10009255-002LF

mat'l code				SEE NOTE 4		tolerances unless otherwise specified		CUSTOMER		 www.fciconnect.com	
ltr	ecr no.	dr	date	linear	0.X ±0.3		COPY		projection	title	
C					0.XX ±0.10					45° MPO DIE CAST ADAPTER ASSEMBLY	
					0.XXX ±0.050		MM			product family FIBER OPTICS	
				angles	0° ±2°		scale		size		sheet
				dr	B. BAHN	6/13/02	2:1		A		10009255
				enr	B. TROSTLE	6/13/02					213
				chr	B. TROSTLE	6/13/02					2
				appd	D. BUSH	6/13/02					
sheet index	revision sheet										

A

B

1 | 2

3 |

4

1 | 2

Pro/E

3 |

cage code 22526

4

PDM: Rev:C

STATUS: **Released**

Printed: Jun 16, 2006

Tous droits strictement reserves. Reproduction ou communication a des tiers interdite sous quelque forme que ce soit sans autorisation ecrite du proprietaire. Propriete de c FCI. Droits de reproduction FCI.

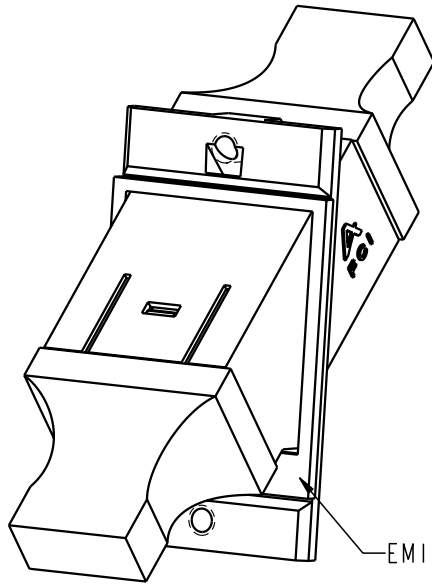
A
FCI

All rights strictly reserved. Reproduction or issue to third parties in any form whatever is not permitted without written authority from the proprietor. Property of FCI. Copyright FCI.

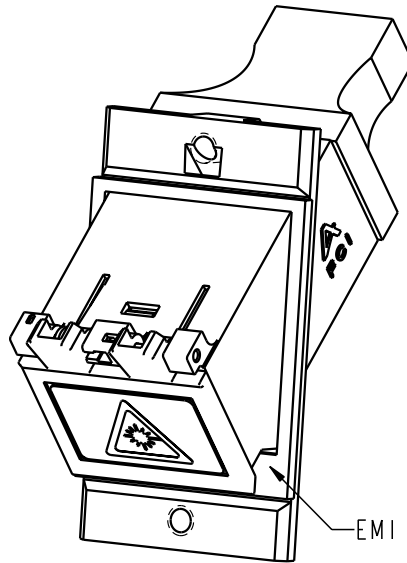
A

B

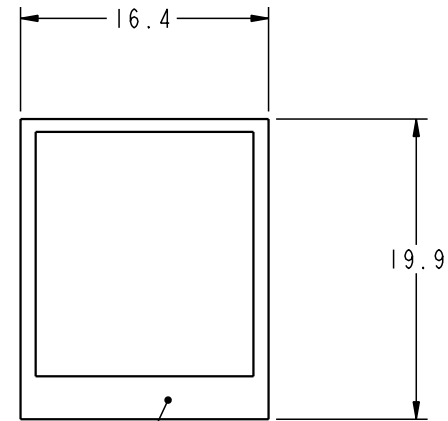
PRODUCT NUMBER	STYLE
10009255-001LF	NO SHUTTER
10009255-002LF	WITH SHUTTER



10009255-001LF



10009255-002LF



Install with this End to the Bottom Side of Adapter)
EMI GASKET

mat'l code				SEE NOTE 4		tolerances unless otherwise specified		CUSTOMER		 www.fciconnect.com		
ltr	ecr no.	dr	date	linear	0.X ±0.3		COPY		 title	45° MPO DIE CAST ADAPTER ASSEMBLY		
C					0.XX ±0.10		projection			product family FIBER OPTICS		code
					0.XXX ±0.050		 MM			size		213
				angles	0° ±2°		scale		A		sheet	
				dr	B. BAHN	6/13/02	2:1		10009255		3	
				enr	B. TROSTLE	6/13/02						
				chr	B. TROSTLE	6/13/02						
				appd	D. BUSH	6/13/02						
sheet index	revision sheet											

A

B

1 | 2

3 |

4

1 | 2

Pro/E

3 |

coge code 22526

4

PDM: Rev:C

STATUS: **Released**

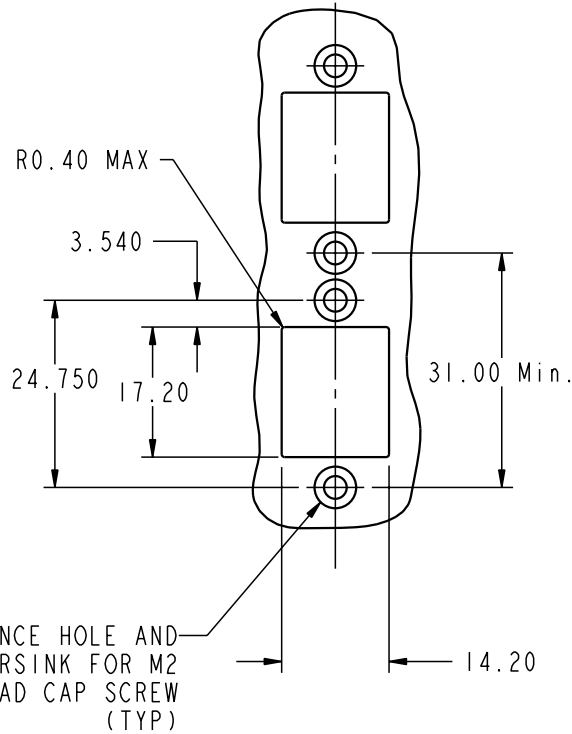
Printed: Jun 16, 2006

Tous droits strictement reserves. Reproduction ou communication a des tiers interdite sous quelque forme que ce soit sans autorisation écrite du propriétaire. Propriete de c FCI. Droits de reproduction FCI.

All rights strictly reserved. Reproduction or issue to third parties in any form whatever is not permitted without written authority from the proprietor. Property of FCI. Copyright FCI.

A
FCI

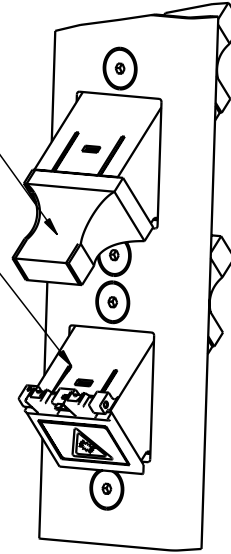
PRODUCT NUMBER	STYLE
10009255-001LF	NO SHUTTER
10009255-002LF	WITH SHUTTER



PANEL CUTOUT REFERENCE

1009255-001LF
ASSEMBLY

1009255-002LF
ASSEMBLY



mat'l code				SEE NOTE 4		tolerances unless otherwise specified		CUSTOMER		 www.fciconnect.com	
ltr	ecr no.	dr	date	linear	0.X ±0.3		COPY		projection	title	
C					0.XX ±0.10					45° MPO DIE CAST ADAPTER ASSEMBLY	
					0.XXX ±0.050					product family FIBER OPTICS code	
				angles	0° ±2°		MM		size	dwg no	213
				dr	B. BAHN	6/13/02			A	10009255	sheet
				enr	B. TROSTLE	6/13/02	scale		4		
				chr	B. TROSTLE	6/13/02	2:1				
				appd	D. BUSH	6/13/02					
sheet index	revision sheet										

Pro/E

cage code 22526

PDM: Rev:C

STATUS:Released

Printed: Jun 16, 2006

Tous droits strictement reserves. Reproduction ou communication a des tiers interdite sous quelque forme que ce soit sans autorisation écrite du propriétaire. Propriete de c FCI. Droits de reproduction FCI.

All rights strictly reserved. Reproduction or issue to third parties in any form whatever is not permitted without written authority from the proprietor. Property of FCI. Copyright FCI.

A
FCI

A

B

1 | 2

3 |

4


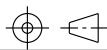

PRODUCT NUMBER	STYLE
10009255-001LF	NO SHUTTER
10009255-002LF	WITH SHUTTER

NOTES:

- SEE SHEET 3 FOR EMI GASKET, SEE SHEET 4 FOR PANEL CUTOUT.
- PARTS SHOWN ASSEMBLED FOR REFERENCE ONLY.
- THICKNESS OF CUSTOMER SUPPLIED PANEL TO BE 1.2mm ±0.10.
- MATERIAL AND PLATING:
ADAPTER - ZINC DIE CAST
PLATING - BRIGHT NICKEL
GASKET - CONDUCTIVE ELASTOMER, UL94 V-0
SHUTTER - POLYCARBONATE, UL94 V-0
- REQUIRED MOUNTING HARDWARE:
M2 X 4mm FLATHEAD CAP SCREW (QTY 2)
- RECOMMENDED SCREW TORQUE SETTING:
24ozf-in (NOT TO EXCEED 32ozf-in)
- LF INDICATES PART NUMBER IS LEAD FREE. LEAD FREE PART NUMBERS MEET EUROPEAN UNION DIRECTIVES AND OTHER COUNTRY REGULATIONS AS DESCRIBED IN GS-22-008.
- PACKAGE ACCORDING TO GS-14-920 FOR LEAD FREE LABELING SPECIFICATIONS REQUIREMENTS.
- THIS PRODUCT IS NOT INTENDED TO BE EXPOSED TO MANUFACTURING SOLDER PROCESSES.

A

B

mat'l code				SEE NOTE 4		tolerances unless otherwise specified		CUSTOMER		 FCI www.fciconnect.com	
ltr	ecr no.	dr	date	linear	0.X ±0.3		COPY			title	
C					0.XX ±0.10		projection			45° MPO DIE CAST ADAPTER ASSEMBLY	
					0.XXX ±0.050						
				angles	0° ±2°				product family FIBER OPTICS		
				dr	B. BAHN	6/13/02	MM		code		
				enrg	B. TROSTLE	6/13/02	← MM →		size		
				chr	B. TROSTLE	6/13/02	scale		dwg no		
				appd	D. BUSH	6/13/02	2:1		10009255		
sheet index	revision sheet								sheet		
									5		

1 | 2

Pro/E

3 |

cage code 22526

4

PDM: Rev:C

STATUS: **Released**

Printed: Jun 16, 2006