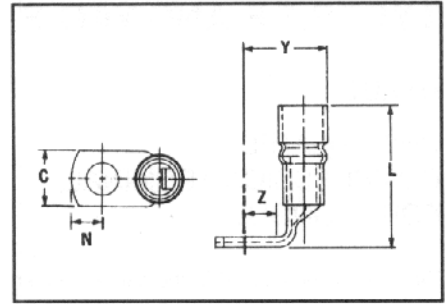
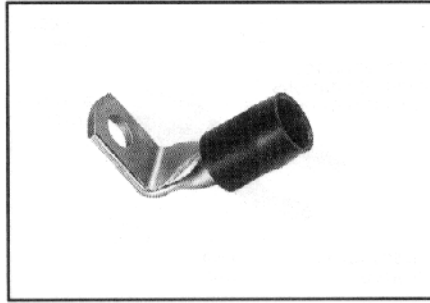


### TYPE YAEV-RH

#### INSULUG™

RIGHT-ANGLE TERMINALS,  
NYLON-INSULATED

DESIGNED TO  
ACCOMMODATE  
LARGER CONDUCTOR  
INSULATION DIAMETERS



B-25

Factory formed right angle INSULUG™ connectors made of seamless pure copper tubing. These rugged terminals withstand the most severe applications. Inspection hole in barrel permits visual check of wire insertion. Tin plated to resist corrosion. Meets requirements of MIL-T-7928.

CATALOG NUMBER	WIRE SIZE	STUD SIZE	N	C	Z MIN.	Y MAX.	L MAX.	INSTALLATION TOOLING			LENGTH		
								HYTOOL	HYPRESS Y29NC				
									NEST	INDENTOR			
YAEV8C-RH	8 Max. Insul. Dia.: .30" Sleeve Color: Red	8-10	.20	.41	.25	.87	1.38	A	DEV8L	Y29PLE-1	7/16"		
YAEV8C-RH1		1/4	.25	.41	.28	.90	1.38						
YAEV6C-RH1	6 Max. Insul. Dia.: .38" Sleeve Color: Blue	8-10	.25	.50	.28	.97	1.43	B	DEV6L		Y29PLE	1/2"	
YAEV6C-RH		1/4	.25	.50	.28	.97	1.43						
YAEV4C-RH	4 Max. Insul. Dia.: .44" Sleeve Color: Yellow	1/4	.25	.53	.28	1.04	1.53	C	DEV4L			Y29PLE	1/2"
YAEV4C-RH2		3/8	.31	.62	.34	1.11	1.53						
YAEV2C-RH1	2 Max. Insul. Dia.: .52" Sleeve Color: White	1/4	.33	.67	.34	1.22	1.88	D	DEV2L	Y29PLE	5/8"		
YAEV2C-RH		3/8	.33	.67	.34	1.22	1.88						
YAEV1C-RH2	1 Max. Insul. Dia.: .52" Sleeve Color: White	5/16	.33	.73	.34	1.32	1.99	E	DV26L		Y29PLE	5/18"	
YAEV1C-RH		3/8	.33	.73	.34	1.32	1.99						
YAEV25-RH	1/0 Max. Insul. Dia.: .66" Sleeve Color: Blue	3/8	.39	.81	.43	1.50	2.29	F	DEV25L			Y29PLE	11/16"
YAEV26-RH	2/0 Max. Insul. Dia.: .73" Sleeve Color: Yellow	3/8	.39	.92	.47	1.60	2.42						

A	B	C	D	E	F	G
Ratchet: M8ND with N8CET-2 Die Non-Ratchet: MY28-6†† Hydraulic: Y35, Y39 with U8CET Die Set	Non-Ratchet: MY28-6†† Hydraulic: Y35, Y39 with U6CET Die Set	Non-Ratchet: MY28-6†† Hydraulic: Y35, Y39 with U4CET Die Set	Non-Ratchet: MY28-6†† Hydraulic: Y35, Y39 with U2CET Die Set	Non-Ratchet: MY28-6†† Hydraulic: Y35, Y39 with U1CET Die Set	Non-Ratchet: MY28-6†† Hydraulic: Y35, Y39 with U25ET Die Set	Non-Ratchet: MY28-6†† Hydraulic: Y35, Y39 with U26ET Die Set

†† BMY BNCH-MT bench mount adapter available.