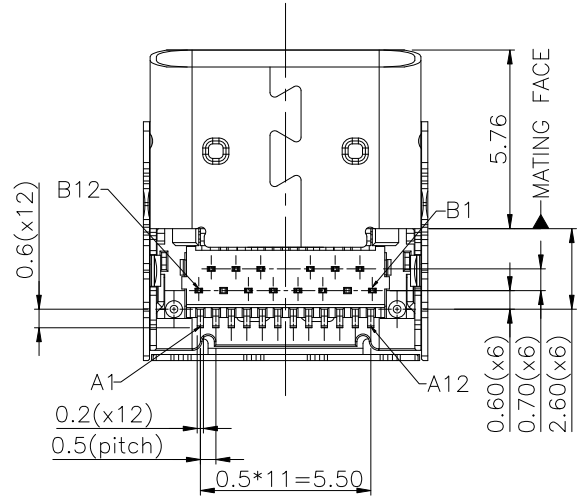
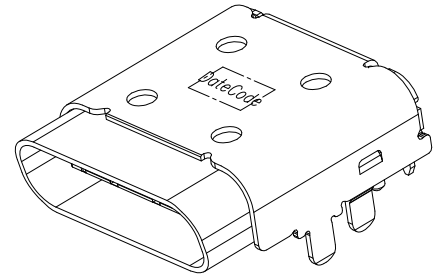
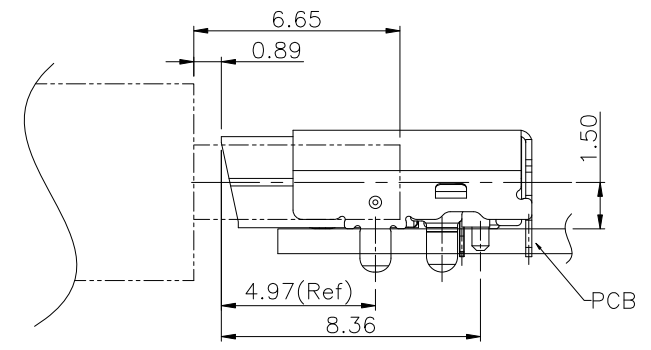
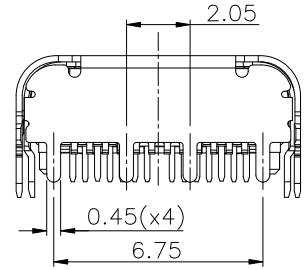
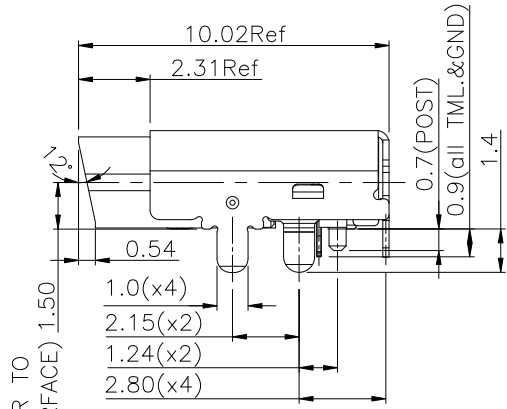
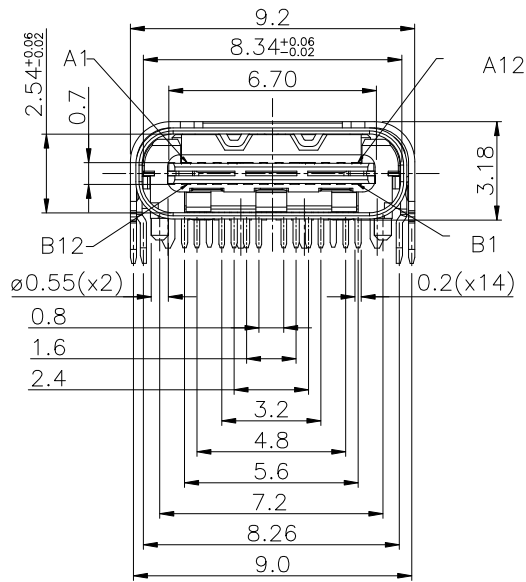


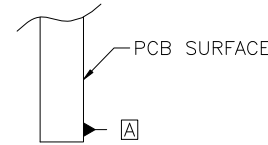
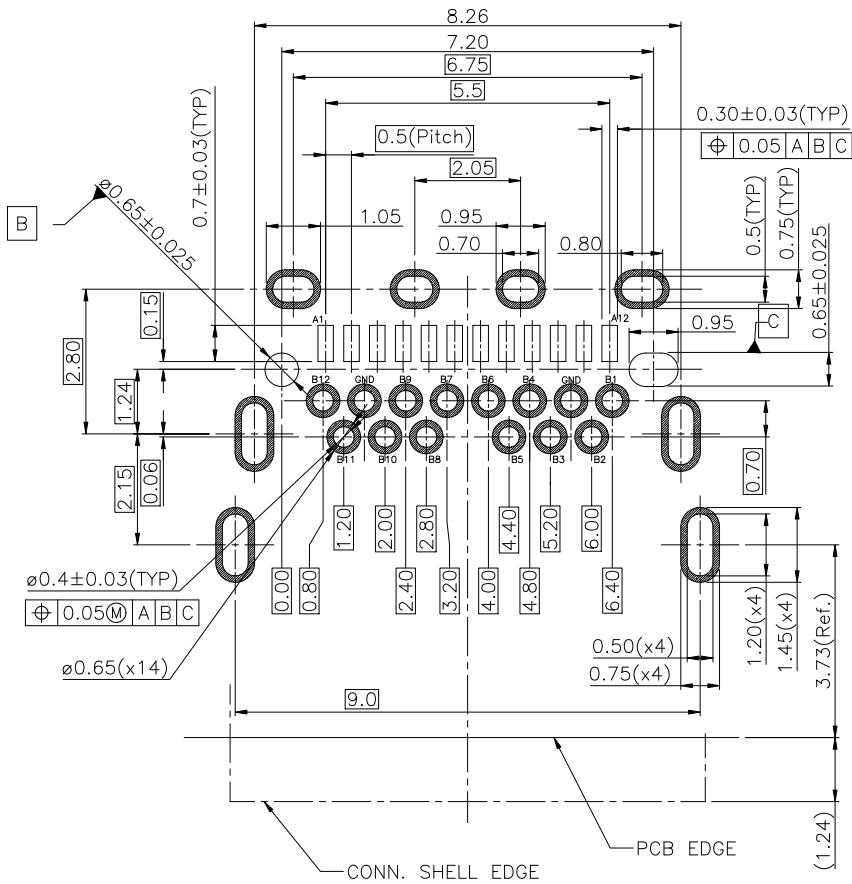
PRODUCT NUMBER
SEE PART NO. SCHEME



⑥	TOP CONTACT	1 SET	COPPER ALLOY	Ni UNDER PLATING. MATTE TIN PLATING ON SOLDER AREA.
⑤	BOTTOM CONTACT	1 SET	COPPER ALLOY	GOLD PLATING ON CONTACT AREA. (SEE P/N SCHEME)
④	SHIELDING PLATE	1 PCS	STAINLESS	Ni PLATING OVERALL.
③	HOUSING	1 PCS	THERMOPLASTIC	UL94V-0, BLACK
②	SHELL	1 PCS	STAINLESS	Ni PLATING OVERALL.
①	TOP SHELL	1 PCS	STAINLESS	Ni PLATING OVERALL.

ITEM	PART NAME	QTY	MATERIAL	REMARK			
mat'l. code		surface	tolerance	projection			
ltr		ecn no	dr	date			
A		TAI	2015-10-06				
angles		tolerances unless otherwise specified	±0.3	product family			
X°±3°		scale	MM	USB			
dr		KENNY TAI	2015-09-21	title USB 3.1 TYPE C REC., R/A, SMT AND DIP TAILS, FOR ANGLED OPENING CASE			
enr		KENNY TAI	2015-09-21				
chr		KENNY TAI	2015-09-21				
appd		PM ZHENG	2015-10-06				
sheet index		revision sheet	A 1	A 2	dwg no	sheet 1 of 2	size
					10137066	A4	
					type CUSTOMER Drawing		

PRODUCT NUMBER
SEE PART NO. SCHEME



PIN	SIGNAL NAME	PIN	SIGNAL NAME
A1	GND	B12	GND
A2	SSTXp1	B11	SSRXp1
A3	SSTXn1	B10	SSRXn1
A4	VBUS	B9	VBUS
A5	CC1	B8	SBU2
A6	Dp1	B7	Dn2
A7	Dn1	B6	Dp2
A8	SBU1	B5	CC2
A9	VBUS	B4	VBUS
A10	SSRXn2	B3	SSTXn2
A11	SSRXp2	B2	SSTXp2
A12	GND	B1	GND

NOTES :

- ELECTRICAL :
 - CONTACT CURRENT RATING :
5.0A FOR VBUS AND GND.
(i.e., Pins A4,A9,B4,B9)
1.25A FOR Vconn AND GND.
(i.e., Pins B5,A1,A12,B1,B12)
0.25A FOR ALL THE OTHERS CONTACTS.
 - INSULATION RESISTANCE :
100 MEGAOHMS MIN. AT 250VDC.
 - DIELECTRIC WITHSTANDING VOLTAGE :
100VAC MIN.
 - LOW LEVEL CONTACT RESISTANCE :
INITIAL 40mΩ MAX.
AFTER 50mΩ MAX.

2. MECHANICAL CHARACTERISTICS :

- INSERTION FORCE :
5N~20N .
- EXTRACTION FORCE :
8N~20N FROM 1 TO 1000 CYCLES
6~20N FROM 1001 TO 10000 CYCLE.
- DURABILITY :
10,000 MATING CYCLES.
- OPERATING TEMPERATURE :
-55°C TO +85°C

3. CAPABLE TO 260°C REFLOW SOLDER FOR 10 SEC.

4. PRODUCT SPECITICATION: GS-12-1336

5. PACKAGE SPECITICATION: GS-14-2487

PART NUMBER SCHEME:
10137066-000 X X LF

CONTACT PLATING
1. GOLD FLASH
2. 30u" Au

PACKAGING
1. TAPE AND REEL

RECOMMENDED PCB LAYOUT
TOLERANCE ±0.05

mat'l. code		surface	tolerance	projection	product family
ltr		tolerances unless otherwise specified			USB
ecn	no	angles	±0.3	MM	title
dr	date	X°±3°		scale	USB 3.1 TYPE C REC., R/A, SMT AND DIP TAILS, FOR ANGLED OPENING CASE
dr	KENNY TAI	2015-09-21			dwg no
enr	KENNY TAI	2015-09-21			sheet 2 of 2
chr	KENNY TAI	2015-09-21			size
appd	PM ZHENG	2015-10-06			A4
sheet index	revision sheet	A	A		type
	1	2			CUSTOMER Drawing