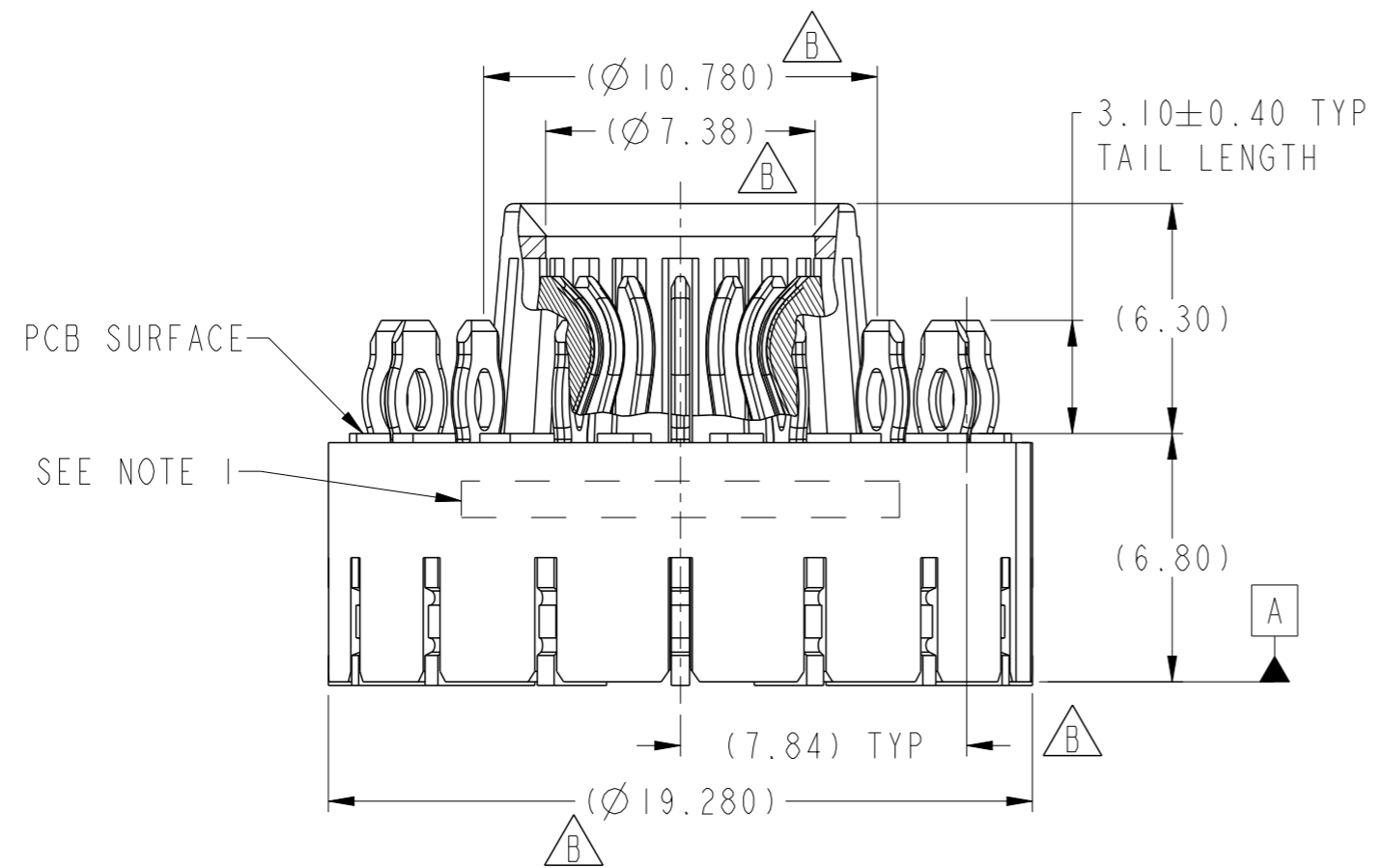
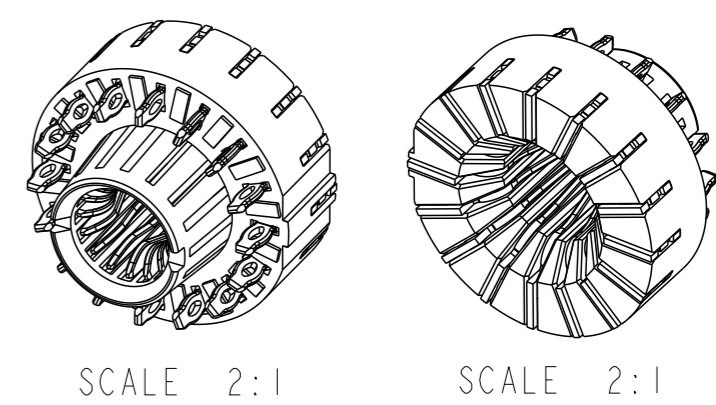
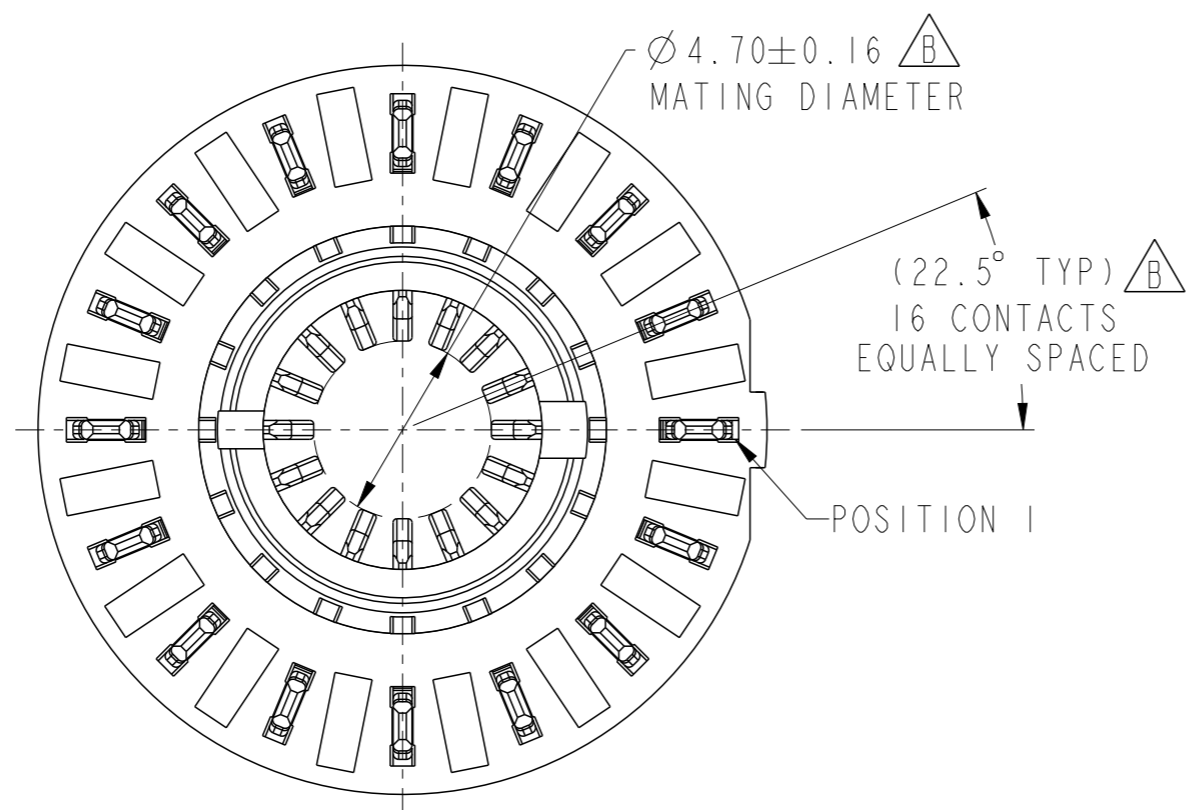


Product number  
10132381-20600LF



spec ref	-	dr	T Brungard	2015/05/13	projection	mm	size	A3	scale	5:1	
tolerance std	ISO 406 ISO 1101	eng	T Brungard	2015/11/20		← →	ecn no	ELX-V-22541-1			
surface	✓	chr	-	-			product family	SheerPwr	rel level	Released	
ISO 1302	linear	appr	C Kolivoski	2015/11/23	ASSEMBLY FOR $\varnothing 6.00$ mm PIN VERT RECEPTACLE, SheerPwr Circular		dwg no	10132381-20600LF		rev	B
	angular	www.fci.com		cat. no.	-	Product - Customer Drw	sheet 1 of 2				

Copyright FCI.  
**FCI**

1

2

3

4

A

B

C

D

A

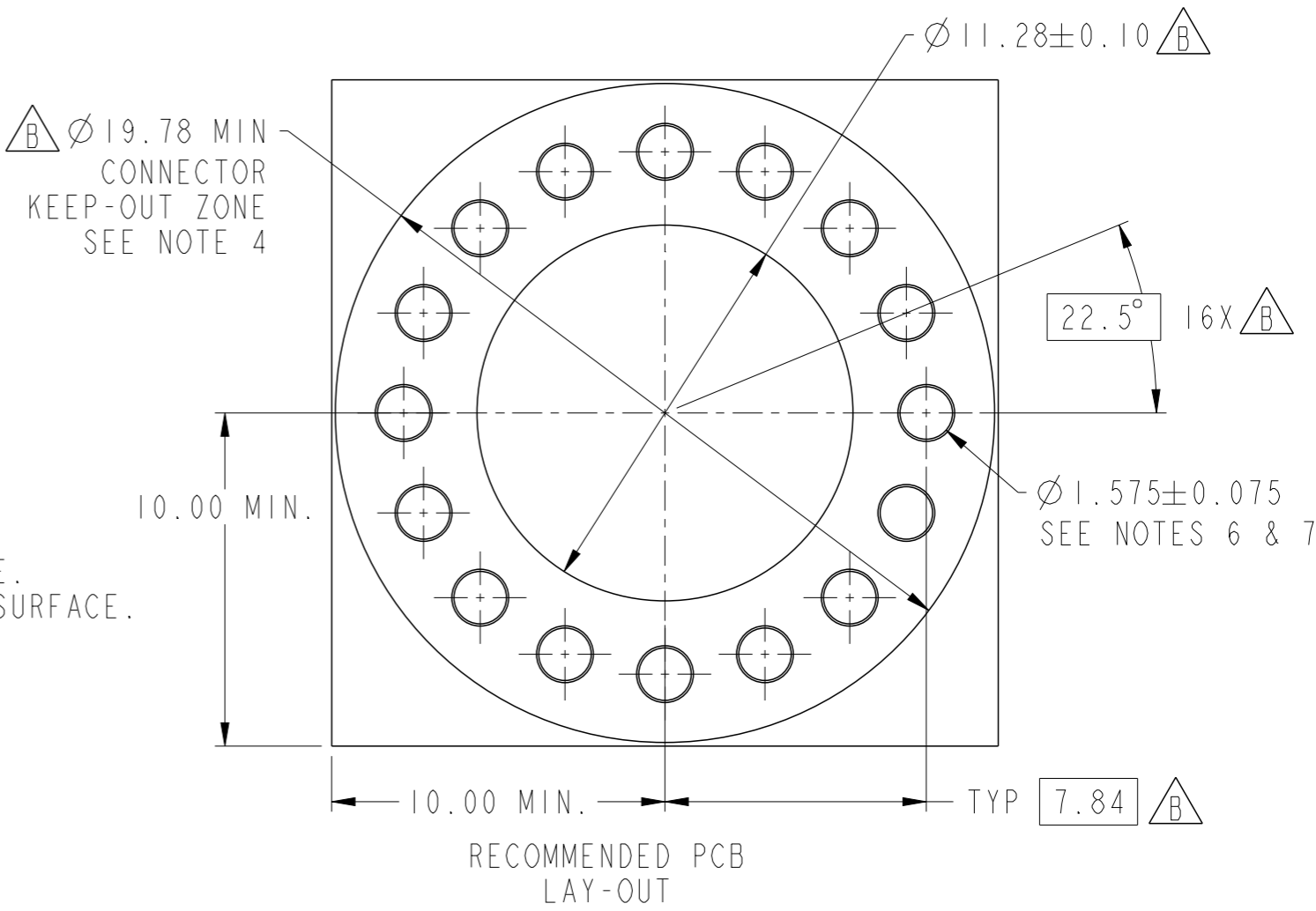
B

C

D

NOTES:

- 1. "FCI", PART NUMBER AND DATE CODE TO BE MARKED ON THIS SURFACE. THE P/N CAN BE OMITTED IF THERE IS NOT ENOUGH SPACE ON THIS SURFACE.
- 2. MATERIALS:  
HOUSING - GLASS FILLED WITH HIGH TEMP POLYAMIDE, UL94V-0.  
POWER CONTACTS - HIGH CONDUCTIVITY COPPER ALLOY.
- 3. PLATING SPECIFICATION - REFER TO FCI GS-15-0114.
- 4. DENOTES CONNECTOR KEEP OUT ZONE.
- 5. DATUMS AND BASIC DIMENSIONS ARE ESTABLISHED BY CUSTOMER.
- 6. ALL HOLE DIAMETERS ARE FINISHED HOLE SIZES.
- 7. 1.705±0.025mm DRILLED HOLE PLATED WITH 7.62µm MIN Sn OVER 25.4µm-76.2µm Cu PLATING TO ACHIEVE A 1.575±0.075mm FINISHED HOLE.
- 8. PRODUCT SPECIFICATION - REFER TO FCI GS-12-1316.  
APPLICATION SPECIFICATION - REFER TO FCI GS-20-0467.  
PRODUCT PACKAGE IN TRAYS - REFER TO FCI GS-14-2432.
- 9. CONNECTOR DESIGNED TO MATE WITH A Ø6.00±0.03mm MATING PIN. CONNECTOR CAN HANDLE A ±0.64mm PERMANENT MISALIGNMENT OF THE MATING PIN.
- 10. A  $\triangle B$  SYMBOL WILL BE NEXT TO ANY DIMENSION, VIEW, OR NOTE WHICH HAS BEEN MODIFIED WITH THE CURRENT DRAWING REVISION.



Copyright FCI.

spec ref -		dr T Brungard	2015/05/13	projection	mm	size A3	scale 5:1
tolerance std ISO 406 ISO 1101		eng T Brungard	2015/11/20		← →	ecn no ELX-V-22541-1	
TOLERANCES UNLESS OTHERWISE SPECIFIED		chr -	-			rel level Released	
surface ✓	linear	0.X	±0.3	product family SheerPwr	dwg no 10132381-20600LF	rev B	sheet 2 of 2
		0.XX	±0.10				
		0.XXX	±0.050				
ISO 1302	angular	0°	±2°	www.fci.com	cat. no. -	Product - Customer Drw	