

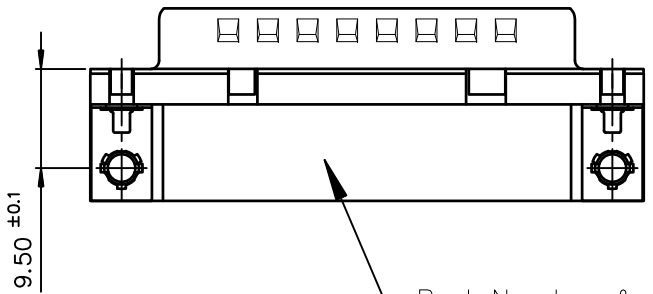
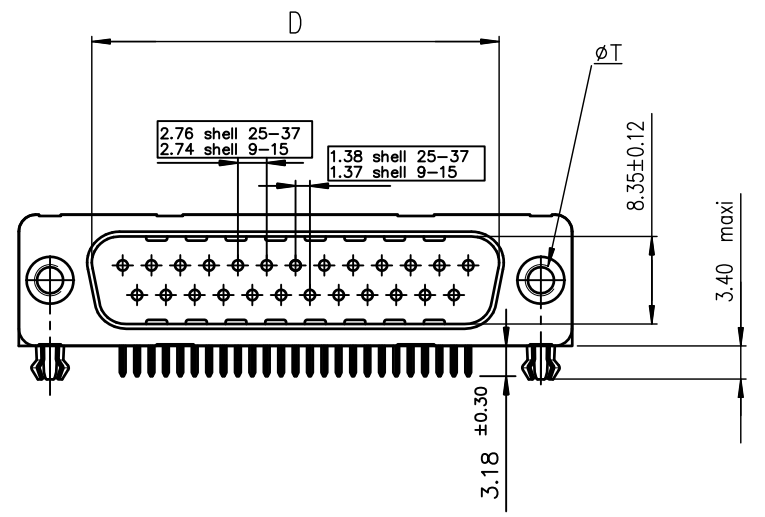
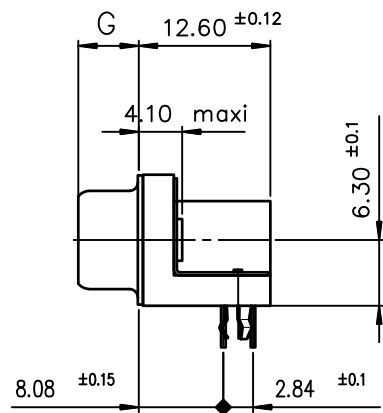
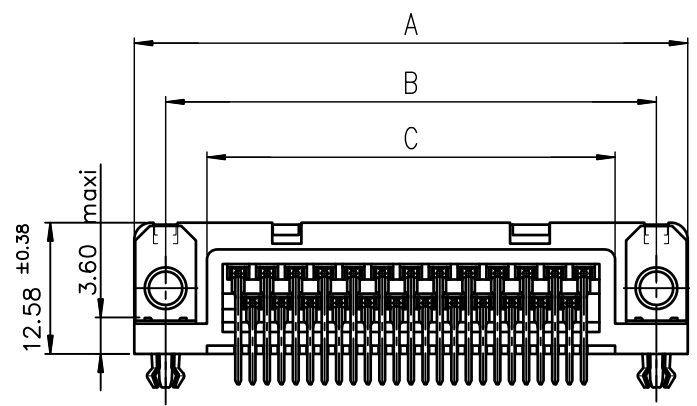


FCIconnect.com

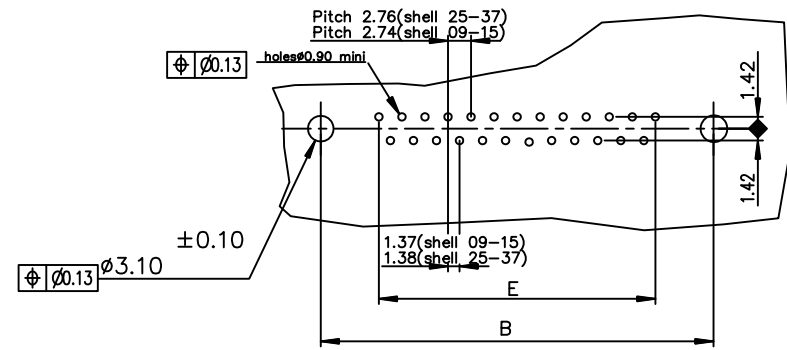
Copyright FCI

D

form: A3



PC card drilling dimensions(after plating)
(thickness 1.60±0.20mm)



LEAD FREE PART NUMBER

SHELL	A±0.38	B±0.12	C±0.10	D±0.25	E±0.07	G	200 Mating	500 Mating
09	30.81	24.99	16.96	16.79	10.96	5.90±0.15	D09P33E4G*00LF	D09P33E6G*00LF
15	39.14	33.32	25.18	25.12	19.18	5.90±0.15	D25P33E4G*00LF	D15P33E6G*00LF
25	53.03	47.04	39.12	38.84	33.12	5.70±0.25	D25P33E4G*00LF	D25P33E6G*00LF
37	69.32	63.50	55.68	55.30	49.68	5.70±0.25	D37P33E4G*00LF	D37P33E6G*00LF

L -->ØT=M3
X -->ØT=UNC 4-40

Technical characteristics:

Insulators: self-extinguishing thermoplastic, ULclass94V0, IR or reflow process compatible

Climatic characteristics:

Operating temperature range: -55°C +125°C

The housing will withstand exposure to 260°C peak temperature for 30 seconds in a convection, infra-red or vapor reflow over solder application

FOR ALL OTHER DETAILS REFER DWG.NO:C01-8646-0000

mat'l. code		surface		tolerance		projection		product family	
-		ISO 1302		ISO 406 ISO 1101				D-SUB	
ltr		ecn no		dr		date		title	
A		-		AB		2015-07-23		MALE CONNECTOR DD RA (US) HIGH TEMPERATURE INSULATOR	
						angles		MM	
						linear		scale 2:1	
						0±1°			
						dr		ALIAS BABU 2015-07-23	
						enrg		ALIAS BABU 2015-07-23	
						chr		MITHUN PAUL 2015-07-23	
						appd		BIJU K PAUL 2015-07-23	
sheet index		revision		A				sheet 1 of 1 size	
		sheet		1				10136292 A3	
								type Product Customer Drawing	