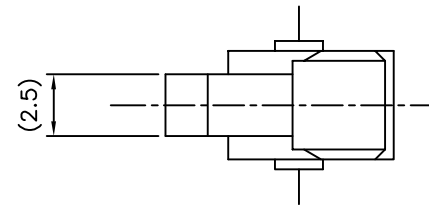
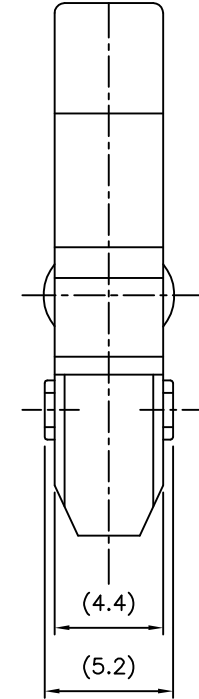
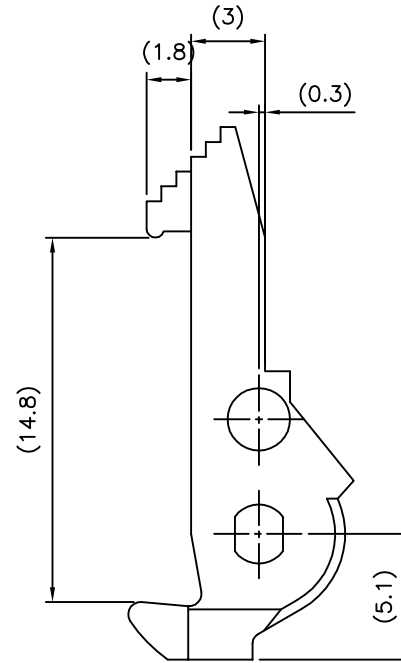
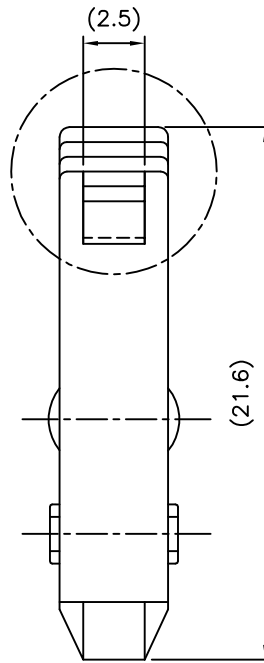


PRODUCT NUMBER
67018-X01LF

RoHS COMPATIBLE, SEE NOTE 3

CODE	COLOUR
0	GREY
1	BLUE
2	BLACK



NOTES:

1. MOLDING MATERIAL : 30% GLASSFIBER POLYESTER, FLAME RETARDANT PER UL-94-V0
COLOR : GREY, OR BLUE (SEE TABLE)
2. 0.08 MAX. FLASH ALLOWED ON SPLIT LINE
3. RoHs COMPATIBLE PRODUCT
 - a - LABELLING:
- MEETS PACKAGING SPECS AS PER GS-14-920
 - b - LEGAL STATEMENT : SEE GS-47-0004
 - c - THE PRODUCT IS NOT INTENDED TO BE EXPOSED TO MANUFACTURING SOLDER PROCESS
 - d - PRODUCT MEETS WITH EU 2002/EG/95

mat'l. code		surface	tolerance	projection	product family
		ISO 1302	ISO 406 ISO 1101		QUICKIE
ltr		tolerances unless otherwise specified			title
B	F08395	VMO	98.07.27		
C	F05-0257	LMU	05.10.11	.XX ±0.13	EJECTOR LATCH STANDARD
D	F06-0274	LMU	06.10.18	.XXX ±0.05	
				scale 1:1	dwg no
E	B-16667	JCO	14.01.07	dr	L.MULIN 05.10.11
F	B-19563	BVE	14.11.27	engr	J.COMPAGNON 05.10.11
				chr	
				appd	J.CO 14.01.07
sheet		revision		sheet 1 of 1 size	
index		sheet		67018 A3	
				type CUSTOMER Drawing	