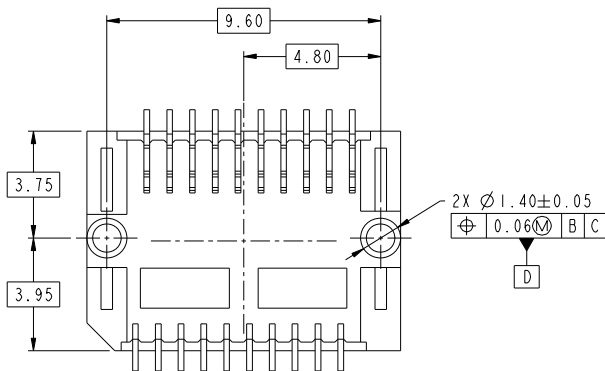
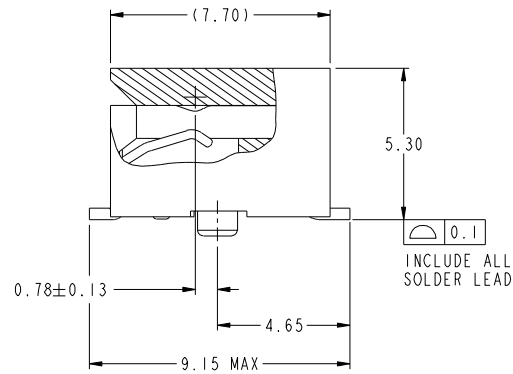
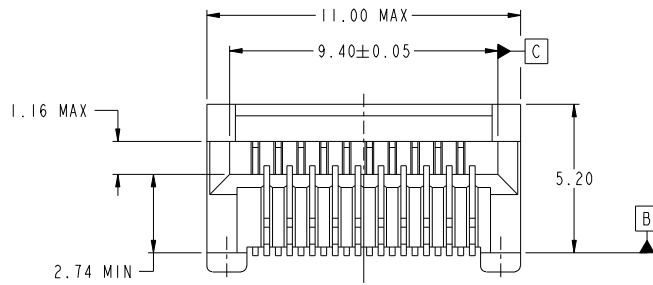
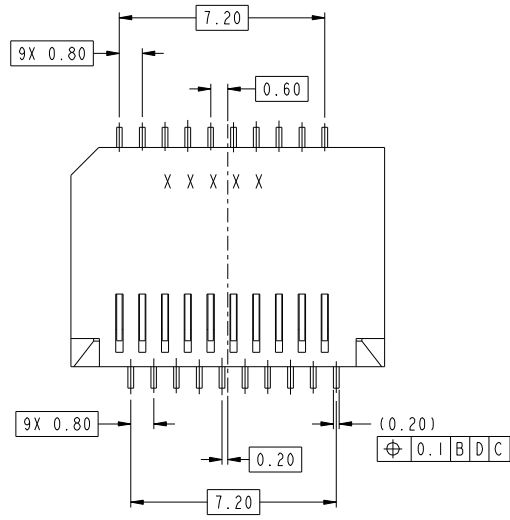
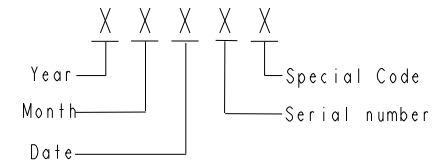


PRODUCT NUMBER	CONTACT AREA PLATING	PACKAGING
10099099-111LF	0.76µm Au	TAPE AND REEL



NOTES:

- MATERIAL:  
HOUSING: THERMOPLASTIC, BLACK, UL 94V-0.  
CONTACT: PHOSPHOR BRONZE.
- PLATING:  
UNDERPLATE: 1.27µm MIN NICKEL OVER ALL  
SOLDER AREA: 3.81µm MIN TIN(LEAD FREE)  
MATING AREA: SEE PRODUCT NUMBER TABLE.
- DESIGNED TO CONFORM WITH SFP+ MSA SPECIFICATION.
- PRODUCT SPECIFICATION: GS-12-616
- APPLICATION SPECIFICATION: GS-20-125
- PRODUCT MEETS EUROPEAN UNION DIRECTIVES AND OTHER COUNTRY REGULATIONS AS DESCRIBED IN GS-22-008.
- DATE CODE BE PRINTED ON PROPER SURFACE.

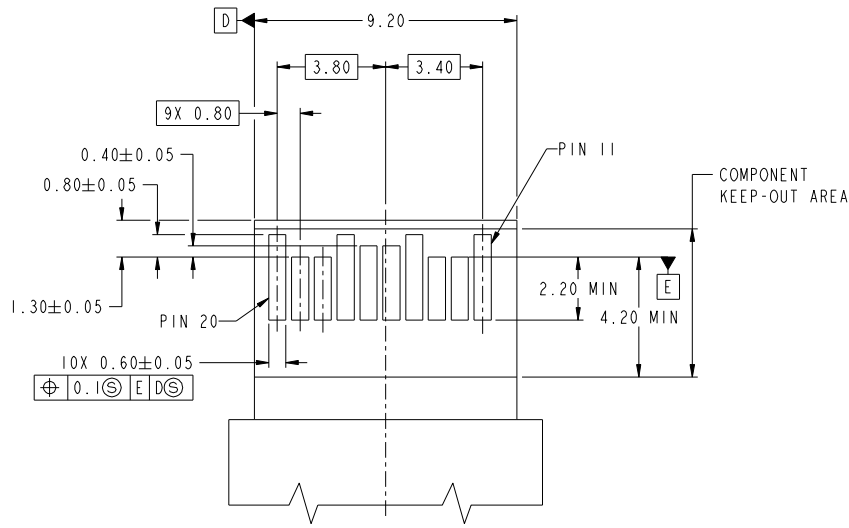


DATE CODE DESCRIPTION

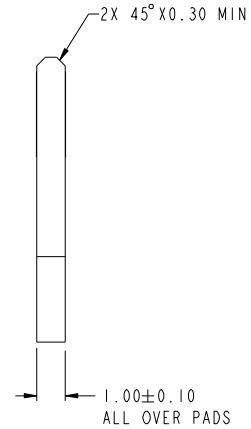
Copyright FCI.

www.fciconnect.com		surface	tolerance std	projection	MM
		ASME Y14.5	ASME Y14.5		
		TOLERANCES UNLESS OTHERWISE SPECIFIED			
Dr	S. MANI	2009-04-08	ANGULAR	0.x	±0.2
Eng	M. GRAY	2009-05-21	LINEAR	0.xx	±0.15
Chr	M. GRAY	2009-05-21	0°	0.xxx	±
Appr	M. GRAY	2009-05-21	Product family		SFP+
		Product family		Spec ref	RELEASE
FCI		SPP+ 20 POSITION		10099099	Rev. B
		STANDARD TYPE		10099099	B
		catalog no		CUSTOMER	sheet 1 of 3

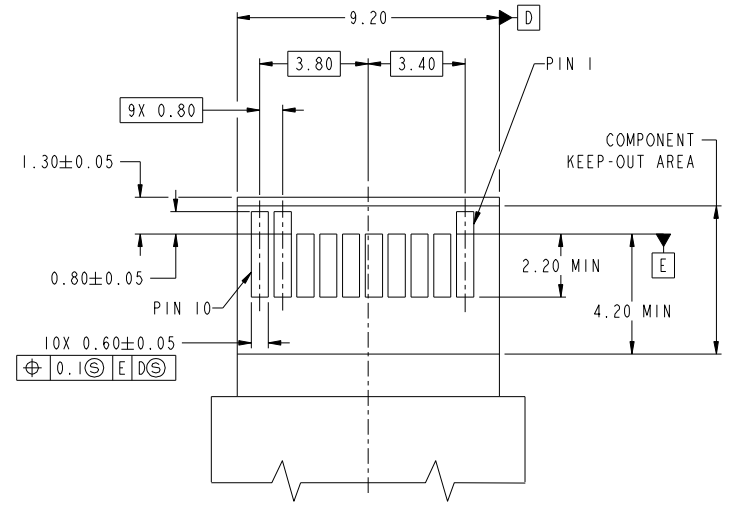
PRODUCT NUMBER  
10099099-111LF



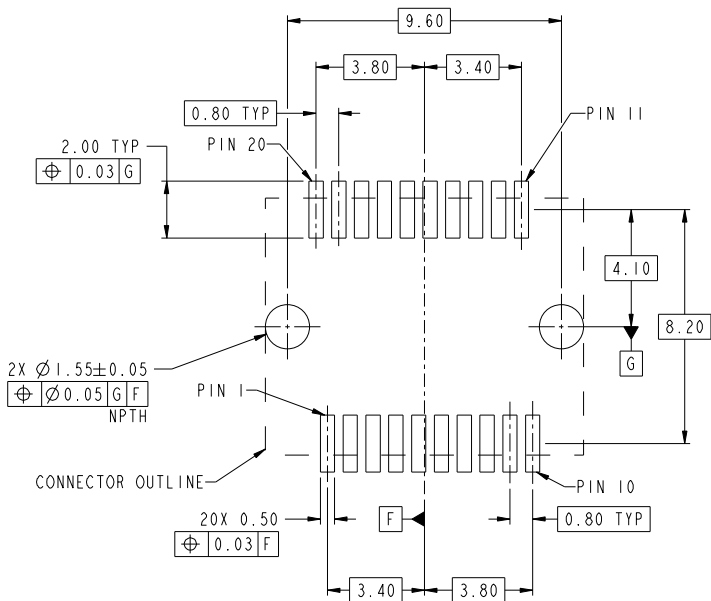
TOP VIEW OF BOARD



RECOMMENDED MATING PCB CONFIGURATION



BOTTOM VIEW OF BOARD

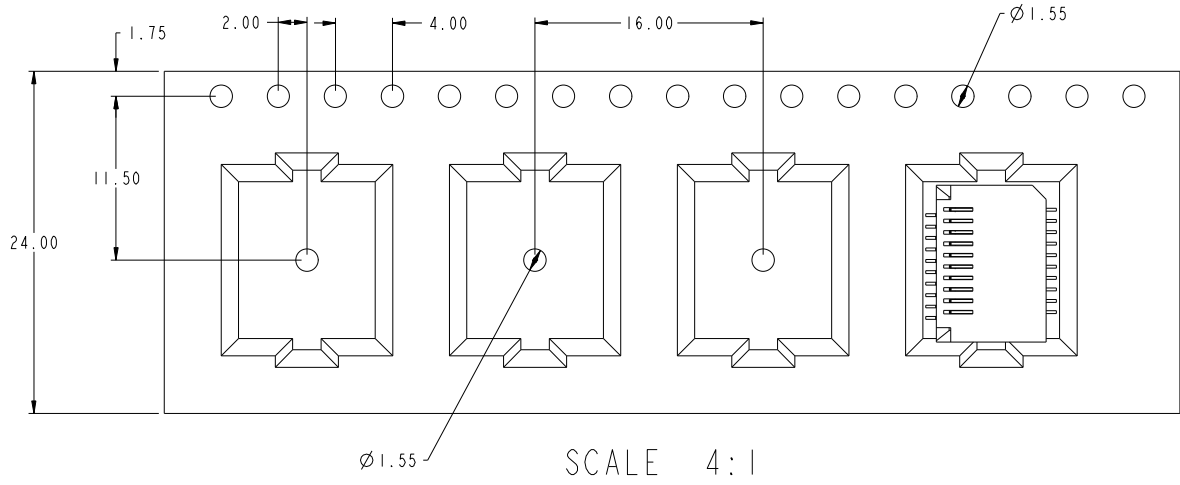


RECOMMENDED PCB CONFIGURATION

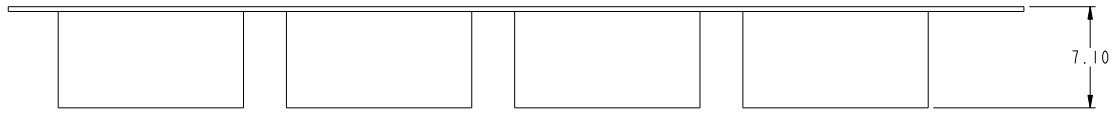
Copyright FCI.  
FCI

www.fciconnect.com		surface -	tolerance std	projection	MM
		ASME Y14.5	ASME Y14.5		
TOLERANCES UNLESS OTHERWISE SPECIFIED					
Dr	S. MANI	2009-04-08	ANGULAR	0.x	±0.2
Eng	M. GRAY	2009-05-21	LINEAR	0.xx	±0.15
Chr	M. GRAY	2009-05-21	0°	0.xxx	±
Appr	M. GRAY	2009-05-21	Product family	SFP+	Spec ref
FCI		SFP+ 20 POSITION		size	A2
STANDARD TYPE				Scale	1:1
catalog no				ECN	N10-0376
				RELEASE	
				10099099	Rev.
				B	
		CUSTOMER		sheet 2 of 3	

# TAPE-ON-REEL PACKAGING TYPE



UN-REELING DIRECTION OF FEED 



Copyright FCI. FCI

www.fciconnect.com		surface ASME Y14.5	tolerance std ASME Y14.5	projection ASME Y14.5	MM
TOLERANCES UNLESS OTHERWISE SPECIFIED					
Dr	S. MANI	2009-04-08	ANGULAR	0.x	±0.2
Eng	M. GRAY	2009-05-21	LINEAR	0.xx	±0.15
Chr	M. GRAY	2009-05-21	0° ±1"	0.xxx	±
Appr	M. GRAY	2009-05-21	Product family	SFP+	Spec ref
FCI		SPP+ 20 POSITION		10099099	Rev.
STANDARD TYPE		catalog no		CUSTOMER	sheet 3 of 3