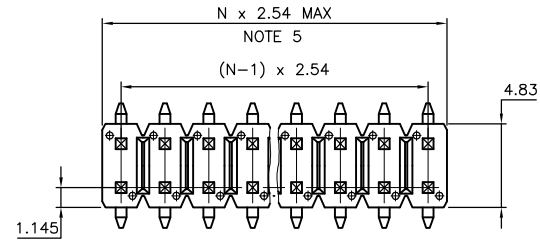


**RoHS COMPATIBLE PRODUCT NUMBER**  
54242-XXXXXXXXLF

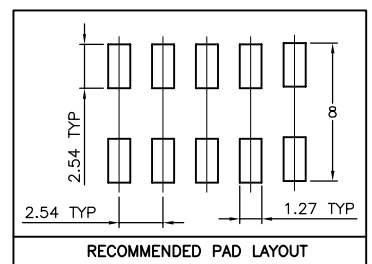
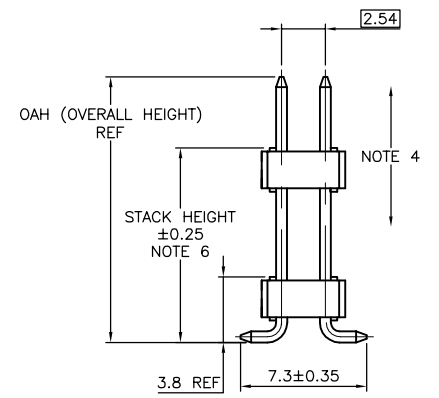
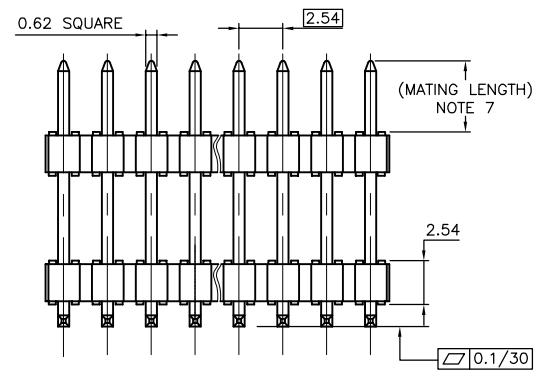
- PLATING**
- 1 = 0.76µm GOLD/GXT ON CONTACT AREA  
2µm MIN MATTE TIN ON TAIL  
OVER 1.27µm Ni MIN
  - 4 = 2µm MIN MATTE TIN  
OVER 1.27µm Ni MIN
  - 5 = 0.25µm GOLD/GXT ON CONTACT AREA  
2µm MIN MATTE TIN ON TAIL  
OVER 1.27µm Ni MIN
  - 8 = 0.38µm GOLD/GXT ON CONTACT AREA  
2µm MIN MATTE TIN ON TAIL  
OVER 1.27µm Ni MIN

- RoHS COMPATIBLE  
SEE NOTE 8
- STACK HEIGHT  
NOTE 6
- TOTAL NB OF POSITIONS  
04 TO 50



PIN STYLE	OAH
01	10.42
02	11.72
03	14.12
04	14.98
05	15.87
06	17.13
07	19.17
08	21.72
09	24.26
10	26.8
11	29.34
12	31.88
13	32.22
14	24.64
15	14.78
16	34.42
18	26.22
19	20.62
20	28.7
21	30.37
22	35.52
23	36.62
24	40.52
25	41.22
26	45.22
27	50.22
28	18.72

- NOTES:**
- HOUSING MAT'L : HIGH TEMPERATURE THERMOPLASTIC. UL94V-0 COLOR: BLACK
  - PIN MATERIAL : PHOSPHOR BRONZE
  - STANDARD PACKAGING IN POLYBAG
  - 9N MIN RETENTION IN EITHER DIRECTION
  - TO DETERMINE DIMENSIONS :  
N = NUMBER OF POSITIONS PER ROW  
EXAMPLE : 8 POS PER ROW, N x 2.54 = 20.32mm
  - XXXX = MILLIMETERS  
SPECIFY MILLIMETERS  
6.5mm MIN TO 26.0mm MAX AVAILABLE  
IN 0.5mm INCREMENT  
EXAMPLE FOR STACK HEIGHT: 1 2 5 0 = 12.5mm
  - MATING LENGTH = (OAH)-(STACK HEIGHT)
  - RoHS COMPATIBLE PRODUCT SPECIFICATIONS
    - a - PLATING:
      - "LF" MEANS THE PRODUCT IS LEAD-FREE, 2µm MINIMUM MATTE TIN OVER 1.27µm MINIMUM NICKEL UNDERPLATE.
    - b - MANUFACTURING PROCESS COMPATIBILITY
    - c - LABELLING:
      - MEETS PACKAGING SPECS AS PER GS-14-920
    - d - THIS PRODUCT MEETS EUROPEAN UNION DIRECTIVES AND OTHER COUNTRY REGULATIONS AS DESCRIBED IN GS-47-0004



mat'l. code SEE NOTES		surface ISO 1302	tolerance ISO 406 ISO 1101	projection mm	product family BERGSTIK
ltr	ecn no	dr	date	tolerances unless otherwise specified	title
H	B-17848	LMU	14.06.05	angles linear x.x ±0.3	UNSHR.HEADER STR DR SMT
J	B-18962	LMU	14.09.29	x.xx ±0.13	
K	B-19782	AMA	14.12.16	x.xxx ±0.05	scale 4:1
L	B-20301	BVE	15.02.23	dr D.LE 01.01.24	dwg no sheet 1 of 1 size
				engr JM.C 01.01.24	
F	F06-0196	LMU	06.06.13	chr JM.C 01.01.24	54242 A3
G	F08-0148	RTR	08.03.31	appd JF.N 01.01.24	
sheet index	revision sheet				type CUSTOMER Drawing