

Product/Process Change Notifications



PCN - 14 090 -R.1

Release Date: November 12 2014

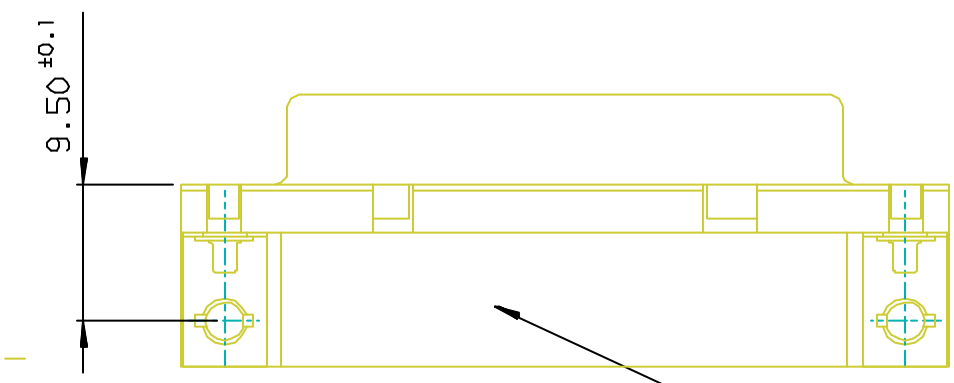
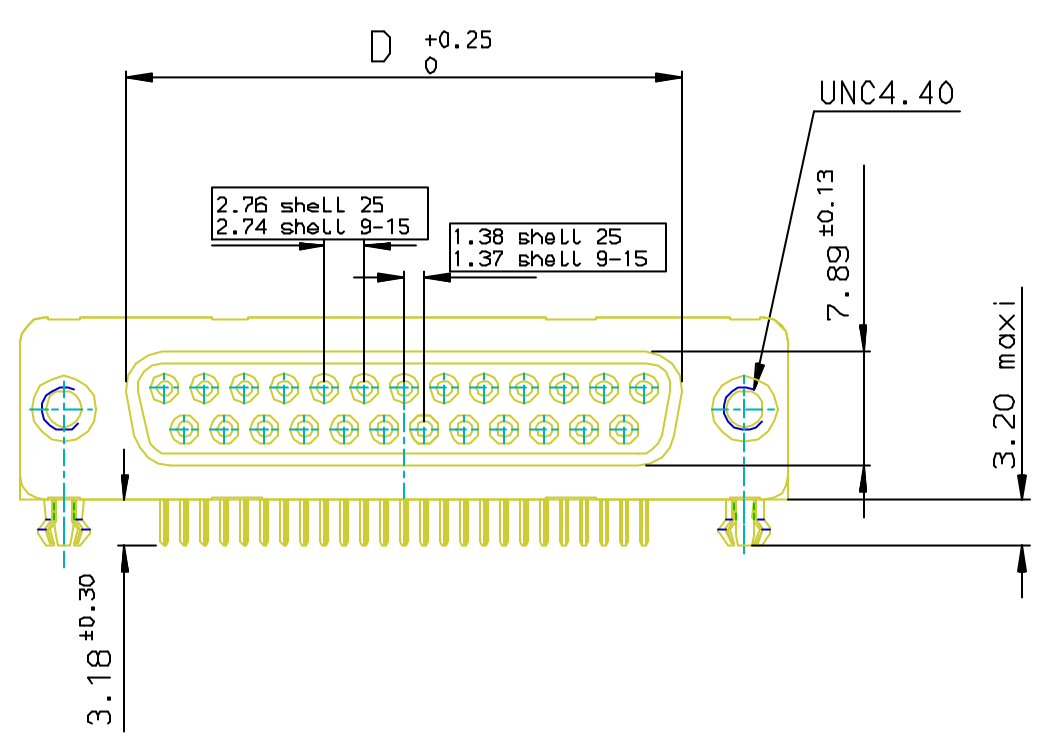
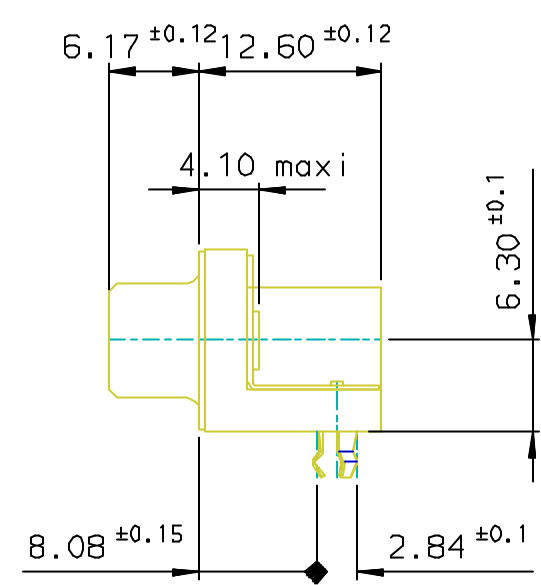
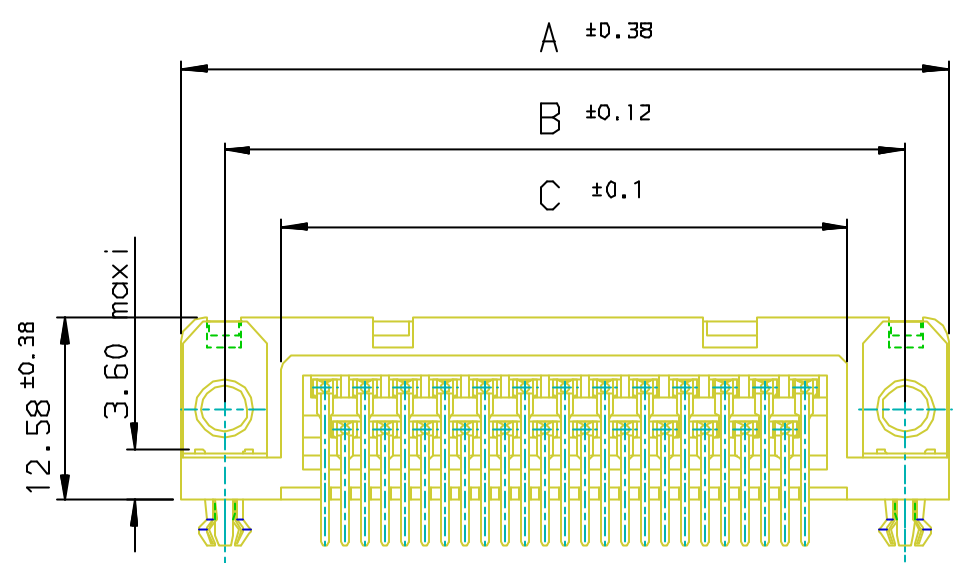
Product Name:	Delta-D		
	Straight and R/A solder versions		
Product Manager:	Vicy Pulayath		
Subject:	Notification of Change with Immediate Effectivity		
Distribution:	General		
Type of Change:	Documentation Change		
Change Description:	Removing the drawing duplications in Delta-D.		
Reason for Change:	<p>To standardize the Delta-D drawings. There is no change to the finished product and since change is only to remove the duplicated drawings, this is effective immediately.</p> <p>By R.1 - The effective year which was wrongly given as 2015 in the PCN pdf file as been corrected to 2014 inline with the immediate effectivity decision.</p>		
Affected Parts:	Attached list.		
Effective Date of Change:	November 15, 2014		
Last Time Buy Date:	NA		
Last Disty Return Date:	NA		
Last Time Shipment Date	NA		
Datasheet Attached?	Yes		
Qual/Test Data Attached?	NA		
Samples Availability Date:	NA	NA	NA
Available Alternatives?	N/A		
Questions?	<i>Contact your local FCI Representative, or Product Manager</i>		
	<i>Vicy Pulayath</i>		
	<i>Vicy.pulayah@fci.com</i>		

Note:

Customer shall intimate the product Manager any Concern regarding the PCN within 3 weeks of the release date.
 PCN is considered approved by the customer if no communication is received within 3 weeks

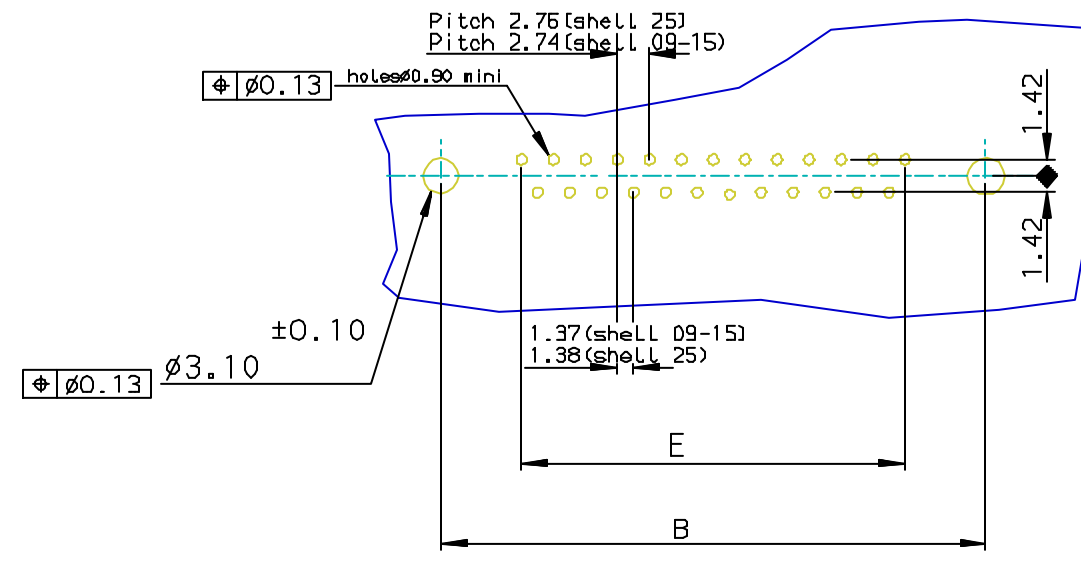
PCN	Item Number	Change	Effective Date	Last Time Buy Date	Last Disty return date	Replacement Part	Alternate Part	Comments
PCN14090	D09P33E4GI00LF	DOCUMENTATION CHANGE	15-Nov-14					
PCN14090	D09P33E4GV00LF	DOCUMENTATION CHANGE	15-Nov-14					
PCN14090	D09P33E6GV00	DOCUMENTATION CHANGE	15-Nov-14					
PCN14090	D09P33E6GV00LF	DOCUMENTATION CHANGE	15-Nov-14					
PCN14090	D09S13A4PA00	DOCUMENTATION CHANGE	15-Nov-14					
PCN14090	D09S13A4PA00LF	DOCUMENTATION CHANGE	15-Nov-14					
PCN14090	D09S13A6PA00LF	DOCUMENTATION CHANGE	15-Nov-14					
PCN14090	D09S24A4GX00LF	DOCUMENTATION CHANGE	15-Nov-14					
PCN14090	D09S24A6GX00LF	DOCUMENTATION CHANGE	15-Nov-14					
PCN14090	D09S33E4GV00	DOCUMENTATION CHANGE	15-Nov-14					
PCN14090	D09S33E4GV00LF	DOCUMENTATION CHANGE	15-Nov-14					
PCN14090	D09S33E4GX00	DOCUMENTATION CHANGE	15-Nov-14					
PCN14090	D09S33E4GX00LF	DOCUMENTATION CHANGE	15-Nov-14					
PCN14090	D09S33E6GI00LF	DOCUMENTATION CHANGE	15-Nov-14					
PCN14090	D09S33E6GV00	DOCUMENTATION CHANGE	15-Nov-14					
PCN14090	D09S33E6GV00LF	DOCUMENTATION CHANGE	15-Nov-14					
PCN14090	D09S33E6GX00LF	DOCUMENTATION CHANGE	15-Nov-14					
PCN14090	D15P33E4GV00	DOCUMENTATION CHANGE	15-Nov-14					
PCN14090	D15P33E4GV00LF	DOCUMENTATION CHANGE	15-Nov-14					
PCN14090	D15P33E6GI00LF	DOCUMENTATION CHANGE	15-Nov-14					
PCN14090	D15P33E6GV00LF	DOCUMENTATION CHANGE	15-Nov-14					
PCN14090	D15S13A4PA00LF	DOCUMENTATION CHANGE	15-Nov-14					
PCN14090	D15S13A6PA00LF	DOCUMENTATION CHANGE	15-Nov-14					
PCN14090	D15S24A4GX00LF	DOCUMENTATION CHANGE	15-Nov-14					
PCN14090	D15S24A6GX00LF	DOCUMENTATION CHANGE	15-Nov-14					
PCN14090	D15S33E4GI00	DOCUMENTATION CHANGE	15-Nov-14					
PCN14090	D15S33E4GI00LF	DOCUMENTATION CHANGE	15-Nov-14					
PCN14090	D15S33E4GV00	DOCUMENTATION CHANGE	15-Nov-14					
PCN14090	D15S33E4GV00LF	DOCUMENTATION CHANGE	15-Nov-14					
PCN14090	D15S33E4GX00	DOCUMENTATION CHANGE	15-Nov-14					
PCN14090	D15S33E4GX00LF	DOCUMENTATION CHANGE	15-Nov-14					
PCN14090	D15S33E6GV00	DOCUMENTATION CHANGE	15-Nov-14					
PCN14090	D15S33E6GV00LF	DOCUMENTATION CHANGE	15-Nov-14					
PCN14090	D15S33E6GX00	DOCUMENTATION CHANGE	15-Nov-14					
PCN14090	D15S33E6GX00LF	DOCUMENTATION CHANGE	15-Nov-14					
PCN14090	D25P33E4GV00	DOCUMENTATION CHANGE	15-Nov-14					
PCN14090	D25P33E4GV00LF	DOCUMENTATION CHANGE	15-Nov-14					
PCN14090	D25P33E6GV00LF	DOCUMENTATION CHANGE	15-Nov-14					
PCN14090	D25S13A4PA00	DOCUMENTATION CHANGE	15-Nov-14					
PCN14090	D25S13A4PA00LF	DOCUMENTATION CHANGE	15-Nov-14					
PCN14090	D25S13A6PA00LF	DOCUMENTATION CHANGE	15-Nov-14					
PCN14090	D25S24A4GX00LF	DOCUMENTATION CHANGE	15-Nov-14					
PCN14090	D25S24A6GX00LF	DOCUMENTATION CHANGE	15-Nov-14					
PCN14090	D25S33E4GV00	DOCUMENTATION CHANGE	15-Nov-14					
PCN14090	D25S33E4GV00LF	DOCUMENTATION CHANGE	15-Nov-14					
PCN14090	D25S33E4GX00LF	DOCUMENTATION CHANGE	15-Nov-14					
PCN14090	D25S33E6GV00	DOCUMENTATION CHANGE	15-Nov-14					
PCN14090	D25S33E6GV00LF	DOCUMENTATION CHANGE	15-Nov-14					

PCN14090	D25S33E6GX00LF	DOCUMENTATION CHANGE	15-Nov-14					
PCN14090	D37P33E4GV00LF	DOCUMENTATION CHANGE	15-Nov-14					
PCN14090	D37P33E6GV00LF	DOCUMENTATION CHANGE	15-Nov-14					
PCN14090	D37S13A4PA00LF	DOCUMENTATION CHANGE	15-Nov-14					
PCN14090	D37S24A4GX00LF	DOCUMENTATION CHANGE	15-Nov-14					
PCN14090	D37S24A6GX00LF	DOCUMENTATION CHANGE	15-Nov-14					
PCN14090	D37S33E4GV00	DOCUMENTATION CHANGE	15-Nov-14					
PCN14090	D37S33E4GV00LF	DOCUMENTATION CHANGE	15-Nov-14					
PCN14090	D37S33E4GX00	DOCUMENTATION CHANGE	15-Nov-14					
PCN14090	D37S33E4GX00LF	DOCUMENTATION CHANGE	15-Nov-14					
PCN14090	D37S33E6GV00	DOCUMENTATION CHANGE	15-Nov-14					
PCN14090	D37S33E6GV00LF	DOCUMENTATION CHANGE	15-Nov-14					
PCN14090	D37S33E6GX00LF	DOCUMENTATION CHANGE	15-Nov-14					



Part Number & Date Code Printing

PC card drilling dimensions (after plating)
(thickness 1.60 ± 0.20 mm)



Pull parts						
SHELL	A ±0.38	B ±0.12	C ±0.10	D ±0.25	E ±0.07	PART NUMBER
09	30.81	24.99	16.96	16.21	10.96	D09S33E4GX00**
15	39.14	33.32	25.18	24.54	19.18	D15S33E4GX00**
25	53.03	47.04	39.12	38.25	33.12	D25S33E4GX00**

GENERAL CHARACTERISTICS : SEE DRAWING C01-8646-0000

LF FOR LEAD FREE



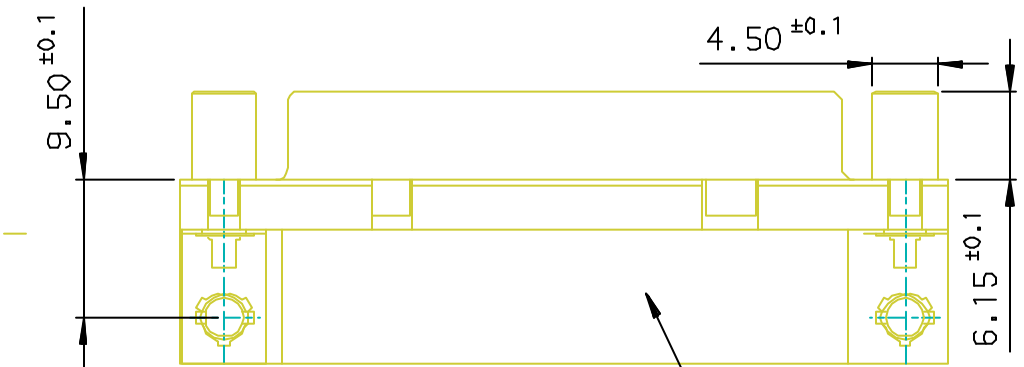
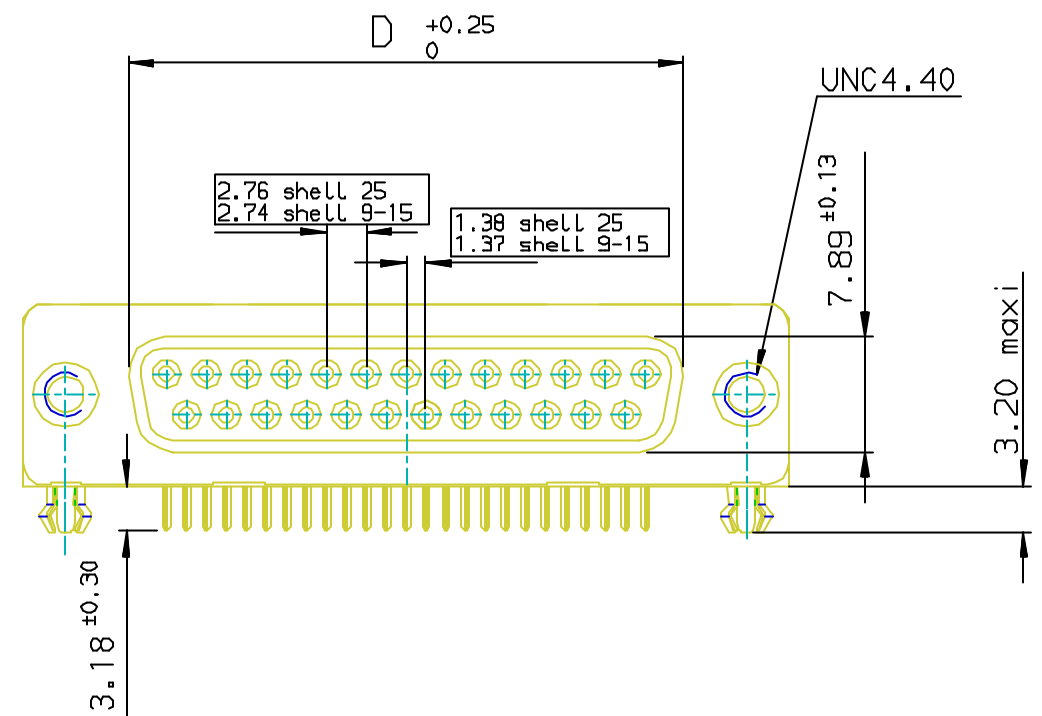
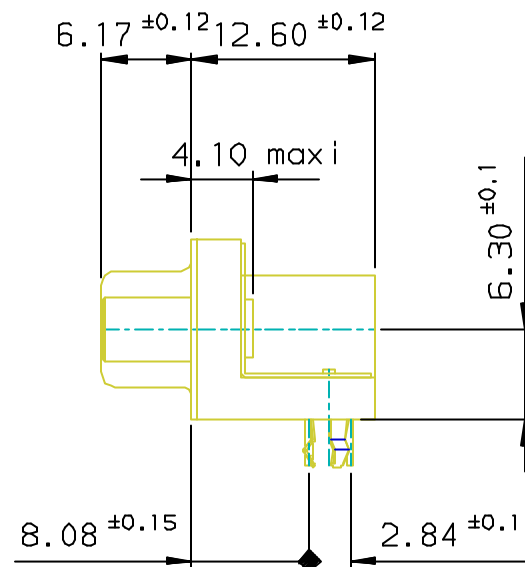
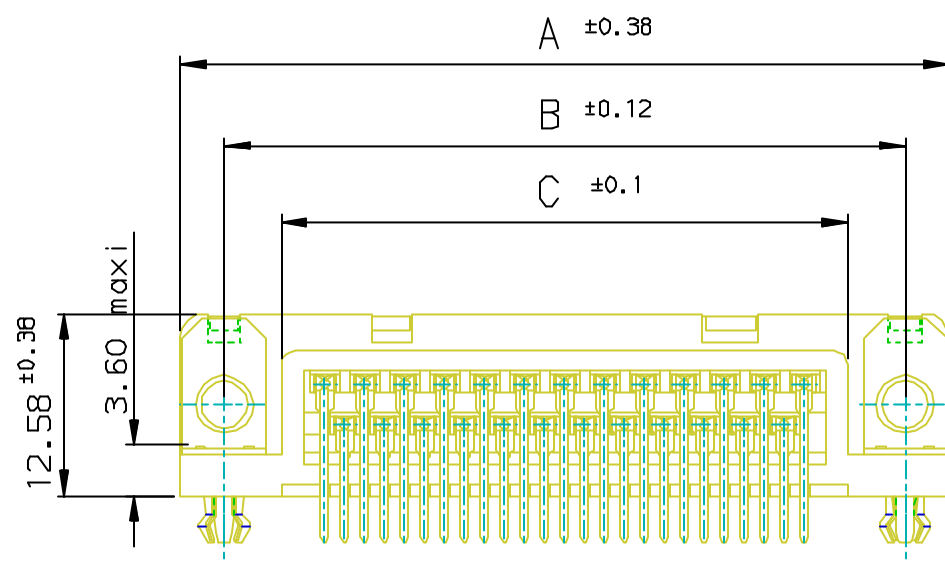
Copyright FCI.

European Views

rev	ech no	dr	date
E	105-0124	JS	2005/07/27
F	106-0074	SK	2006/06/08
-	-	-	-
-	-	-	-
-	-	-	-
-	-	-	-

www.fciconnect.com		surface ISO 1302 ✓	tolerance std ISO 406 ISO 1101	projection mm
TOLERANCES UNLESS OTHERWISE SPECIFIED				
Dr	JOHN SLEEBA	1994/10/14	ANGULAR	0.X ±0.1
Eng	GEORGE VJ	1994/10/14	LINEAR	0.XX ±0.1
Chr	GEORGE VJ	2005/07/27	0.XX* ±1*	0.XXX ±0.1
Appr	KVSD	2005/07/27	Product family	D-SUB
title SOCKET CONNECT.DELTA D RIGHT ANGLE WITH NUT, HARPOON AND METAL PLATE				size A3
catalog no DELTA-D				Scale 1:1
Rev.				ECN -
no C-8646-00146-2				Spec ref -
CUSTOMER				sheet 1 of 1

REV F - 2006-04-17



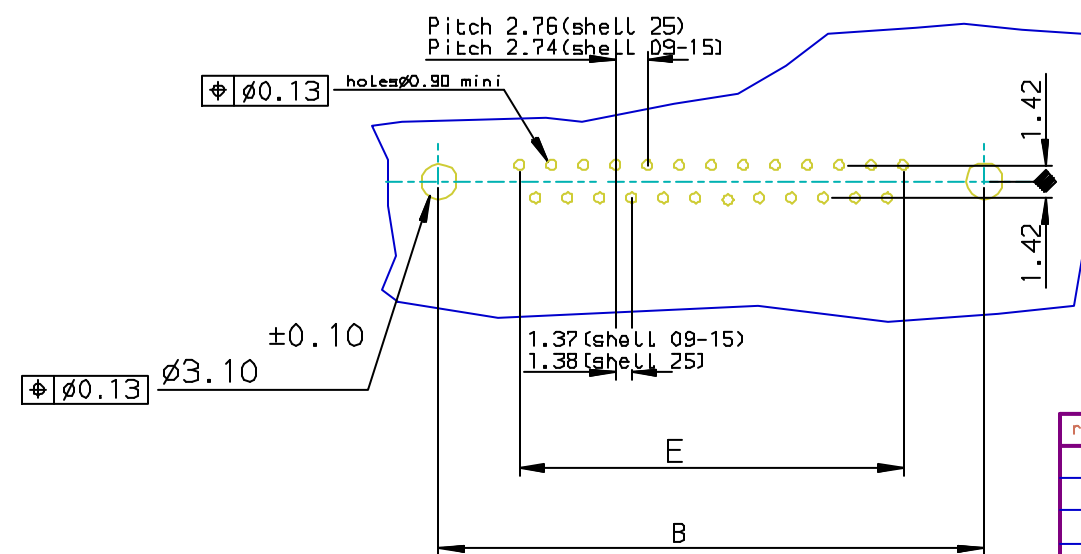
Part Number & Date Code Printing

PC card drilling dimensions (after plating)
(thickness 1.60±0.20mm)

Pull Parts						PART NUMBER
SHELL	A±0.38	B±0.12	C±0.10	D±0.25	E±0.07	Gold flash
09	30.81	24.99	16.96	16.21	10.96	D09S33E4GV00**
15	39.14	33.32	25.18	24.54	19.18	D15S33E4GV00**
25	53.03	47.04	39.12	38.25	33.12	D25S33E4GV00**

GENERAL CHARACTERISTICS, SEE DRAWING C01-8646-0000

LF FOR LEAD FREE



rev	ecn no	dr	date
E	105-0124	JS	2005/07/27
F	106-0074	SK	2006/06/08
-	-	-	-
-	-	-	-
-	-	-	-
-	-	-	-

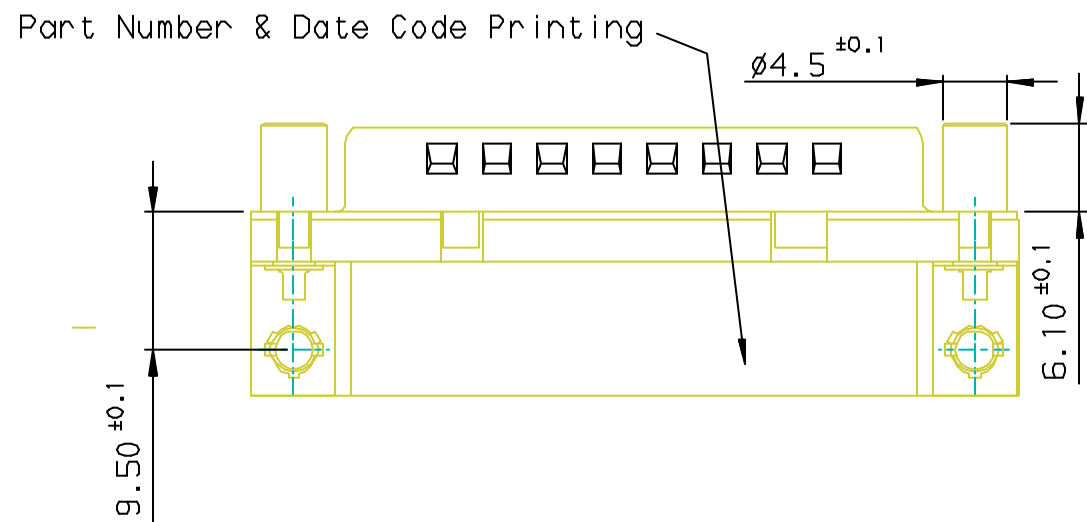
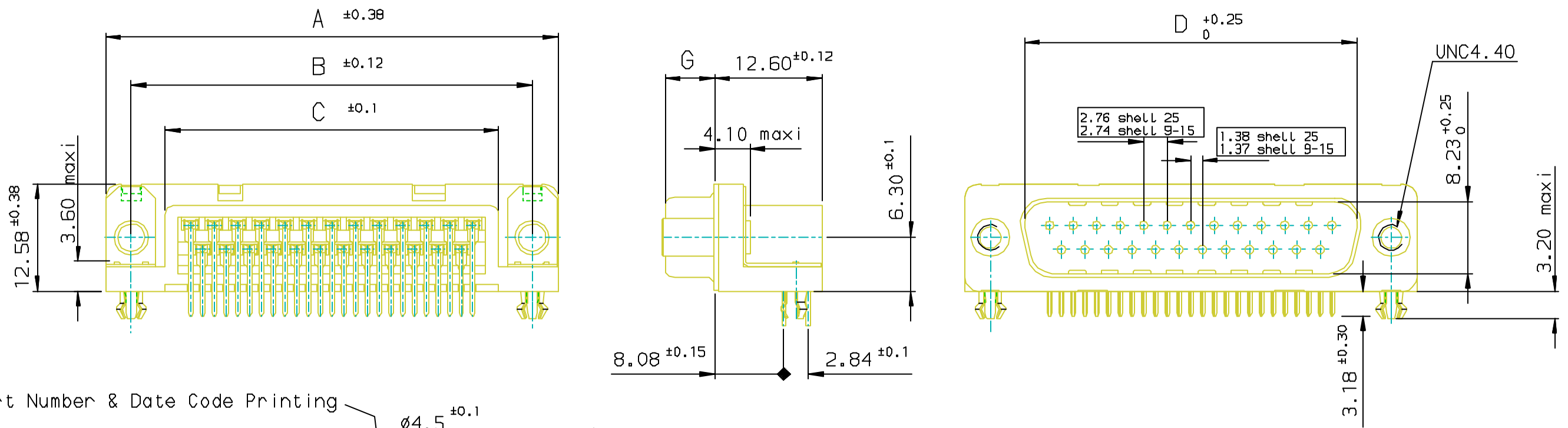
www.fciconnect.com		surface ISO 1302 ✓	tolerance std ISO 406 ISO 1101	projection mm
TOLERANCES UNLESS OTHERWISE SPECIFIED				
Dr	JOHN SLEEBA	1993/04/07	ANGULAR	0.X ±0.1
Eng	GEORGE VJ	1993/04/07	LINEAR	0.XX ±0.1
Chr	GEORGE VJ	2005/07/27	0.XX* ±1*	0.XXX ±0.1
Appr	KVSD	2005/07/27	Product family	D-SUB Spec ref -
FCI		title SOCKET CONNECT.DELTA D right angle screwlock, harpoon & metal plate		Rev. F
catalog no		DELTA-D		sheet 1 of 1
drawing no		C-8646-0147-2		CUSTOMER

European Views

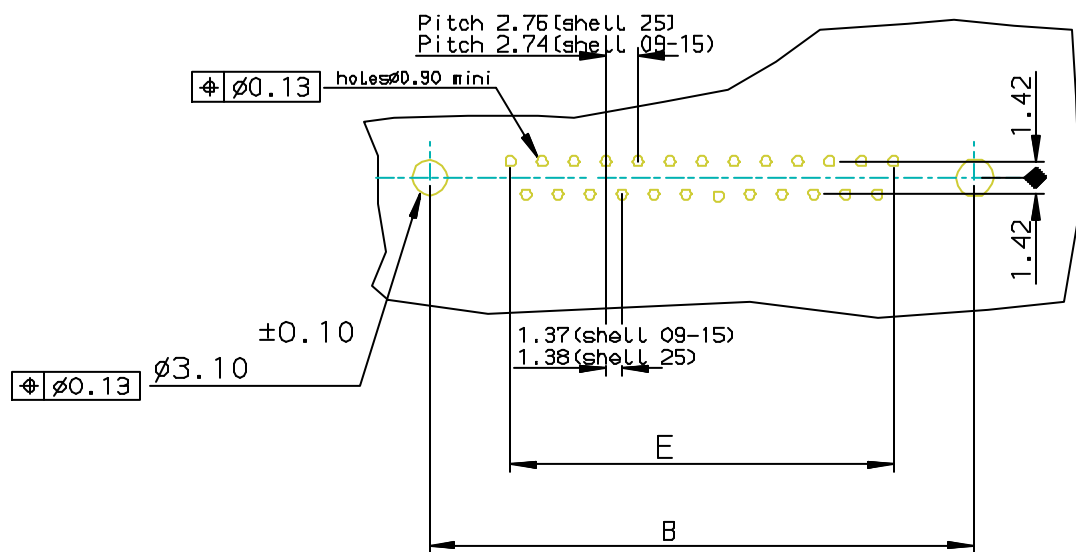


Copyright FCI.

REV F - 2006-04-17



PC card drilling dimensions (after plating)
(thickness 1.60 ± 0.20mm)



Pull Parts							
SHELL	A±0.38	B±0.12	C±0.10	D±0.25	E±0.07	G±0.25	PART NUMBER
09	30.81	24.99	16.96	16.79	10.96	5.90	D09P33E4GV00**
15	39.14	33.32	25.18	25.12	19.18	5.90	D15P33E4GV00**
25	53.03	47.04	39.12	38.84	33.12	5.70	D25P33E4GV00**

GENERAL CHARACTERISTICS : SEE DRAWING C01-8646-0000

LF FOR LEAD FREE



Copyright FCI.

European Views

rev	ecn no	dr	date
D	105-0124	JS	2005/07/27
E	106-0074	SK	2006/06/08
-	-	-	-
-	-	-	-
-	-	-	-
-	-	-	-

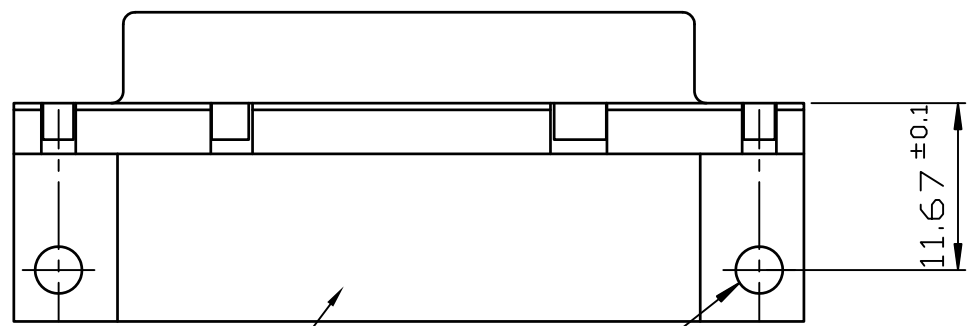
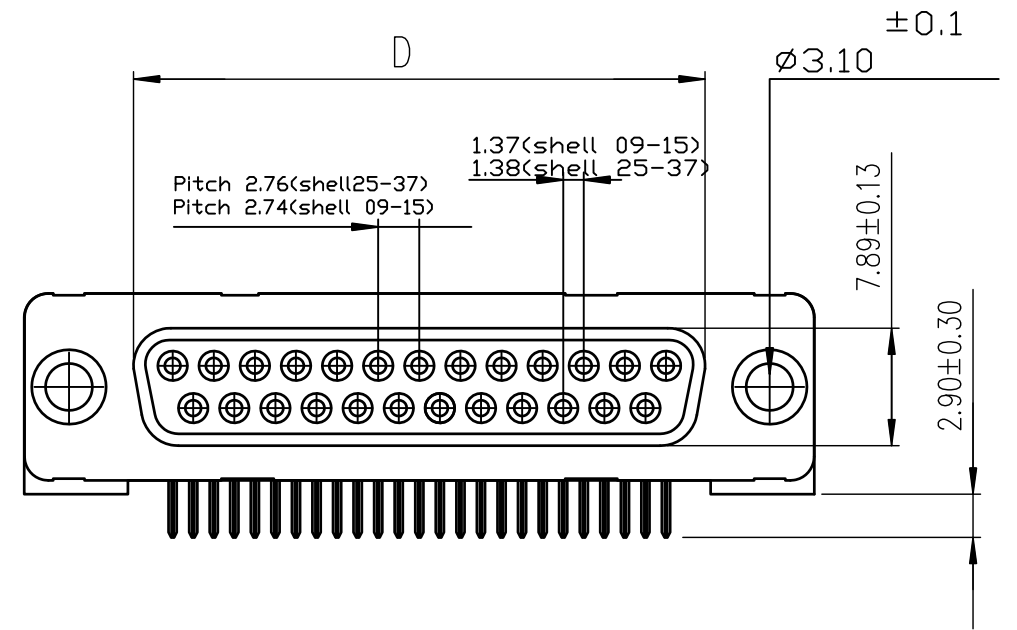
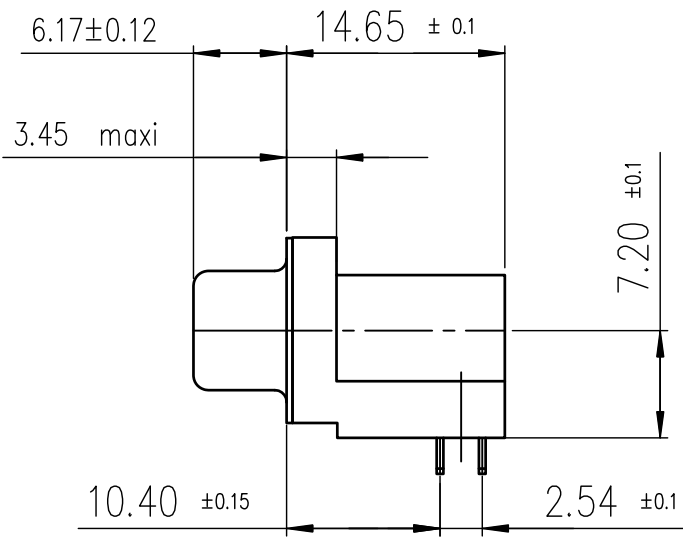
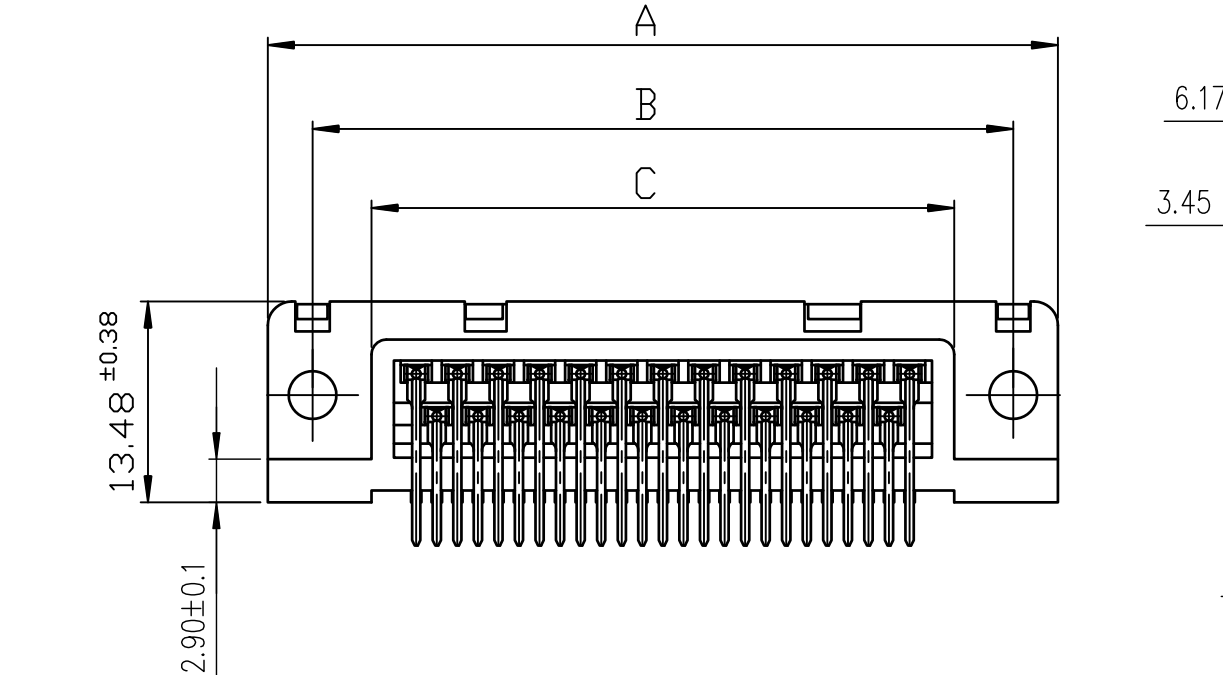
www.fciconnect.com		surface ISO 1302 ✓	tolerance std ISO 406 ISO 1101	projection mm
TOLERANCES UNLESS OTHERWISE SPECIFIED				
Dr	JOHN SLEEBA	1993/04/07	ANGULAR	0.X ±0.1
Eng	GEORGE VJ	1993/04/07	LINEAR	0.XX ±0.1
Chr	GEORGE VJ	2005/07/27	0.XX* ±1*	0.XXX ±0.1
Appr	KVSD	2005/07/27	Product family	D-SUB
title MALE CONNECT.DELTA D right angle screwlock, harpoon & metal plate			size A3	Scale 1:1
catalog no DELTA-D			ECN -	Spec ref -
FCI			dwg no C01-8646-0151	Rev. E
			CUSTOMER	sheet 1 of 1

REV F - 2006-04-17



FCIconnect.com

Copyright FCI



Part Number & Date Code Printing

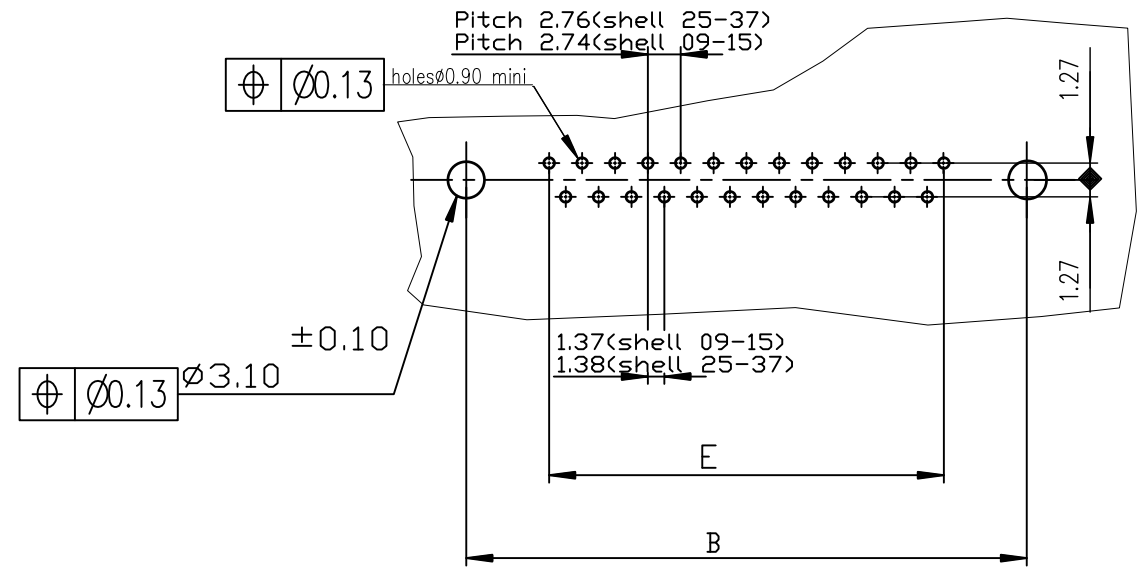
±0.10
Ø3.10

LF FOR LEAD FREE

Pull Parts						
SHELL	A±0.38	B±0.12	C±0.10	D±0.25	E±0.07	PART NUMBER
09	30.81	24.99	16.96	16.21	10.96	D09S13A*PA00**
15	39.14	33.32	25.18	24.54	19.18	D15S13A*PA00**
25	53.03	47.04	39.12	38.25	33.12	D25S13A*PA00**
37	69.32	63.50	55.68	54.71	49.68	D37S13A*PA00**

4-200 Mating Cycles
6-500 Mating Cycles

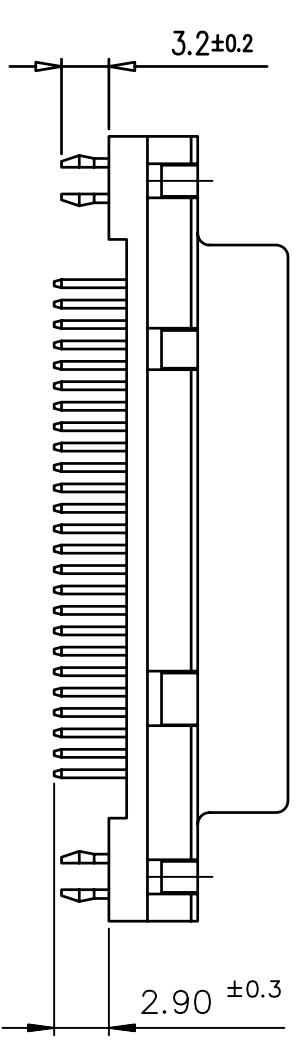
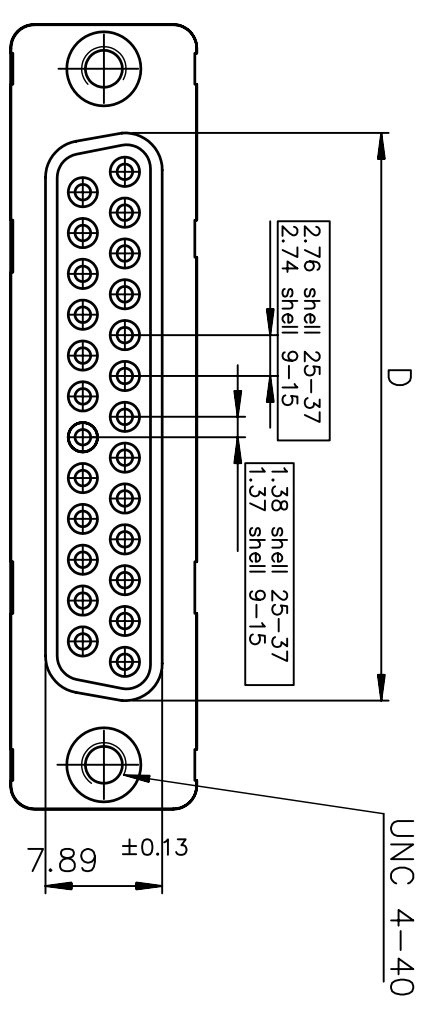
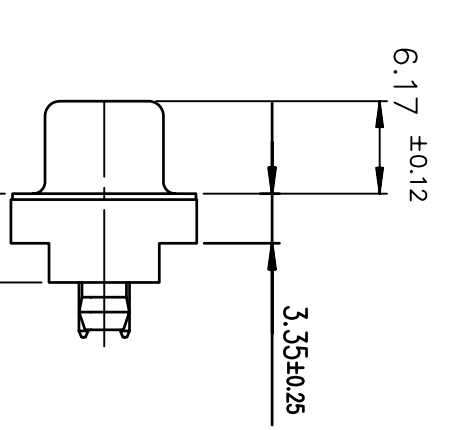
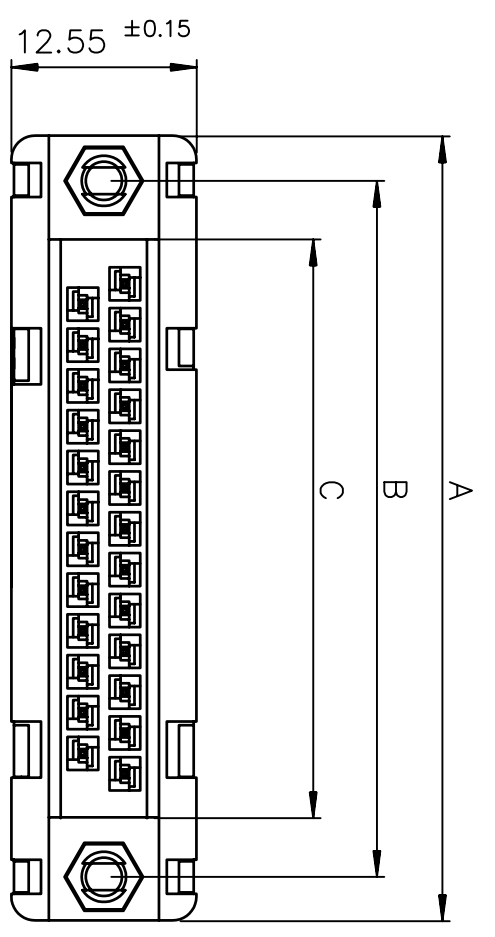
PC card drilling dimensions(after plating)
(thickness 1.60±0.20mm)



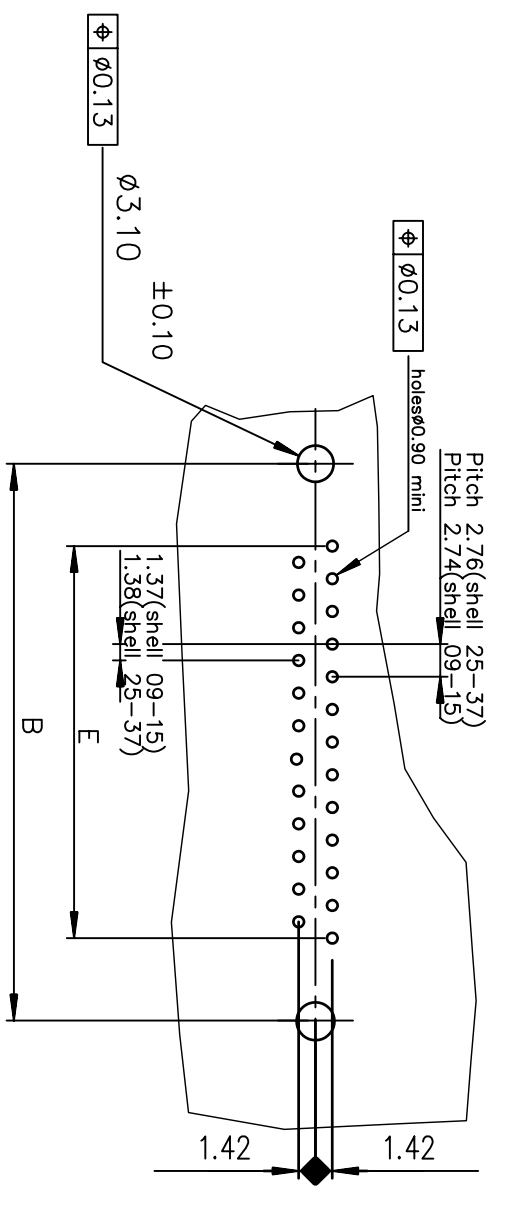
GENERAL CHARACTERISTICS : SEE DRAWING C01-8646-0000

FOR ROHS DETAILS REFER DWG.NO: C01-8646-0000

mat'l. code SEE.NOTES				surface ISO 1302 ✓		tolerance ISO 406 ISO 1101 tolerances unless otherwise specified		projection MM		product family D-SUB	
ltr	ecn no	dr	date	angles	linear	O.X ±0.1		scale 1:1		title SOCKET CONNECT.DELTA D RIGHT ANGLE SPILL WITHOUT ACCESSORIES	
E	05-0124	JS	2005/07/27			O.XX ±0.1					
F	06-0074	SK	2006/06/08	X±1°		O.XXX±0.1		dwg no C01-8646-0304		sheet 1 of 1	
G	ELXI-I-15060	AB	2013/06/25	dr		JOHN.SLEEBA	1994/08/16	FCI		size A3	
				engr		ALIAS.BABU	2013/06/25	type CUSTOMER Drawing			
				chr		MITHUN.PAUL	2013/06/25				
				appd		BIJU.K.PAUL	2013/06/25				
sheet index	revision sheet	G	1								



PC card drilling dimensions(after plating)
(thickness 1.60±0.20mm)



TIN LEAD PART NUMBER

SHELL	A±0.38	B±0.12	C±0.10	D±0.25	E±0.07	PART NUMBER
09	30.81	24.99	16.96	16.21	10.96	D09S24A.GX00
15	39.14	33.32	25.18	24.54	19.18	D15S24A.GX00
25	53.03	47.04	39.12	38.25	33.12	D25S24A.GX00
37	69.32	63.50	55.68	54.71	49.68	D37S24A.GX00

Plating: 4 --> flash AU
Plating: 6 --> 0.76µ AU

LEAD FREE PART NUMBER

SHELL	A±0.38	B±0.12	C±0.10	D±0.25	E±0.07	PART NUMBER
09	30.81	24.99	16.96	16.21	10.96	D09S24A.GX00LF
15	39.14	33.32	25.18	24.54	19.18	D15S24A.GX00LF
25	53.03	47.04	39.12	38.25	33.12	D25S24A.GX00LF
37	69.32	63.50	55.68	54.71	49.68	D37S24A.GX00LF

Plating: 4 --> flash AU
Plating: 6 --> 0.76µ AU

rev	ecn no	dr	date
B	-	JAR	1999/10/18
D	LS05-001	MPE	2005/03/14
E	LS05-0056	MPE	2005/06/28
F	LS06-0019	LGO	2006/02/07
G	LS06-0097	LGO	2006/07/28
H	110-0059	NG	2010-02-23

GENERAL CHARACTERISTICS AND ROHS INFORMATIONS:
SEE DRAWING C01-8646-0000

www.fciconnect.com

Dr JOURBERT 1996/09/10
Eng PESSON 1996/09/10
Chr NIRMAL GEORGE 2010-02-23
Appr SUDHIR VARMA 2010-02-23

surface	tolerance std	projection	European Views
ISO 1302	ISO 406 ISO 1101	mm	mm
ANGULAR	0.X	A3	Scale 2
LINEAR	0.XX	ECN	110-0059
Product family		Spec ref	-

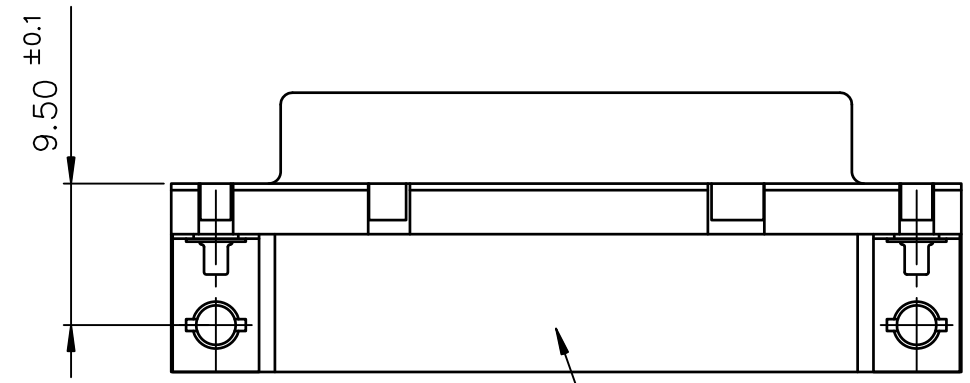
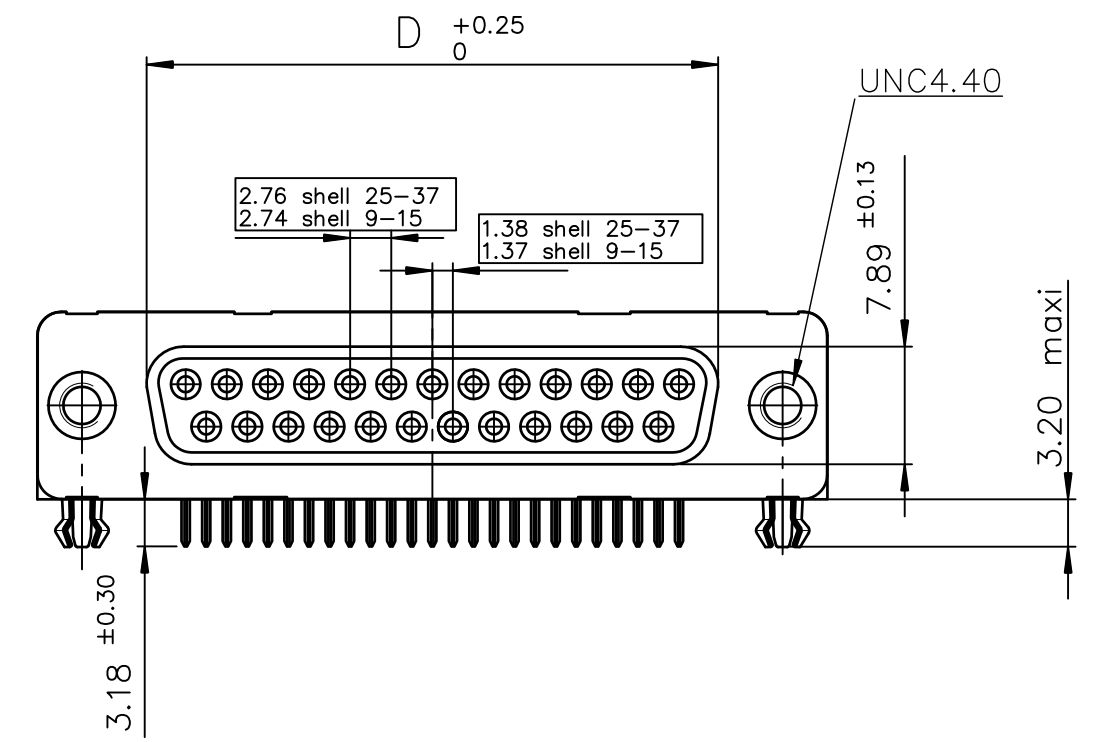
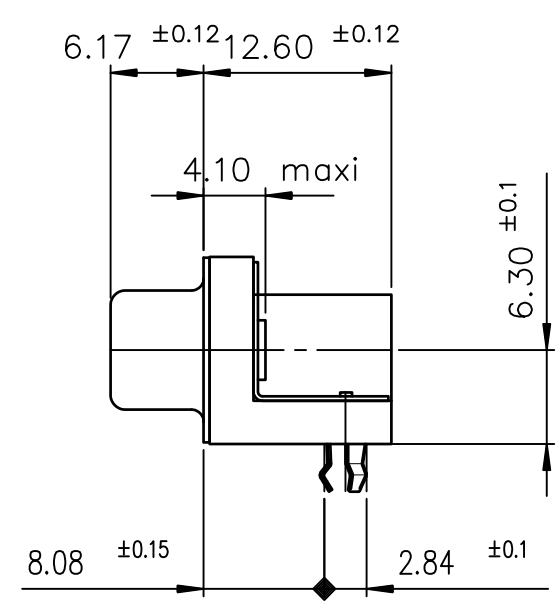
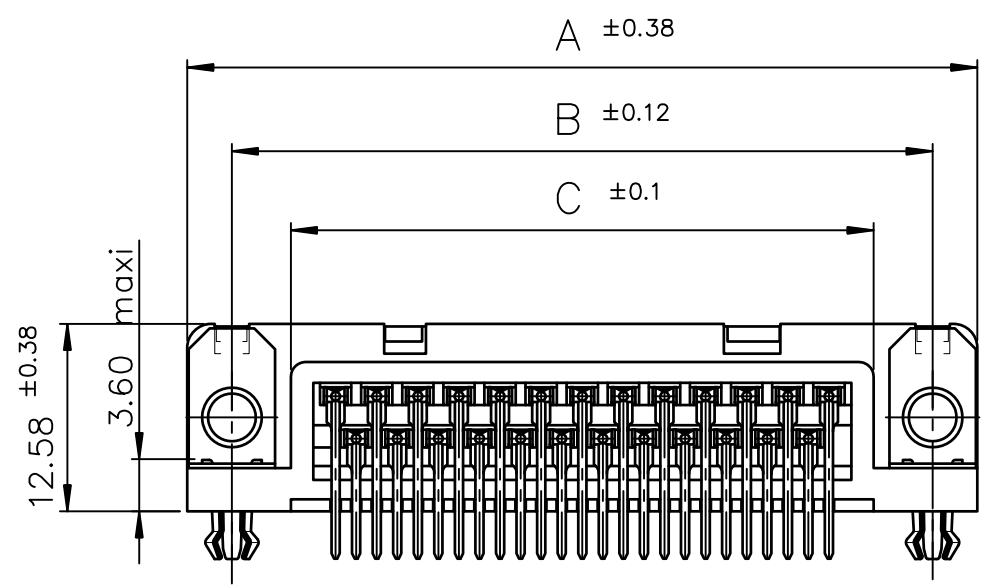
Product family: D-SUB

Product family: FEMALE CONNECTOR STD EURO

straight solder type for

CUSTOMER: C01-8646-0495

sheet 1 of 1

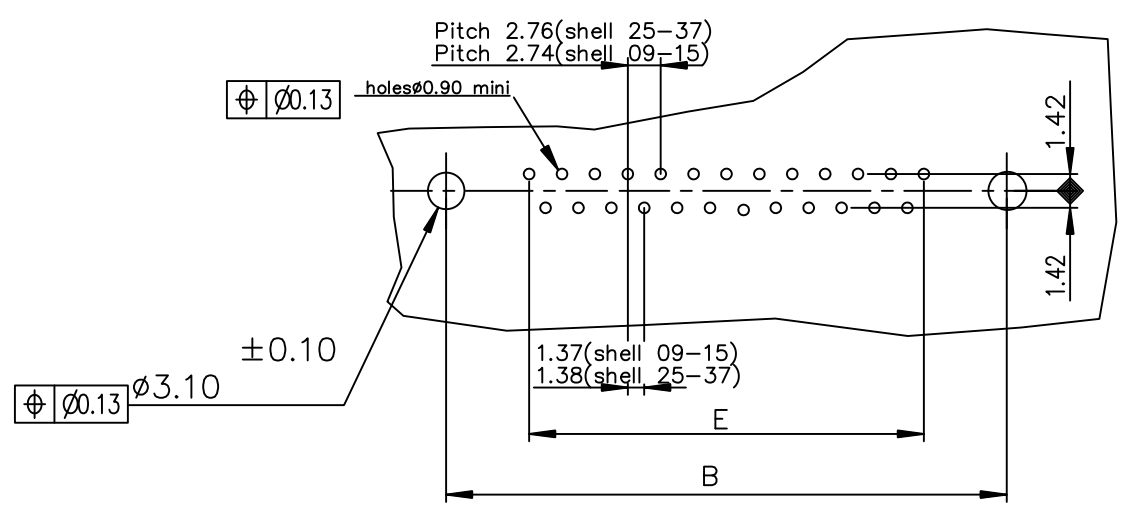


PART NUMBER

SHELL	A±0.38	B±0.12	C±0.10	D±0.25	E±0.07	200 Mating cycles	500 Mating cycles
09	30.81	24.99	16.96	16.21	10.96	D09S33E4GX00**	D09S33E6GX00**
15	39.14	33.32	25.18	24.54	19.18	D15S33E4GX00**	D15S33E6GX00**
25	53.03	47.04	39.12	38.25	33.12	D25S33E4GX00**	D25S33E6GX00**
37	69.32	63.50	55.68	54.71	49.68	D37S33E4GX00**	D37S33E6GX00**

LF FOR LEAD FREE

PC card drilling dimensions(after plating)
(thickness 1.60±0.20mm)



GENERAL CHARACTERISTICS : SEE DRAWING C01-8646-0000

mat'l. code				surface ISO 1302 ✓		tolerance ISO 406 ISO 1101		projection		product family D-SUB	
-				tolerances unless otherwise specified				MM		title	
D ELX-I-19243 AB 2014-10-29				angles linear		.0±.01		scale 2:1		SOCKET CONNECT. DELTA-D R/A WITH NUT, HARPOON & METAL PLATE	
				0°±2'		.00±0.1				dwg no	
						.000±0.1				sheet 1 of 1 size	
				dr JOHN SLEEBA 1994-10-14						C01-8646-0823 A3	
				enr ALIAS BABU 2014-10-29						type Product Customer Drawing	
				chr MITHUN PAUL 2014-10-29							
				app BIJU K PAUL 2014-10-29							
sheet index		revision sheet		D 1							

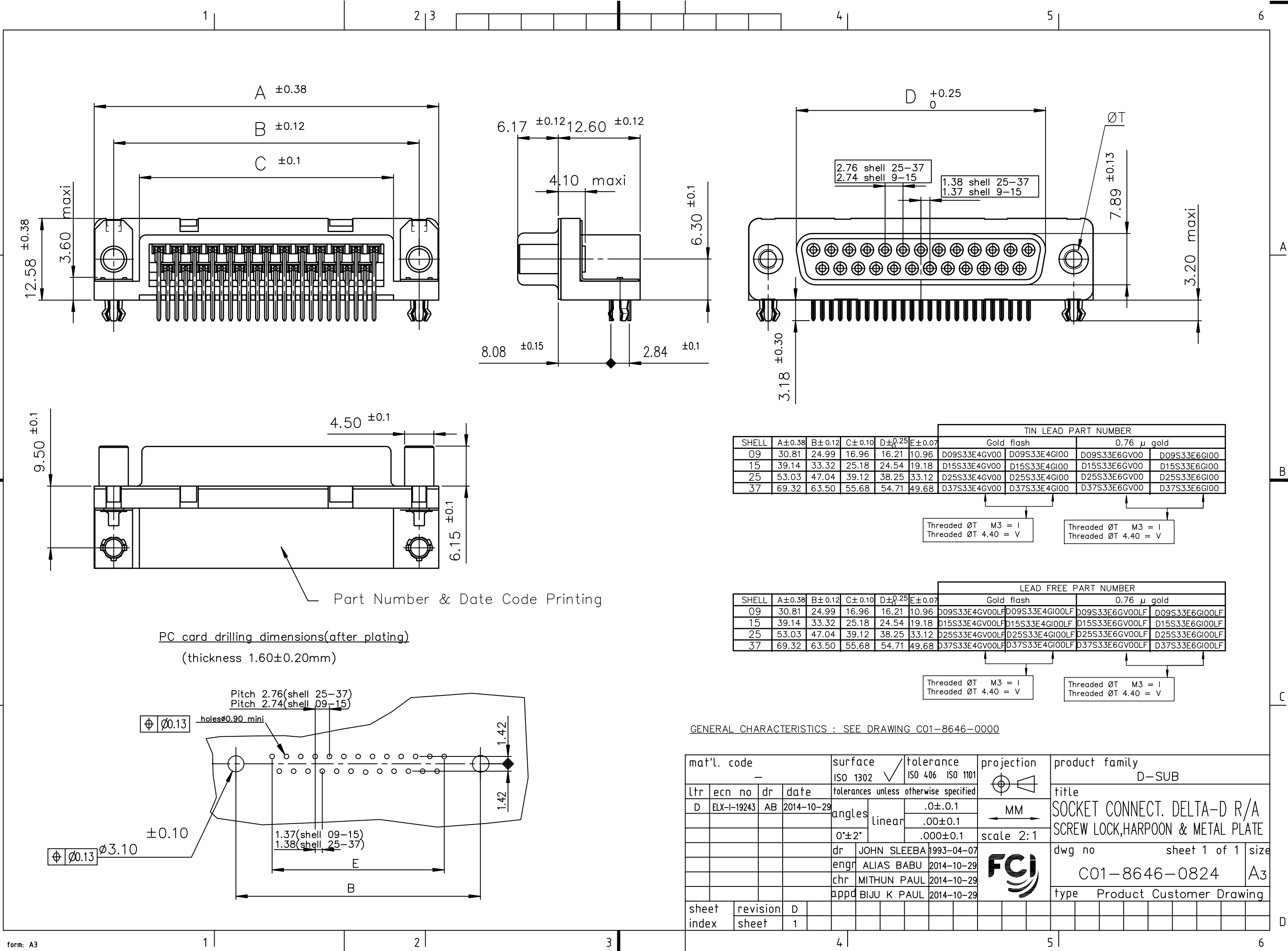


Copyright FCI



FCIconnect.com

Copyright FCI



TIN LEAD PART NUMBER									
SHELL	A±0.38	B±0.12	C±0.10	D±0.25	E±0.07	Gold flash		0.76 µ gold	
09	30.81	24.99	16.96	16.21	10.96	D09S33E4GV00	D09S33E4GI00	D09S33E6GV00	D09S33E6GI00
15	39.14	33.32	25.18	24.54	19.18	D15S33E4GV00	D15S33E4GI00	D15S33E6GV00	D15S33E6GI00
25	53.03	47.04	39.12	38.25	33.12	D25S33E4GV00	D25S33E4GI00	D25S33E6GV00	D25S33E6GI00
37	69.32	63.50	55.68	54.71	49.68	D37S33E4GV00	D37S33E4GI00	D37S33E6GV00	D37S33E6GI00

Threaded ØT M3 = I
Threaded ØT 4.40 = V

LEAD FREE PART NUMBER									
SHELL	A±0.38	B±0.12	C±0.10	D±0.25	E±0.07	Gold flash		0.76 µ gold	
09	30.81	24.99	16.96	16.21	10.96	D09S33E4GV00LF	D09S33E4GI00LF	D09S33E6GV00LF	D09S33E6GI00LF
15	39.14	33.32	25.18	24.54	19.18	D15S33E4GV00LF	D15S33E4GI00LF	D15S33E6GV00LF	D15S33E6GI00LF
25	53.03	47.04	39.12	38.25	33.12	D25S33E4GV00LF	D25S33E4GI00LF	D25S33E6GV00LF	D25S33E6GI00LF
37	69.32	63.50	55.68	54.71	49.68	D37S33E4GV00LF	D37S33E4GI00LF	D37S33E6GV00LF	D37S33E6GI00LF

Threaded ØT M3 = I
Threaded ØT 4.40 = V

GENERAL CHARACTERISTICS : SEE DRAWING C01-8646-0000

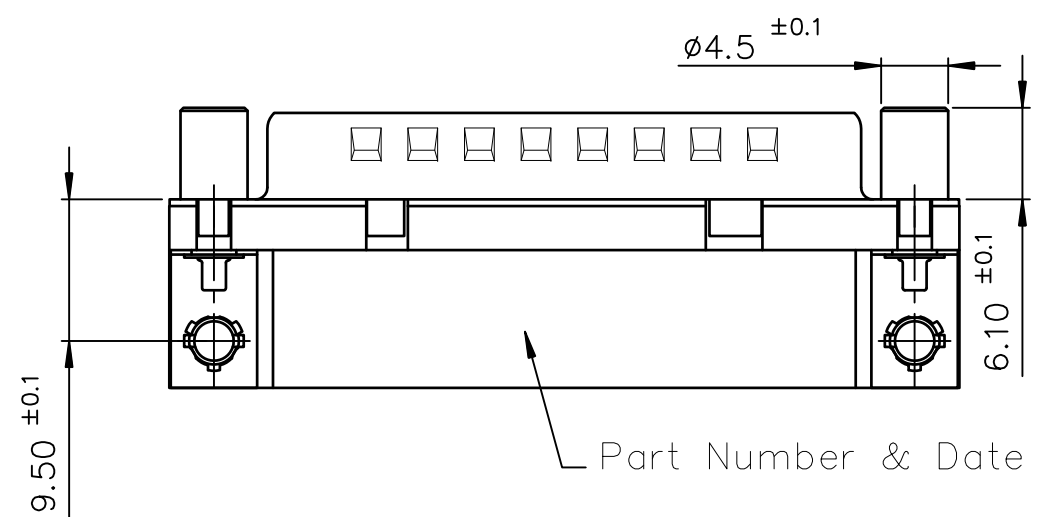
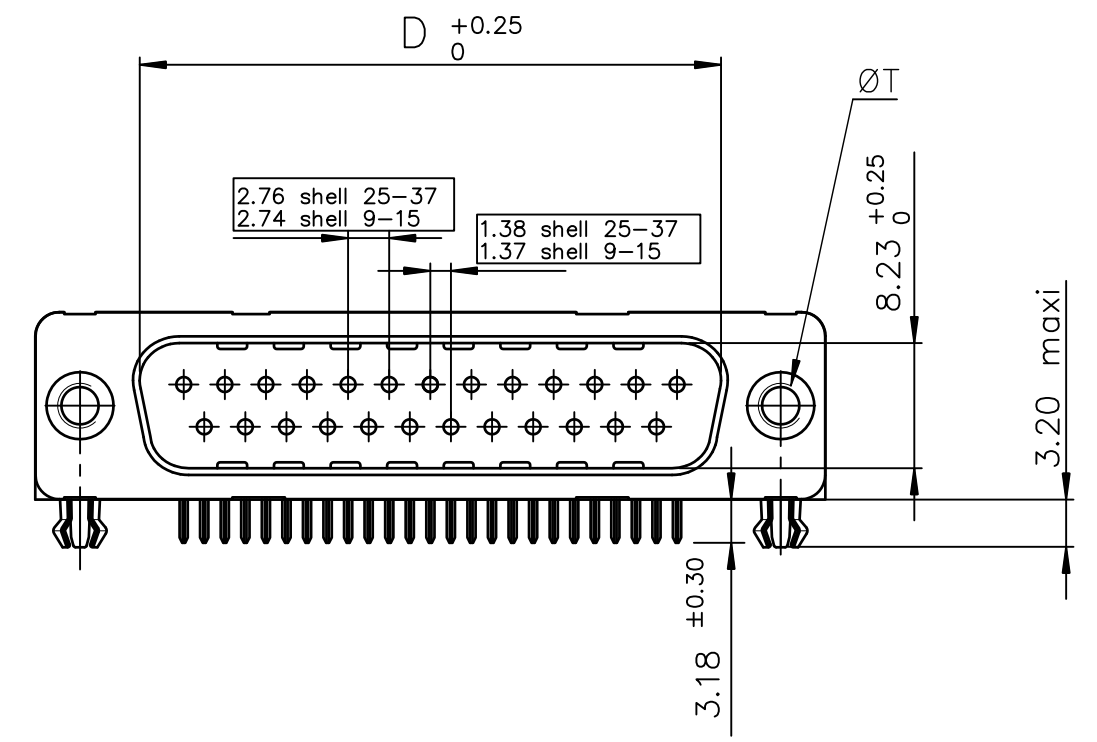
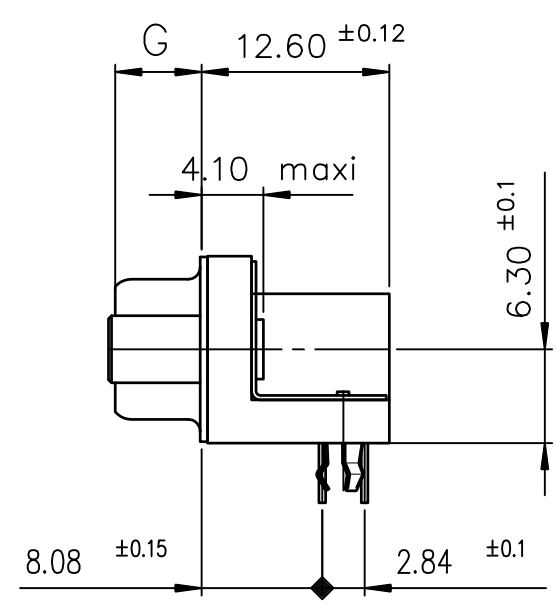
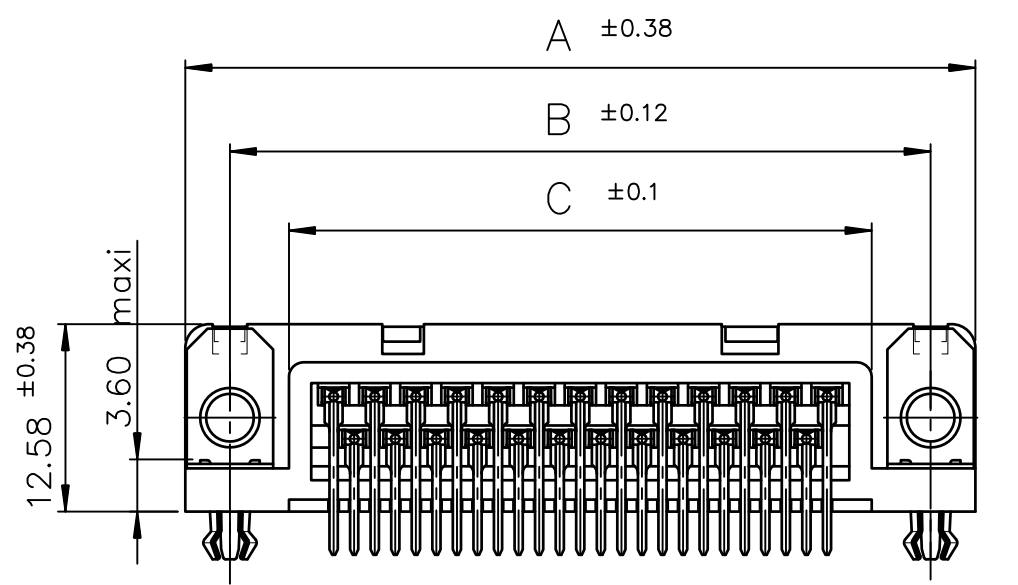
mat'l. code		surface		tolerance		projection		product family	
-		ISO 1302 ✓		ISO 406 ISO 1101				D-SUB	
ltr		ecn no		dr		date		title	
D		ELX-I-19243		AB		2014-10-29		SOCKET CONNECT. DELTA-D R/A SCREW LOCK, HARPOON & METAL PLATE	
								dwg no	
								sheet 1 of 1	
								size	
								A3	
								type	
								Product Customer Drawing	
sheet index		revision		D					
1		sheet		1					



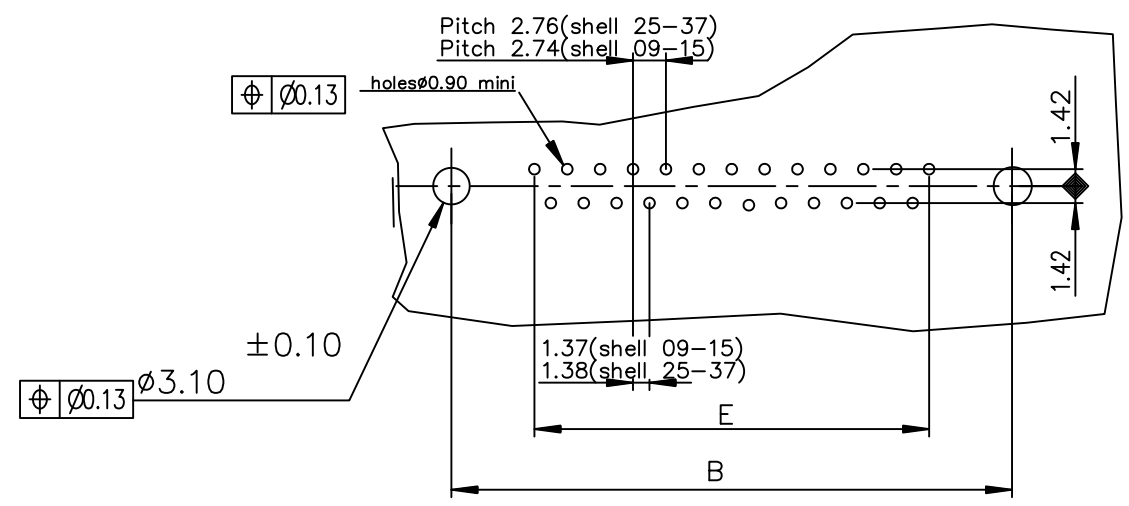
FCIconnect.com

Copyright FCI

form: A3



PC card drilling dimensions(after plating)
(thickness 1.60±0.20mm)



TIN LEAD PART NUMBER										
SHELL	A±0.38	B±0.12	C±0.10	D±0.25	E±0.07	G±0.25	200 Mating cycles		500 Mating cycles	
09	30.81	24.99	16.96	16.79	10.96	5.90	D09P33E4GV00	D09P33E4GI00	D09P33E6GV00	D09P33E6GI00
15	39.14	33.32	25.18	25.12	19.18	5.90	D15P33E4GV00	D15P33E4GI00	D15P33E6GV00	D15P33E6GI00
25	53.03	47.04	39.12	38.84	33.12	5.70	D25P33E4GV00	D25P33E4GI00	D25P33E6GV00	D25P33E6GI00
37	69.32	63.50	55.68	55.30	49.68	5.70	D37P33E4GV00	D37P33E4GI00	D37P33E6GV00	D37P33E6GI00

Threaded ØT M3 = I
Threaded ØT 4.40 = V

Threaded ØT M3 = I
Threaded ØT 4.40 = V

LEAD FREE PART NUMBER										
SHELL	A±0.38	B±0.12	C±0.10	D±0.25	E±0.07	G±0.25	200 Mating cycles		500 Mating cycles	
09	30.81	24.99	16.96	16.79	10.96	5.90	D09P33E4GV00LF	D09P33E4GI00LF	D09P33E6GV00LF	D09P33E6GI00LF
15	39.14	33.32	25.18	25.12	19.18	5.90	D15P33E4GV00LF	D15P33E4GI00LF	D15P33E6GV00LF	D15P33E6GI00LF
25	53.03	47.04	39.12	38.84	33.12	5.70	D25P33E4GV00LF	D25P33E4GI00LF	D25P33E6GV00LF	D25P33E6GI00LF
37	69.32	63.50	55.68	55.30	49.68	5.70	D37P33E4GV00LF	D37P33E4GI00LF	D37P33E6GV00LF	D37P33E6GI00LF

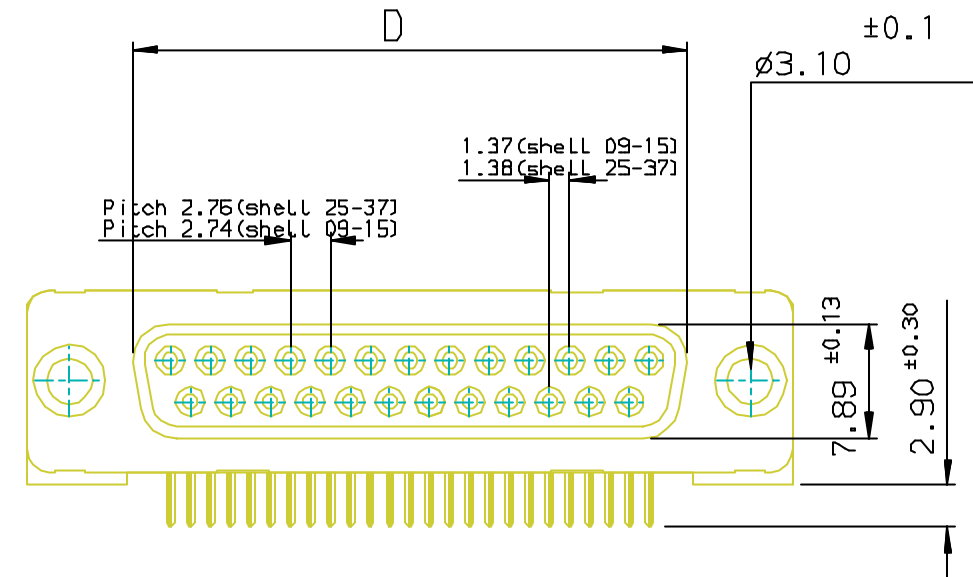
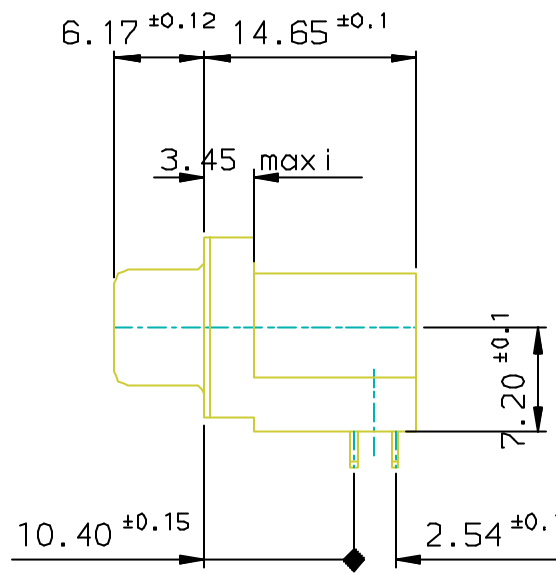
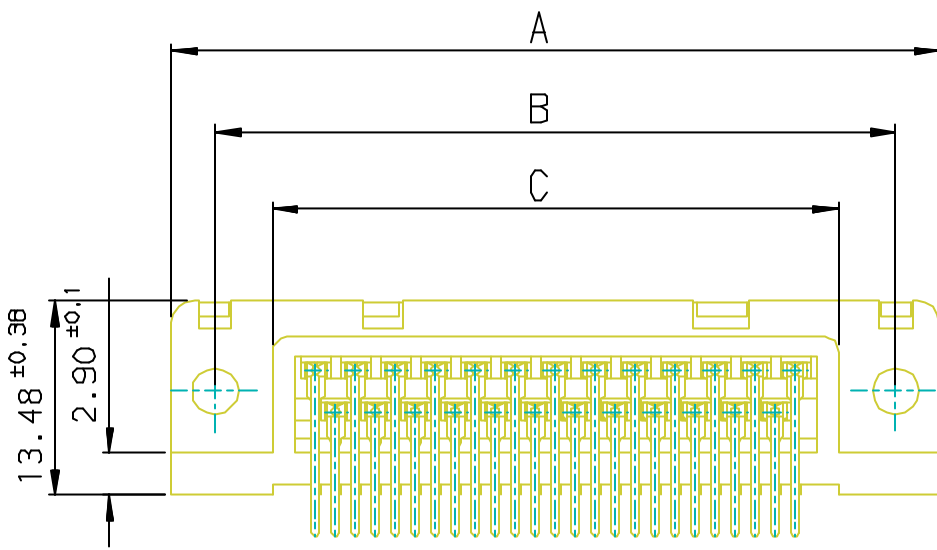
Threaded ØT M3 = I
Threaded ØT 4.40 = V

Threaded ØT M3 = I
Threaded ØT 4.40 = V

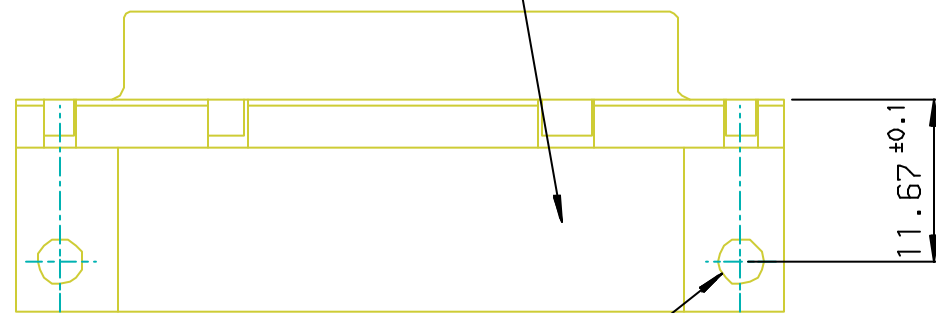
GENERAL CHARACTERISTICS : SEE DRAWING C01-8646-0000

mat'l. code		surface ISO 1302		tolerance ISO 406 ISO 1101		projection		product family	
-		✓				MM		D-SUB	
ltr	ecn no	dr	date	tolerances unless otherwise specified				title	
D	ELX-I-19243	AB	2014-10-29					MALE CONNECT. DELTA-D R/A	
				angles	linear			SCREW LOCK, HARPOON & METAL PLATE	
				0°±2'			scale 2:1		
		dr	JOHN SLEEBA	1993-04-07			dwg no		
		enr	ALIAS BABU	2014-10-29			sheet 1 of 1		
		chr	MITHUN PAUL	2014-10-29			size		
		app	BIJU K PAUL	2014-10-29			A3		
sheet index		revision	D	type Product Customer Drawing					
1		sheet	1						

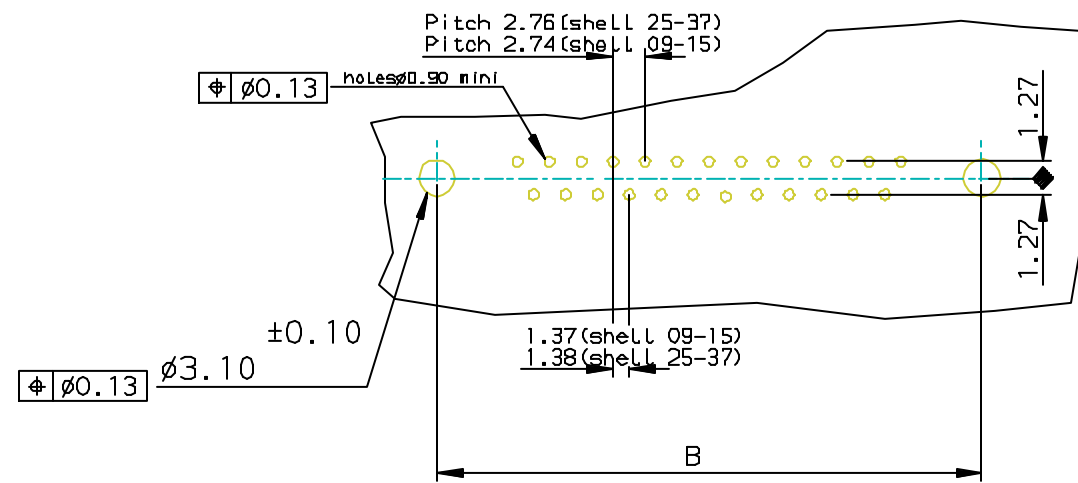




Part Number & Date Code Printing



PC card drilling dimensions (after plating)
(thickness 1.60±0.20mm)



SHELL	A±0.38	B±0.12	C±0.10	D±0.25	PART NUMBER	
09	30.81	24.99	16.96	16.21	--	D09S13A6PA00**
15	39.14	33.32	25.18	24.54	--	D15S13A6PA00**
25	53.03	47.04	39.12	38.25	--	D25S13A6PA00**
37	69.32	63.50	55.68	54.71	D37S13A4PA00**	D37S13A6PA00**

GENERAL CHARACTERISTICS : SEE DRAWING C01-8646-0000

LF FOR LEAD FREE



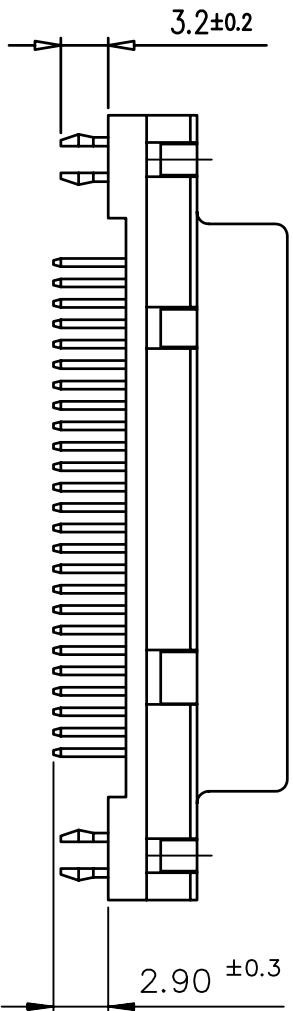
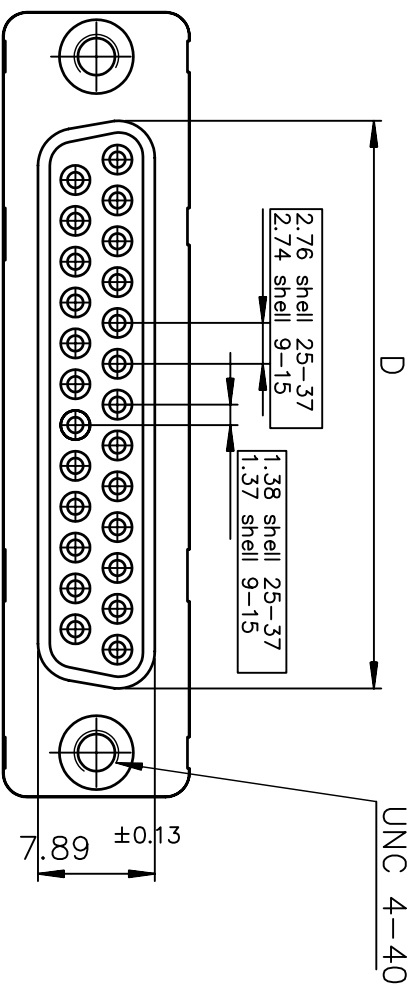
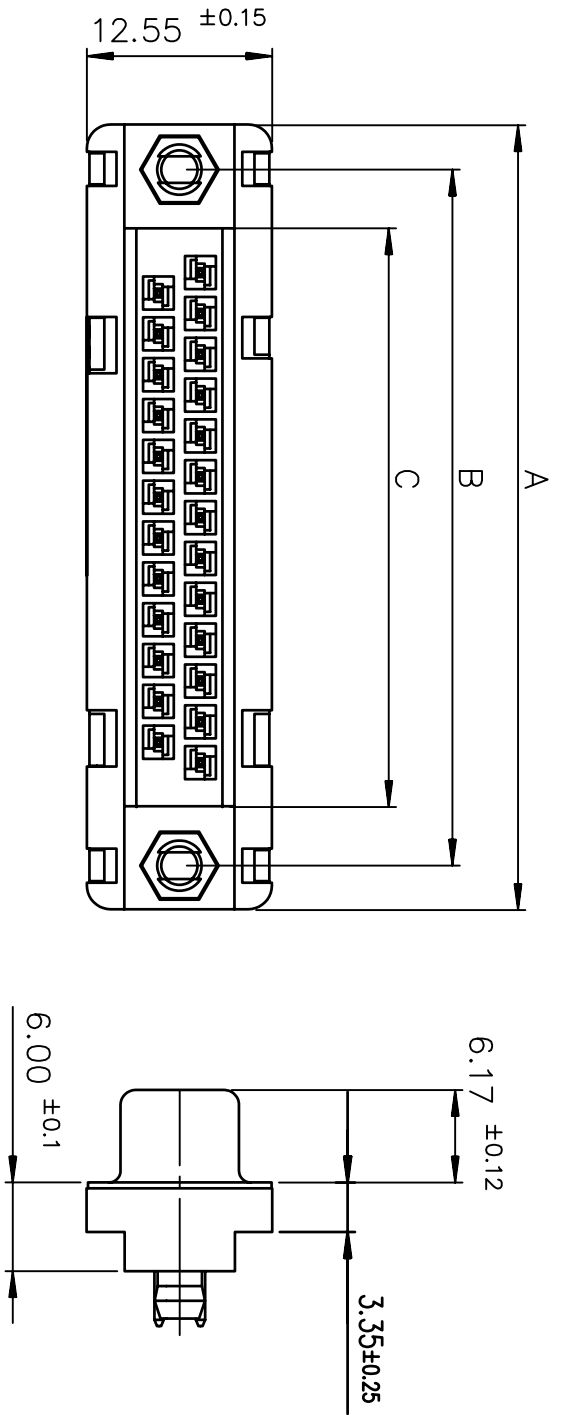
Copyright FCI.

European Views

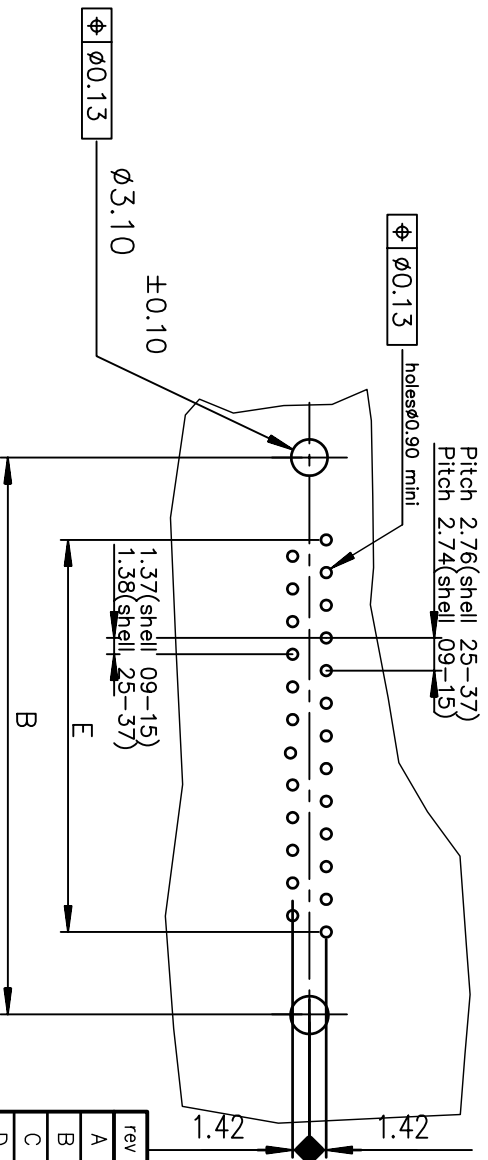
www.fciconnect.com		surface ISO 1302 ✓	tolerance std ISO 406 ISO 1101	projection mm
TOLERANCES UNLESS OTHERWISE SPECIFIED				
Dr	JOHN SLEEBA	1994/08/16	ANGULAR	size A3
Eng	GEORGE VJ	1994/08/16	LINEAR	Scale 1:1
Chr	GEORGE VJ	2005/07/27	0.XX ±1°	ECN -
Appr	KVSD	2005/07/27	Product family	Spec ref -
FCI		title SOCKET CONNECT. DELTA D right angle spill without accessories		Rev. C
catalog no		DELTA-D		sheet 1 of 1

rev	ech no	dr	date
B	105-0124	JS	2005/07/27
C	106-0074	SK	2006/06/08
-	-	-	-
-	-	-	-
-	-	-	-
-	-	-	-

REV F - 2006-04-17



PC card drilling dimensions(after plating)
(thickness 1.60±0.20mm)



rev	ecn no	dr	date
A	-	BAR	2003/04/17
B	LS05-001	MPE	2005/03/14
C	LS05-0056	MPE	2005/06/30
D	LS06-0097	LGO	2006/07/28
E	I10-0059	NG	2010-02-23

TIN LEAD PART NUMBER		PART NUMBER	
SHELL	A±0.38	B±0.12	C±0.10
09	30.81	24.99	16.96
15	39.14	33.32	25.18
25	53.03	47.04	39.12
37	69.32	63.50	55.68

LEAD FREE PART NUMBER		PART NUMBER	
SHELL	A±0.38	B±0.12	C±0.10
09	30.81	24.99	16.96
15	39.14	33.32	25.18
25	53.03	47.04	39.12
37	69.32	63.50	55.68

GENERAL CHARACTERISTICS AND ROHS INFORMATIONS:
SEE DRAWING C01-8646-0000

European Views

www.fciconnect.com

Dr	JOURBERT	1996/09/10	ANGULAR	tolerance std	ISO 1302	ISO 406 ISO 1101	projection	mm
Eng	PESSON	1996/09/10	ANGULAR	0.X	✓	ISO 1101	⊕	mm
Chr	NIRMAL GEORGE	2010-02-23	LINEAR	0.XX	TOLERANCES UNLESS OTHERWISE SPECIFIED			
Appr	SUDHIR VARMA	2010-02-23	Product family	0.XXX	European Views			

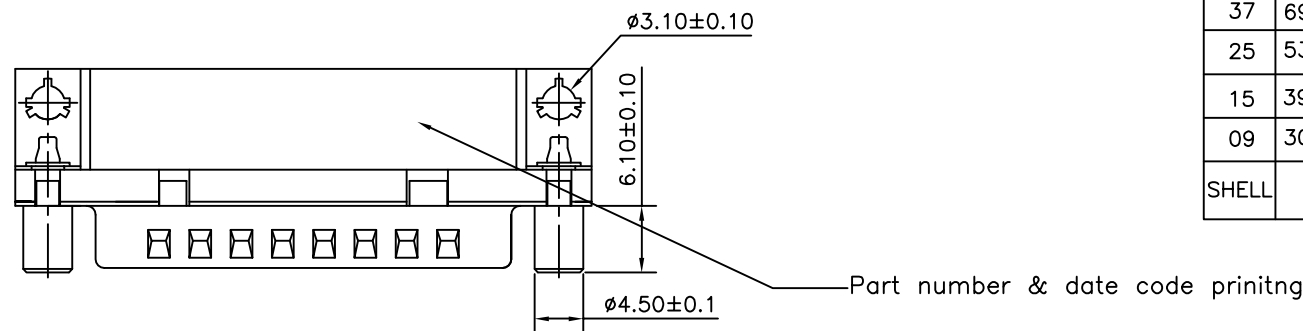
FCI FEMALE CONNECTOR STD EURO
straight solder type for

Scale 2

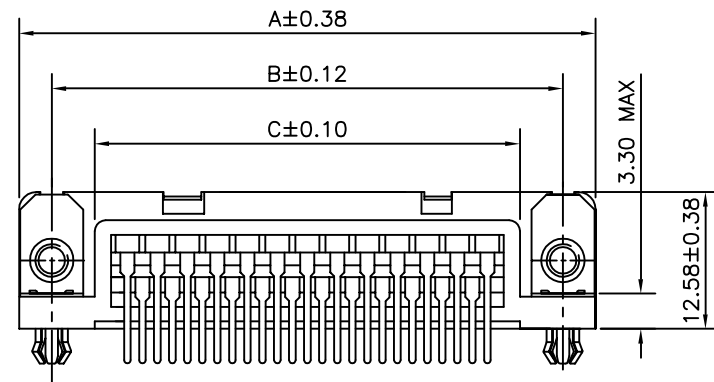
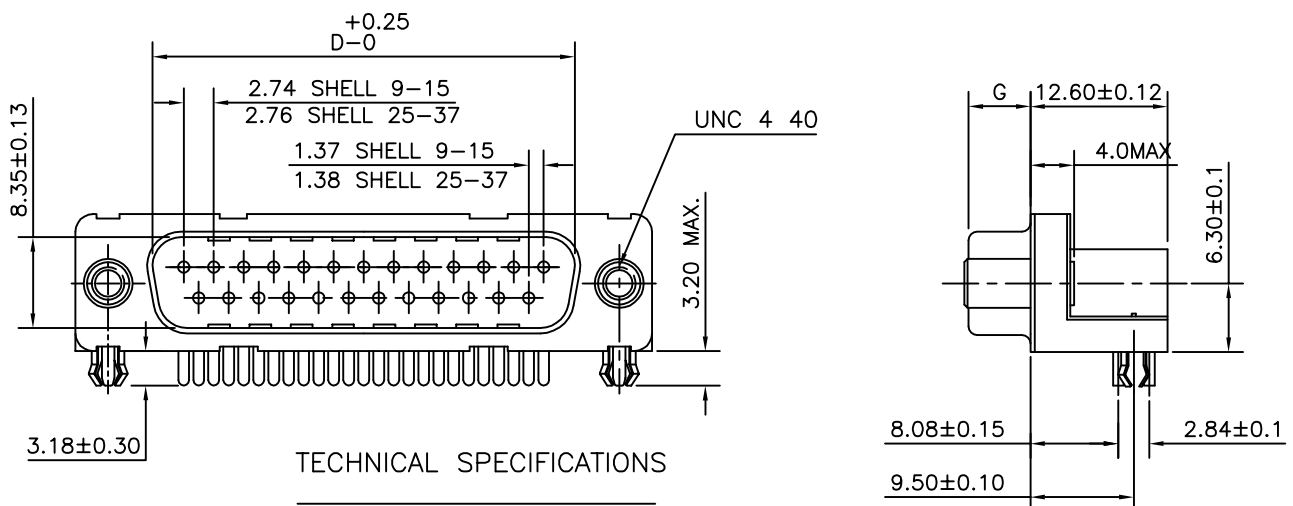
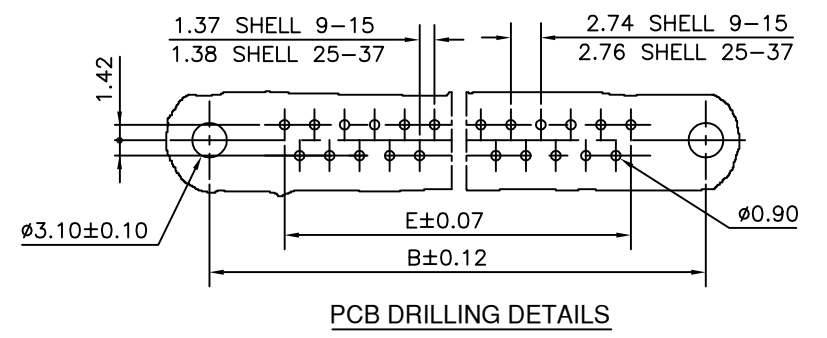
Rev. E

C01-8646-0834

CUSTOMER sheet 1 of 1



37	69.32	63.50	55.68	55.30	49.68	5.70 ^{+0.25} ₋₀
25	53.03	47.04	39.12	38.84	33.12	5.70 ^{+0.25} ₋₀
15	39.14	33.32	25.18	25.12	19.18	5.90 ^{+0.15} ₋₀
09	30.81	24.99	16.96	16.79	10.96	5.90 ^{+0.15} ₋₀
SHELL	A	B	C	D	E	G



MATERIAL

SHELL : STEEL TIN/Zinc Cr 3 PLATED.

INSULATORS : SELF EXTINGUISHING BLACK POLYESTER UL CLASS 94V0
THE HOUSING WILL WITHSTAND EXPOSURE TO 260-265°C
IF WE USE PROTECTIVE ADHESIVE (type Kapton or Teflon)
OR PROTECTIVE METALLIC DEVICE

CONTACTS : COPPER ALLOY

PLATING : GOLD OVER NICKEL

ACTIVE ZONE : TIN LEAD OVER NICKEL

TERMINATION ZONE FOR LEAD FREE PLATING : 2 μ MIN.MATTE TIN TOP OVER
1.27 μ MIN.NICKEL UNDER PLATE(ON TERMINATION ZONE)

METAL BRACKET : BRASS,TIN/Zinc Cr 3 PLATED.

HARPOON : BRASS,TIN PLATED.

SCREW LOCK : BRASS,TIN/Zinc Cr3 PLATED.

ELECTRICAL DATA

MAX.CURRENT RATING : 5A

TEST VOLTAGE : 1000V

RATED VOLTAGE : 300V

CONTACT RESISTANCE : < 25mΩ

SHELL RESISTANCE : < 5mΩ

INSULATION RESISTANCE : > 5000MΩ

ENVIRONMENTAL CHARACTERISTICS

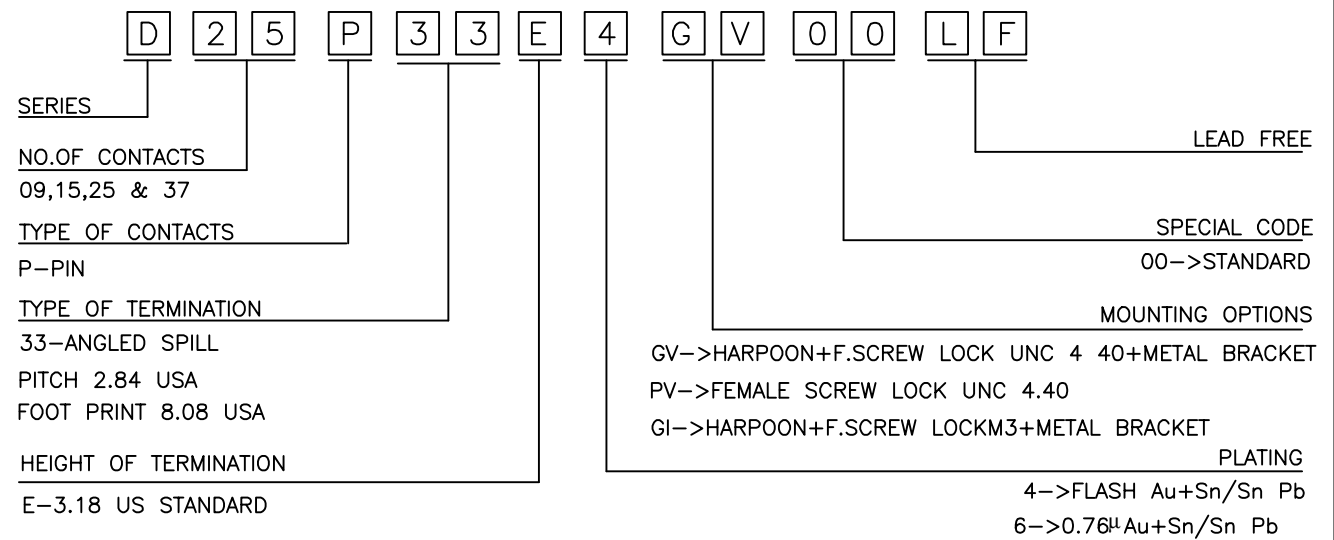
OPERATING TEMPERATURE RANGE : -55°C +125°C

MECHANICAL CHARACTERISTICS

MATING/UNMATING CYCLES (MIN) : 200 (FLASH Au); 500 (0.76μ Au)

INSERTION/EXTRACTION FORCE PER CONTACT : 5 N Max./ 0.3 N Min.

ORDERING INFORMATION



"This LF product meets European Union Directives and other country regulations as described in GS-22-008"

The housing will withstand exposure to 260°C peak temperature for 3.5 seconds in a wave solder application with a 1.6mm minimum thick circuit board.

Packaging as per GS-14-920

mat'l. code		surface		tolerance		projection		product family	
SEE NOTE 4		ISO 1302		ISO 406 ISO 1101		MM		DELTA-D	
ltr	ecn no	dr	date	tolerances unless otherwise specified		MM		title	
B	106-0074	GVJ	2006/06/08	angles	linear	MM		DELTA-D A/S MALE CONNECTOR (GV VER.)	
				0°±1°	.00±0.1	scale -		(WITH FEM.SCREW LOCK,HARPOON & METAL BRACKET)	
				dr	enr	chr	appd	dwg no	
				GEORGE.V.JOSEPH	GEORGE.V.JOSEPH	GEORGE.V.JOSEPH	K_V_SIVADAS	sheet 1 of 1	
				1998/12/16	1998/12/16	2006/06/22	2006/06/22	size	
								A3	
sheet index		revision sheet		B 1		FCJ		type Product Customer Drawing	
								C-DD-0088	



Copyright FCI