

Product/Process Change Notifications



PCN - 14 090

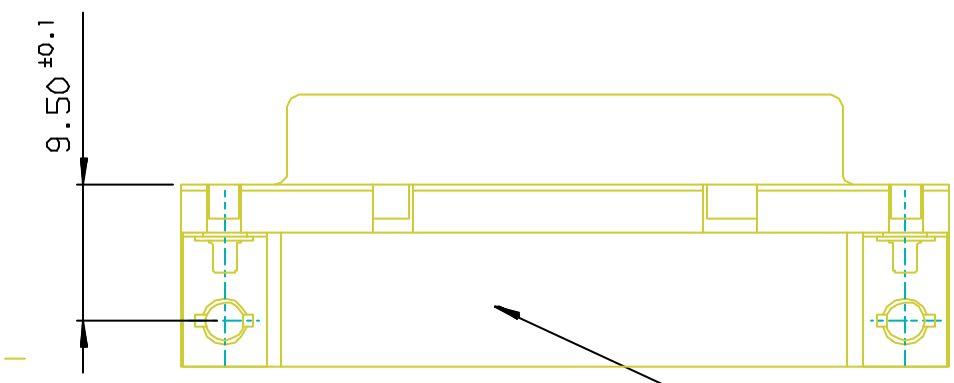
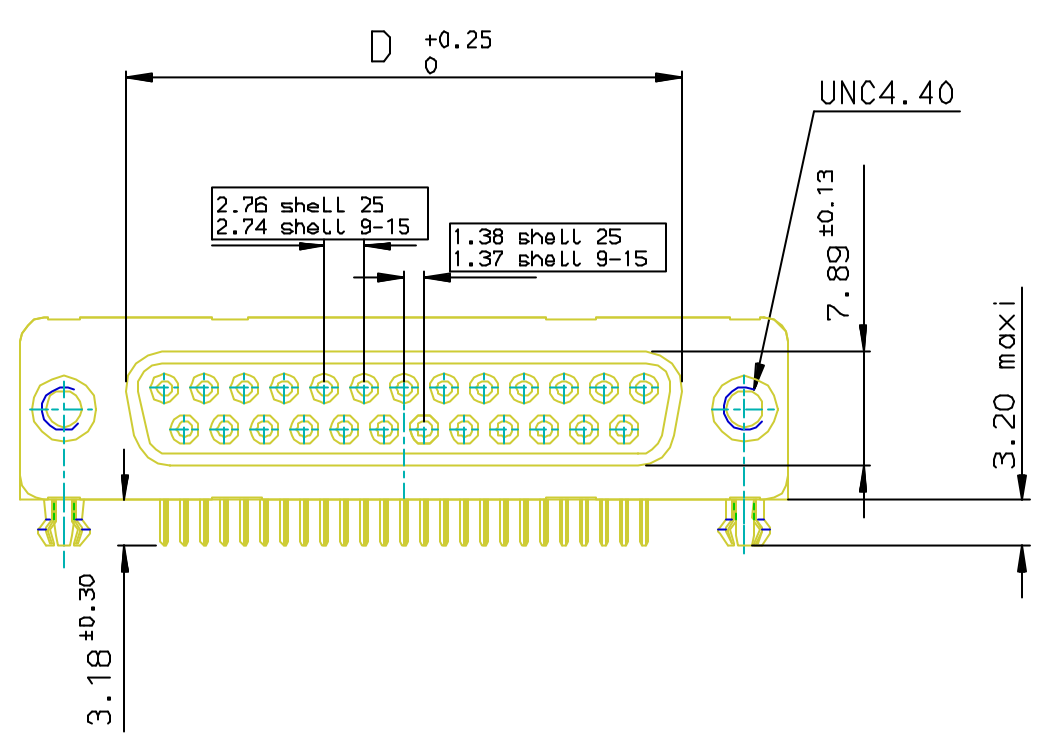
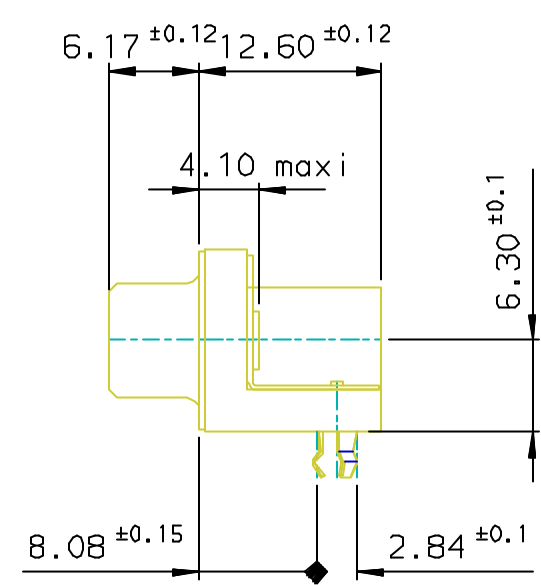
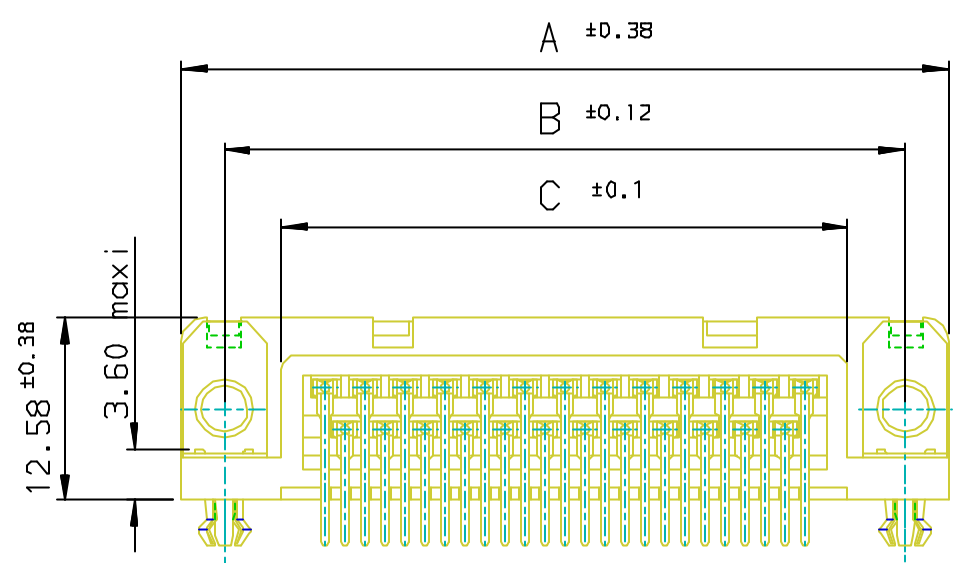
Release Date: November 07 2014

| | | | |
|-----------------------------------|--|----|----|
| Product Name: | Delta-D | | |
| | Straight and R/A solder versions | | |
| Product Manager: | Vicy Pulayath | | |
| Subject: | Notification of Change with Immediate Effectivity | | |
| Distribution: | General | | |
| Type of Change: | Documentation Change | | |
| Change Description: | Removing the drawing duplications in Delta-D. | | |
| Reason for Change: | To standardize the Delta-D drawings. There is no change to the finished product and since change is only to remove the duplicated drawings, this is effective immediately. | | |
| Affected Parts: | Attached list. | | |
| Effective Date of Change: | November 15, 2015 | | |
| Last Time Buy Date: | NA | | |
| Last Disty Return Date: | NA | | |
| Last Time Shipment Date | NA | | |
| Datasheet Attached? | Yes | | |
| Qual/Test Data Attached? | NA | | |
| Samples Availability Date: | NA | NA | NA |
| Available Alternatives? | N/A | | |
| Questions? | <i>Contact your local FCI Representative, or Product Manager</i> | | |
| | <i>Vicy Pulayath</i> | | |
| | <i>Vicy.pulayah@fci.com</i> | | |

Note:
 Customer shall intimate the product Manager any Concern regarding the PCN within 3 weeks of the release date.
 PCN is considered approved by the customer if no communication is received within 3 weeks

| PCN | Item Number | Change | Effective Date | Last Time Buy Date | Last Disty return date | Replacement Part | Alternate Part | Comments |
|----------|----------------|----------------------|----------------|--------------------|------------------------|------------------|----------------|----------|
| PCN14090 | D09P33E4GI00LF | DOCUMENTATION CHANGE | 15-Nov-14 | | | | | |
| PCN14090 | D09P33E4GV00LF | DOCUMENTATION CHANGE | 15-Nov-14 | | | | | |
| PCN14090 | D09P33E6GV00 | DOCUMENTATION CHANGE | 15-Nov-14 | | | | | |
| PCN14090 | D09P33E6GV00LF | DOCUMENTATION CHANGE | 15-Nov-14 | | | | | |
| PCN14090 | D09S13A4PA00 | DOCUMENTATION CHANGE | 15-Nov-14 | | | | | |
| PCN14090 | D09S13A4PA00LF | DOCUMENTATION CHANGE | 15-Nov-14 | | | | | |
| PCN14090 | D09S13A6PA00LF | DOCUMENTATION CHANGE | 15-Nov-14 | | | | | |
| PCN14090 | D09S24A4GX00LF | DOCUMENTATION CHANGE | 15-Nov-14 | | | | | |
| PCN14090 | D09S24A6GX00LF | DOCUMENTATION CHANGE | 15-Nov-14 | | | | | |
| PCN14090 | D09S33E4GV00 | DOCUMENTATION CHANGE | 15-Nov-14 | | | | | |
| PCN14090 | D09S33E4GV00LF | DOCUMENTATION CHANGE | 15-Nov-14 | | | | | |
| PCN14090 | D09S33E4GX00 | DOCUMENTATION CHANGE | 15-Nov-14 | | | | | |
| PCN14090 | D09S33E4GX00LF | DOCUMENTATION CHANGE | 15-Nov-14 | | | | | |
| PCN14090 | D09S33E6GI00LF | DOCUMENTATION CHANGE | 15-Nov-14 | | | | | |
| PCN14090 | D09S33E6GV00 | DOCUMENTATION CHANGE | 15-Nov-14 | | | | | |
| PCN14090 | D09S33E6GV00LF | DOCUMENTATION CHANGE | 15-Nov-14 | | | | | |
| PCN14090 | D09S33E6GX00LF | DOCUMENTATION CHANGE | 15-Nov-14 | | | | | |
| PCN14090 | D15P33E4GV00 | DOCUMENTATION CHANGE | 15-Nov-14 | | | | | |
| PCN14090 | D15P33E4GV00LF | DOCUMENTATION CHANGE | 15-Nov-14 | | | | | |
| PCN14090 | D15P33E6GI00LF | DOCUMENTATION CHANGE | 15-Nov-14 | | | | | |
| PCN14090 | D15P33E6GV00LF | DOCUMENTATION CHANGE | 15-Nov-14 | | | | | |
| PCN14090 | D15S13A4PA00LF | DOCUMENTATION CHANGE | 15-Nov-14 | | | | | |
| PCN14090 | D15S13A6PA00LF | DOCUMENTATION CHANGE | 15-Nov-14 | | | | | |
| PCN14090 | D15S24A4GX00LF | DOCUMENTATION CHANGE | 15-Nov-14 | | | | | |
| PCN14090 | D15S24A6GX00LF | DOCUMENTATION CHANGE | 15-Nov-14 | | | | | |
| PCN14090 | D15S33E4GI00 | DOCUMENTATION CHANGE | 15-Nov-14 | | | | | |
| PCN14090 | D15S33E4GI00LF | DOCUMENTATION CHANGE | 15-Nov-14 | | | | | |
| PCN14090 | D15S33E4GV00 | DOCUMENTATION CHANGE | 15-Nov-14 | | | | | |
| PCN14090 | D15S33E4GV00LF | DOCUMENTATION CHANGE | 15-Nov-14 | | | | | |
| PCN14090 | D15S33E4GX00 | DOCUMENTATION CHANGE | 15-Nov-14 | | | | | |
| PCN14090 | D15S33E4GX00LF | DOCUMENTATION CHANGE | 15-Nov-14 | | | | | |
| PCN14090 | D15S33E6GV00 | DOCUMENTATION CHANGE | 15-Nov-14 | | | | | |
| PCN14090 | D15S33E6GV00LF | DOCUMENTATION CHANGE | 15-Nov-14 | | | | | |
| PCN14090 | D15S33E6GX00 | DOCUMENTATION CHANGE | 15-Nov-14 | | | | | |
| PCN14090 | D15S33E6GX00LF | DOCUMENTATION CHANGE | 15-Nov-14 | | | | | |
| PCN14090 | D25P33E4GV00 | DOCUMENTATION CHANGE | 15-Nov-14 | | | | | |
| PCN14090 | D25P33E4GV00LF | DOCUMENTATION CHANGE | 15-Nov-14 | | | | | |
| PCN14090 | D25P33E6GV00LF | DOCUMENTATION CHANGE | 15-Nov-14 | | | | | |
| PCN14090 | D25S13A4PA00 | DOCUMENTATION CHANGE | 15-Nov-14 | | | | | |
| PCN14090 | D25S13A4PA00LF | DOCUMENTATION CHANGE | 15-Nov-14 | | | | | |
| PCN14090 | D25S13A6PA00LF | DOCUMENTATION CHANGE | 15-Nov-14 | | | | | |
| PCN14090 | D25S24A4GX00LF | DOCUMENTATION CHANGE | 15-Nov-14 | | | | | |

| | | | | | | | | |
|----------|----------------|----------------------|-----------|--|--|--|--|--|
| PCN14090 | D25S24A6GX00LF | DOCUMENTATION CHANGE | 15-Nov-14 | | | | | |
| PCN14090 | D25S33E4GV00 | DOCUMENTATION CHANGE | 15-Nov-14 | | | | | |
| PCN14090 | D25S33E4GV00LF | DOCUMENTATION CHANGE | 15-Nov-14 | | | | | |
| PCN14090 | D25S33E4GX00LF | DOCUMENTATION CHANGE | 15-Nov-14 | | | | | |
| PCN14090 | D25S33E6GV00 | DOCUMENTATION CHANGE | 15-Nov-14 | | | | | |
| PCN14090 | D25S33E6GV00LF | DOCUMENTATION CHANGE | 15-Nov-14 | | | | | |
| PCN14090 | D25S33E6GX00LF | DOCUMENTATION CHANGE | 15-Nov-14 | | | | | |
| PCN14090 | D37P33E4GV00LF | DOCUMENTATION CHANGE | 15-Nov-14 | | | | | |
| PCN14090 | D37P33E6GV00LF | DOCUMENTATION CHANGE | 15-Nov-14 | | | | | |
| PCN14090 | D37S13A4PA00LF | DOCUMENTATION CHANGE | 15-Nov-14 | | | | | |
| PCN14090 | D37S24A4GX00LF | DOCUMENTATION CHANGE | 15-Nov-14 | | | | | |
| PCN14090 | D37S24A6GX00LF | DOCUMENTATION CHANGE | 15-Nov-14 | | | | | |
| PCN14090 | D37S33E4GV00 | DOCUMENTATION CHANGE | 15-Nov-14 | | | | | |
| PCN14090 | D37S33E4GV00LF | DOCUMENTATION CHANGE | 15-Nov-14 | | | | | |
| PCN14090 | D37S33E4GX00 | DOCUMENTATION CHANGE | 15-Nov-14 | | | | | |
| PCN14090 | D37S33E4GX00LF | DOCUMENTATION CHANGE | 15-Nov-14 | | | | | |
| PCN14090 | D37S33E6GV00 | DOCUMENTATION CHANGE | 15-Nov-14 | | | | | |
| PCN14090 | D37S33E6GV00LF | DOCUMENTATION CHANGE | 15-Nov-14 | | | | | |
| PCN14090 | D37S33E6GX00LF | DOCUMENTATION CHANGE | 15-Nov-14 | | | | | |



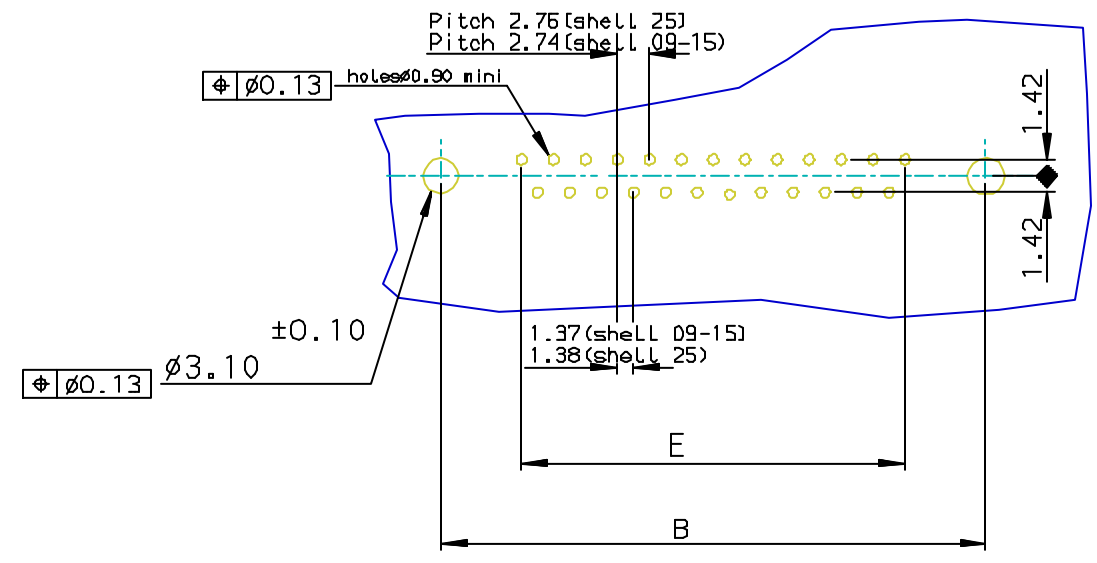
Part Number & Date Code Printing

| Pull parts | | | | | | |
|------------|--------|--------|--------|--------|--------|----------------|
| SHELL | A±0.38 | B±0.12 | C±0.10 | D±0.25 | E±0.07 | PART NUMBER |
| 09 | 30.81 | 24.99 | 16.96 | 16.21 | 10.96 | D09S33E4GX00** |
| 15 | 39.14 | 33.32 | 25.18 | 24.54 | 19.18 | D15S33E4GX00** |
| 25 | 53.03 | 47.04 | 39.12 | 38.25 | 33.12 | D25S33E4GX00** |

GENERAL CHARACTERISTICS : SEE DRAWING C01-8646-0000

LF FOR LEAD FREE

PC card drilling dimensions(after plating)
(thickness 1.60±0.20mm)



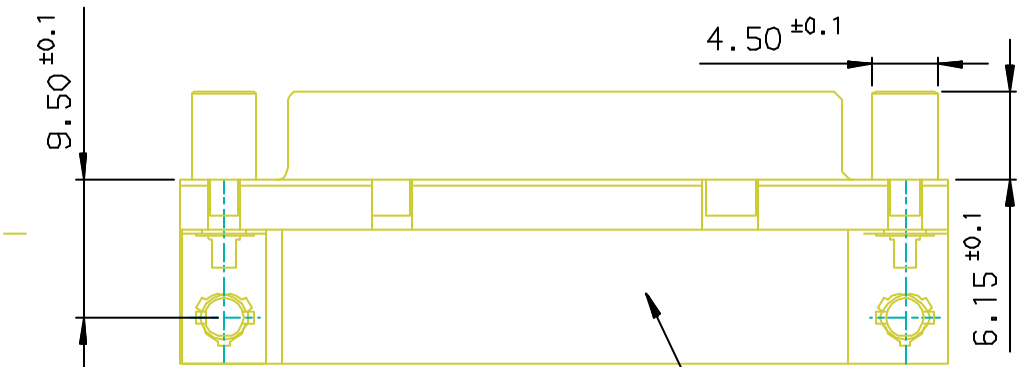
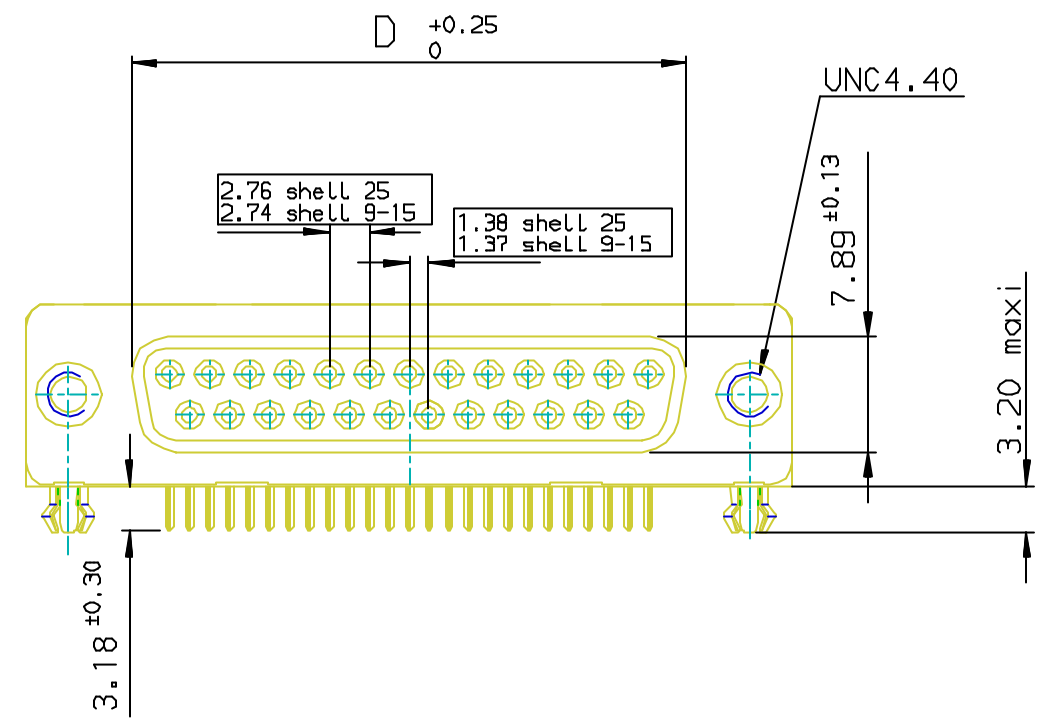
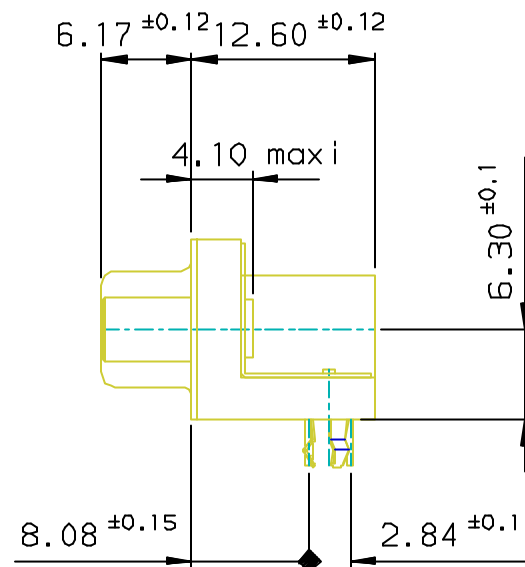
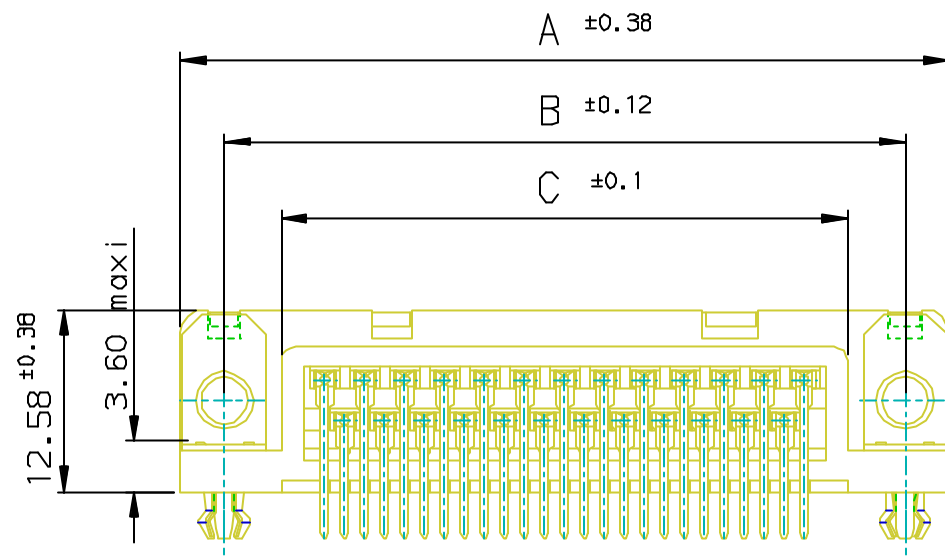
Copyright FCI.

European Views

| rev | ecn no | dr | date |
|-----|----------|----|------------|
| E | 105-0124 | JS | 2005/07/27 |
| F | 106-0074 | SK | 2006/06/08 |
| - | - | - | - |
| - | - | - | - |
| - | - | - | - |
| - | - | - | - |

| | | | | |
|---------------------------------------|-------------|--|-----------------------------------|----------------------|
| www.fciconnect.com | | surface ISO 1302 ✓ | tolerance std ISO 406 ISO 1101 | projection mm |
| TOLERANCES UNLESS OTHERWISE SPECIFIED | | | | |
| Dr | JOHN SLEEBA | 1994/10/14 | ANGULAR | 0.X ±0.1 |
| Eng | GEORGE VJ | 1994/10/14 | LINEAR | 0.XX ±0.1 |
| Chr | GEORGE VJ | 2005/07/27 | 0.XX* ±1* | 0.XXX ±0.1 |
| Appr | KVSD | 2005/07/27 | Product family | D-SUB Spec ref - |
| FCI | | title SOCKET CONNECT.DELTA D RIGHT ANGLE WITH NUT, HARPOON AND METAL PLATE | | Rev. F |
| catalog no | | DELTA-D | | no C-8646-00146-2 |
| | | CUSTOMER | | sheet 1 of 1 |

REV F - 2006-04-17



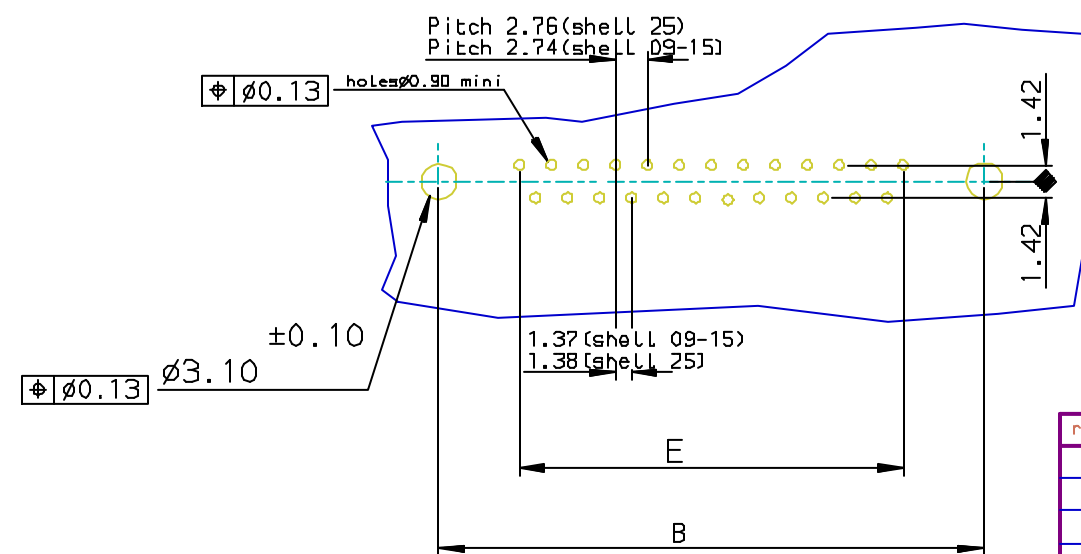
Part Number & Date Code Printing

PC card drilling dimensions (after plating)
(thickness 1.60 ± 0.20mm)

| Pull Parts | | | | | | PART NUMBER |
|------------|----------|----------|----------|----------|----------|----------------|
| SHELL | A ± 0.38 | B ± 0.12 | C ± 0.10 | D ± 0.25 | E ± 0.07 | Gold flash |
| 09 | 30.81 | 24.99 | 16.96 | 16.21 | 10.96 | D09S33E4GV00** |
| 15 | 39.14 | 33.32 | 25.18 | 24.54 | 19.18 | D15S33E4GV00** |
| 25 | 53.03 | 47.04 | 39.12 | 38.25 | 33.12 | D25S33E4GV00** |

GENERAL CHARACTERISTICS - SEE DRAWING C01-8646-0000

LF FOR LEAD FREE



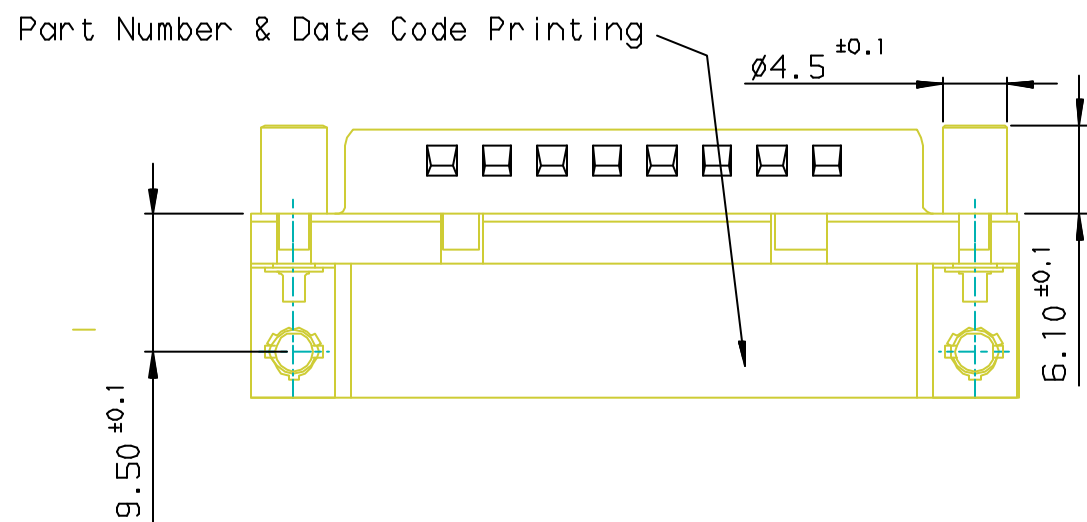
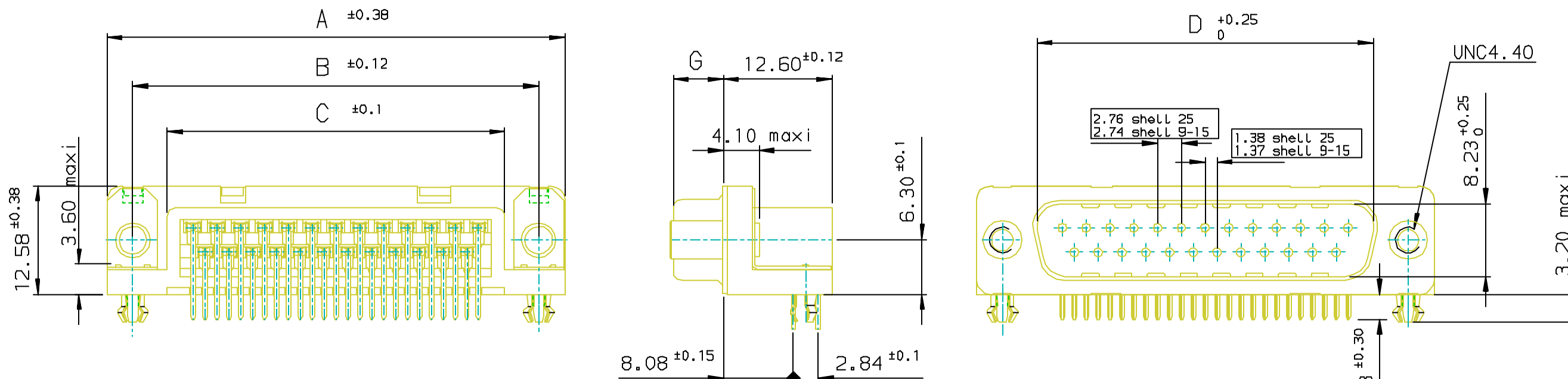
| rev | ecn no | dr | date |
|-----|----------|----|------------|
| E | 105-0124 | JS | 2005/07/27 |
| F | 106-0074 | SK | 2006/06/08 |
| - | - | - | - |
| - | - | - | - |
| - | - | - | - |
| - | - | - | - |

| | | | | |
|---------------------------------------|-------------|---|-----------------------------------|------------------|
| www.fciconnect.com | | surface ISO 1302 ✓ | tolerance std ISO 406 ISO 1101 | projection mm |
| TOLERANCES UNLESS OTHERWISE SPECIFIED | | | | |
| Dr | JOHN SLEEBA | 1993/04/07 | ANGULAR | size A3 |
| Eng | GEORGE VJ | 1993/04/07 | LINEAR | Scale 1:1 |
| Chr | GEORGE VJ | 2005/07/27 | 0.XX ± 1* | ECN - |
| Appr | KVSD | 2005/07/27 | Product family | Spec ref - |
| FCI | | title SOCKET CONNECT.DELTA D right angle screwlock, harpoon & metal plate | | Rev. F |
| catalog no | | DELTA-D | | sheet 1 of 1 |
| drawing no | | C-8646-0147-2 | | CUSTOMER |

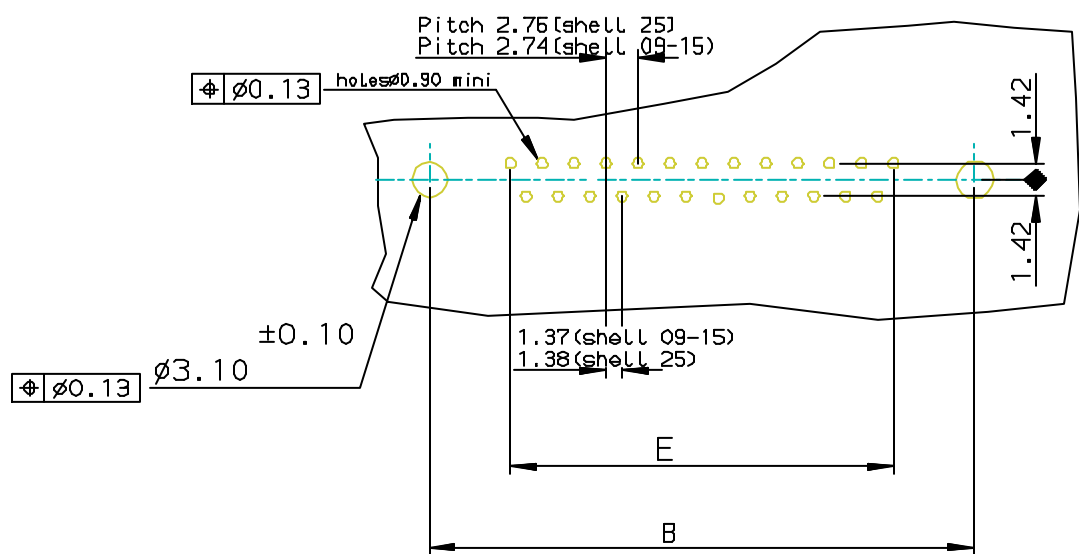


Copyright FCI.

REV F - 2006-04-17



PC card drilling dimensions(after plating)
(thickness 1.60±0.20mm)



| Pull Parts | | | | | | | |
|------------|--------|--------|--------|--------|--------|--------|----------------|
| SHELL | A±0.38 | B±0.12 | C±0.10 | D±0.25 | E±0.07 | G±0.25 | PART NUMBER |
| 09 | 30.81 | 24.99 | 16.96 | 16.79 | 10.96 | 5.90 | D09P33E4GV00** |
| 15 | 39.14 | 33.32 | 25.18 | 25.12 | 19.18 | 5.90 | D15P33E4GV00** |
| 25 | 53.03 | 47.04 | 39.12 | 38.84 | 33.12 | 5.70 | D25P33E4GV00** |

GENERAL CHARACTERISTICS : SEE DRAWING C01-8646-0000

LF FOR LEAD FREE



Copyright FCI.

| www.fciconnect.com | | surface | tolerance std | projection | mm |
|--------------------|-------------|--|------------------|-------------------|---------------------------------|
| Dr | JOHN SLEEBA | ISO 1302 | ISO 406 ISO 1101 | ANGULAR | Scale 1:1 |
| Eng | GEORGE VJ | TOLERANCES UNLESS OTHERWISE SPECIFIED | | LINEAR | ECN - |
| Chr | GEORGE VJ | 0.X | ±0.1 | 0.XX | ±0.1 |
| Appr | KVSD | 0.XXX | ±0.1 | 0.XX* ±1* | Product family D-SUB Spec ref - |
| | | title MALE CONNECT.DELTA D right angle screwlock, harpoon & metal plate catalog no DELTA-D | | size A3 Rev. E | |
| | | dwg no C01-8646-0151 CUSTOMER sheet 1 of 1 | | | |

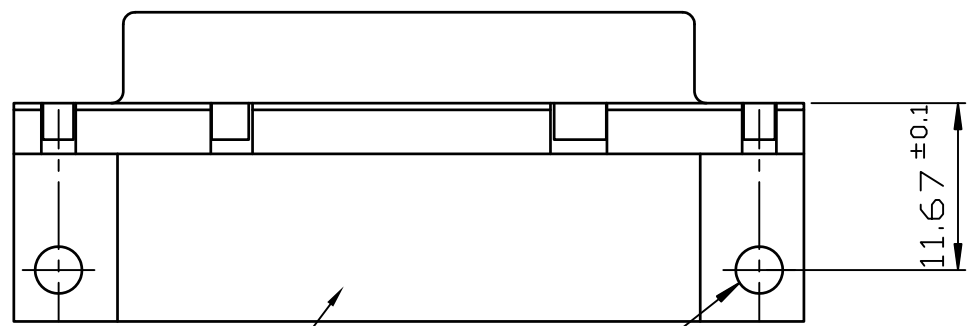
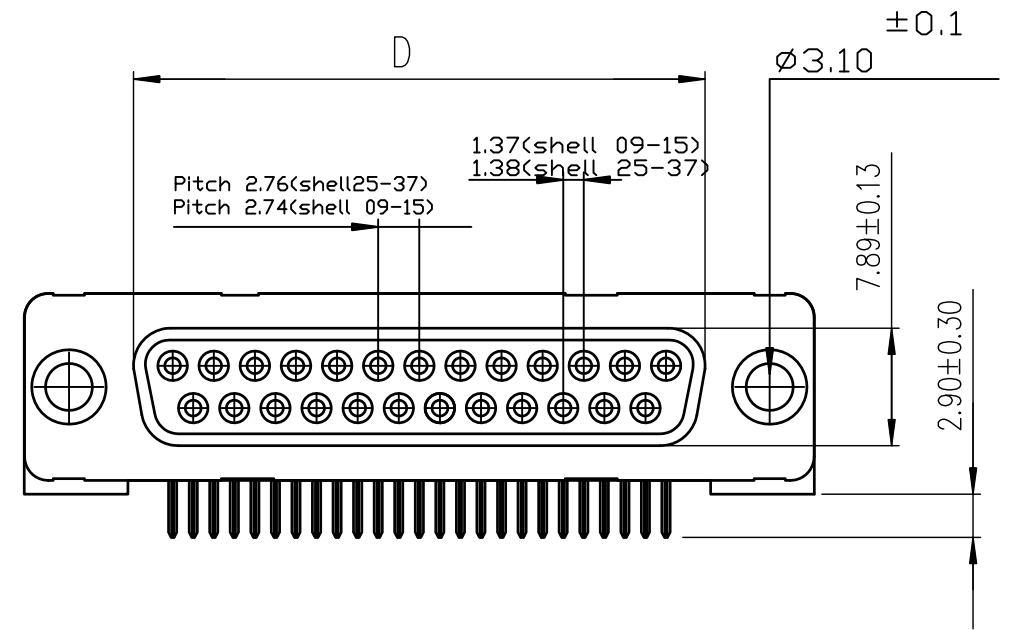
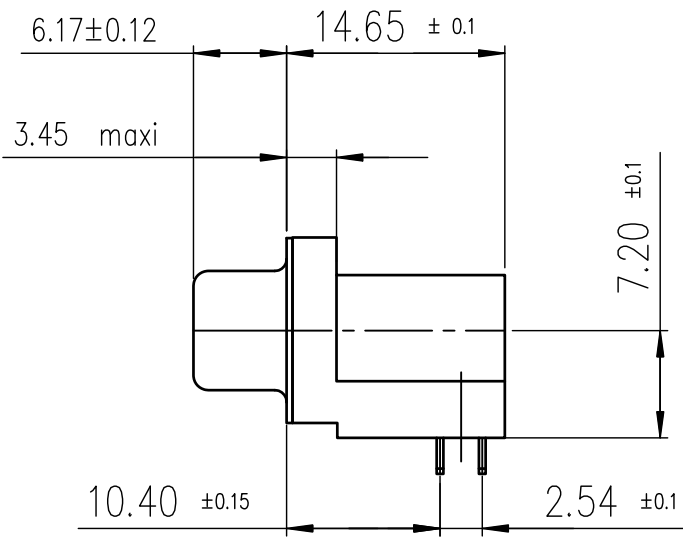
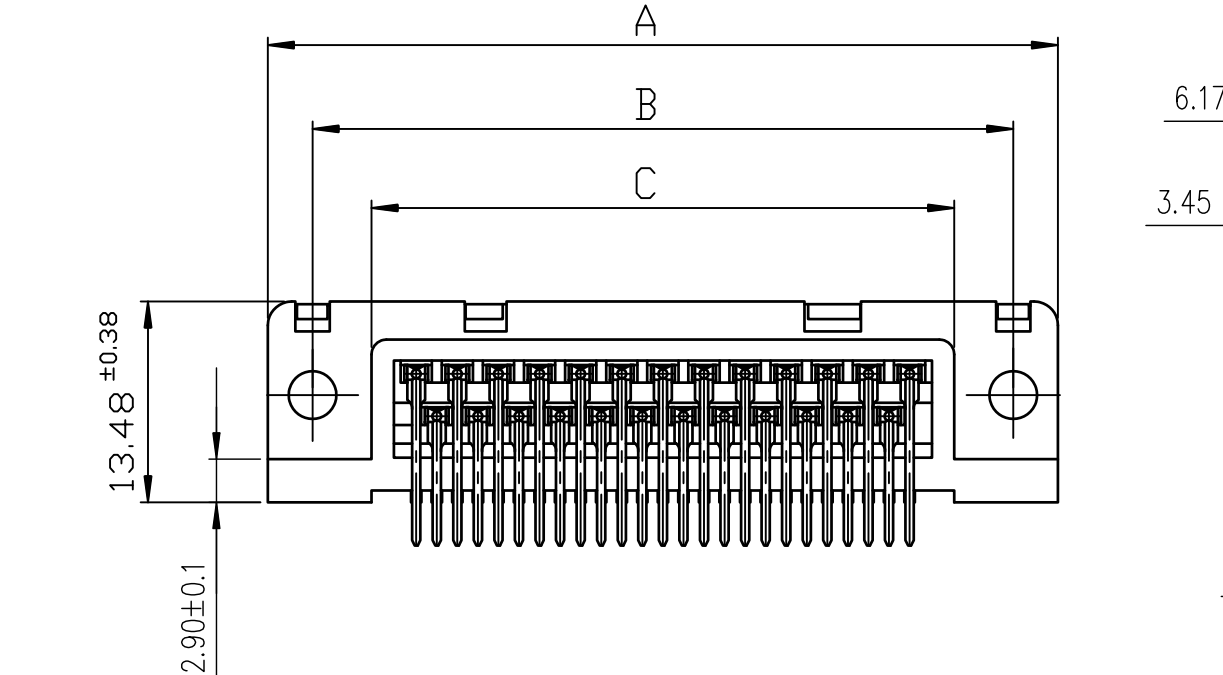
| rev | ecn no | dr | date |
|-----|----------|----|------------|
| D | 105-0124 | JS | 2005/07/27 |
| E | 106-0074 | SK | 2006/06/08 |
| - | - | - | - |
| - | - | - | - |
| - | - | - | - |
| - | - | - | - |

REV F - 2006-04-17



FCIconnect.com

Copyright FCI



Part Number & Date Code Printing

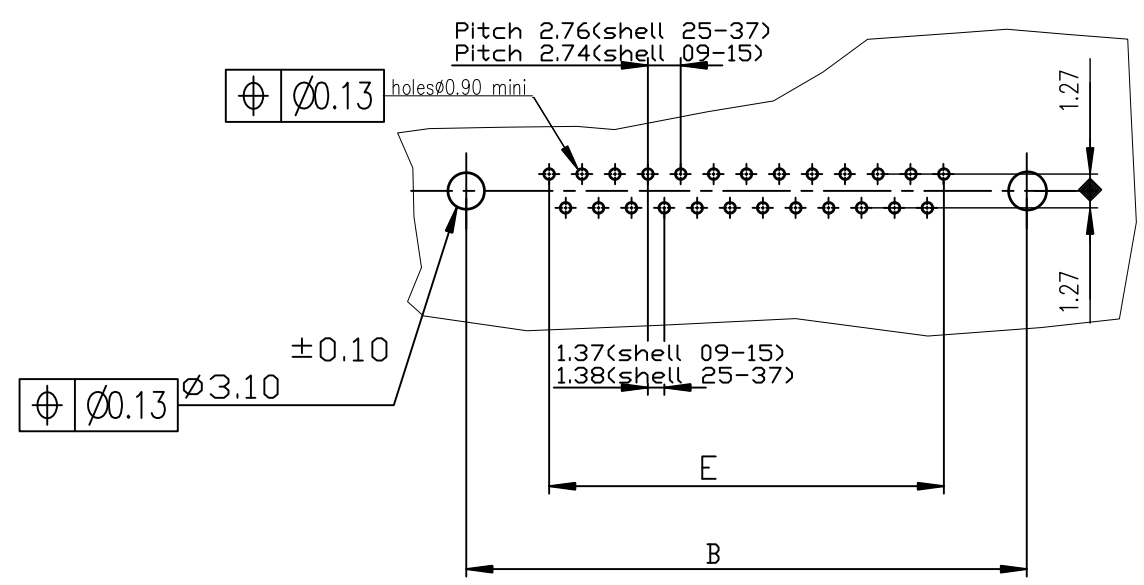
±0.10
Ø3.10

LF FOR LEAD FREE

| Pull Parts | | | | | | |
|------------|--------|--------|--------|--------|--------|----------------|
| SHELL | A±0.38 | B±0.12 | C±0.10 | D±0.25 | E±0.07 | PART NUMBER |
| 09 | 30.81 | 24.99 | 16.96 | 16.21 | 10.96 | D09S13A*PA00** |
| 15 | 39.14 | 33.32 | 25.18 | 24.54 | 19.18 | D15S13A*PA00** |
| 25 | 53.03 | 47.04 | 39.12 | 38.25 | 33.12 | D25S13A*PA00** |
| 37 | 69.32 | 63.50 | 55.68 | 54.71 | 49.68 | D37S13A*PA00** |

4-200 Mating Cycles
6-500 Mating Cycles

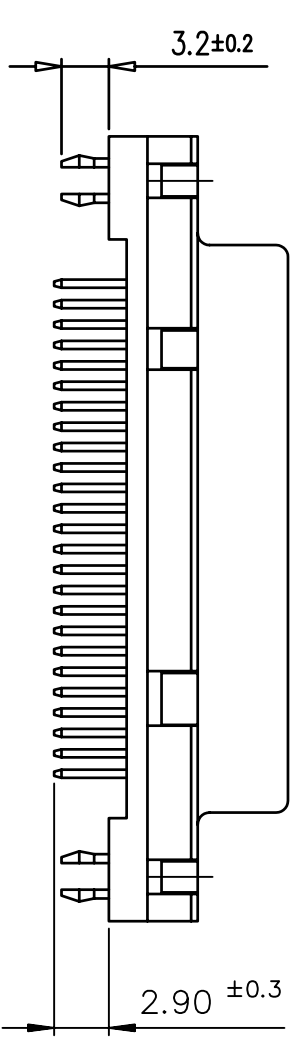
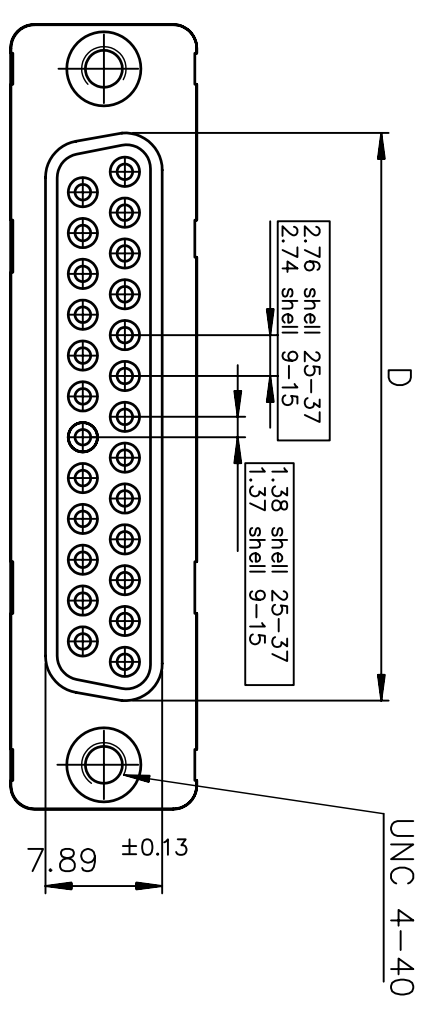
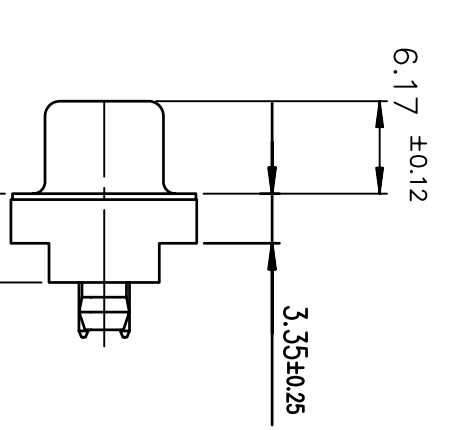
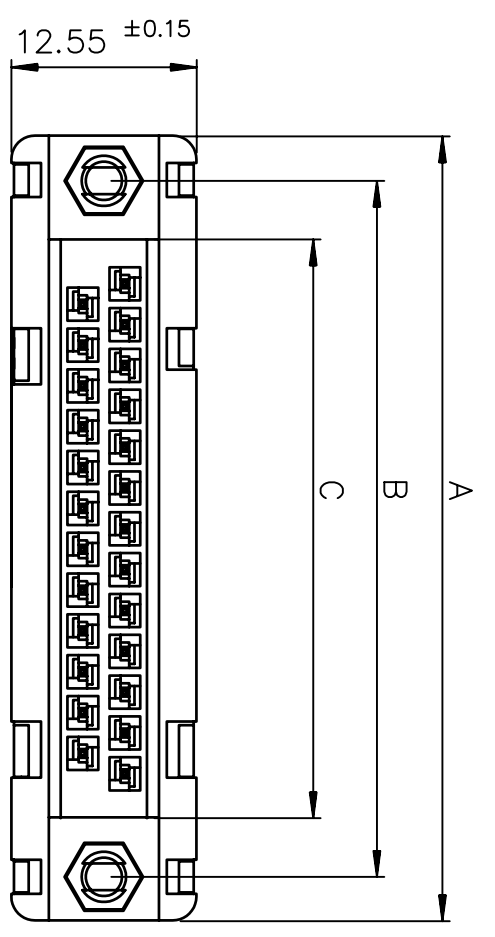
PC card drilling dimensions(after plating)
(thickness 1.60±0.20mm)



GENERAL CHARACTERISTICS : SEE DRAWING C01-8646-0000

FOR ROHS DETAILS REFER DWG.NO: C01-8646-0000

| | | | | | | | | | | | | |
|--------------------------|--------------|----|------------|-----------------------|--------|--|--|------------------|--|--|--------------------------|--|
| mat'l. code SEE NOTES | | | | surface ISO 1302 ✓ | | tolerance ISO 406 ISO 1101 tolerances unless otherwise specified | | projection MM | | product family D-SUB | | |
| ltr | ecn no | dr | date | angles | linear | O.X ±0.1 | | scale 1:1 | | title SOCKET CONNECT.DELTA D RIGHT ANGLE SPILL WITHOUT ACCESSORIES | | |
| E | I05-0124 | JS | 2005/07/27 | | | O.XX ±0.1 | | | | | | |
| F | I06-0074 | SK | 2006/06/08 | | | O.XXX±0.1 | | | | dwg no C01-8646-0304 | | |
| G | ELXI-I-15060 | AB | 2013/06/25 | X±1° | | | | | | sheet 1 of 1 size A3 | | |
| sheet index | | | revision | G | | | | | | | type CUSTOMER Drawing | |
| | | | sheet | 1 | | | | | | | | |



TIN LEAD PART NUMBER

| SHELL | A±0.38 | B±0.12 | C±0.10 | D±0.25 | E±0.07 | PART NUMBER |
|-------|--------|--------|--------|--------|--------|--------------|
| 09 | 30.81 | 24.99 | 16.96 | 16.21 | 10.96 | D09S24A.GX00 |
| 15 | 39.14 | 33.32 | 25.18 | 24.54 | 19.18 | D15S24A.GX00 |
| 25 | 53.03 | 47.04 | 39.12 | 38.25 | 33.12 | D25S24A.GX00 |
| 37 | 69.32 | 63.50 | 55.68 | 54.71 | 49.68 | D37S24A.GX00 |

Plating: 4 --> flash AU
Plating: 6 --> 0.76µ AU

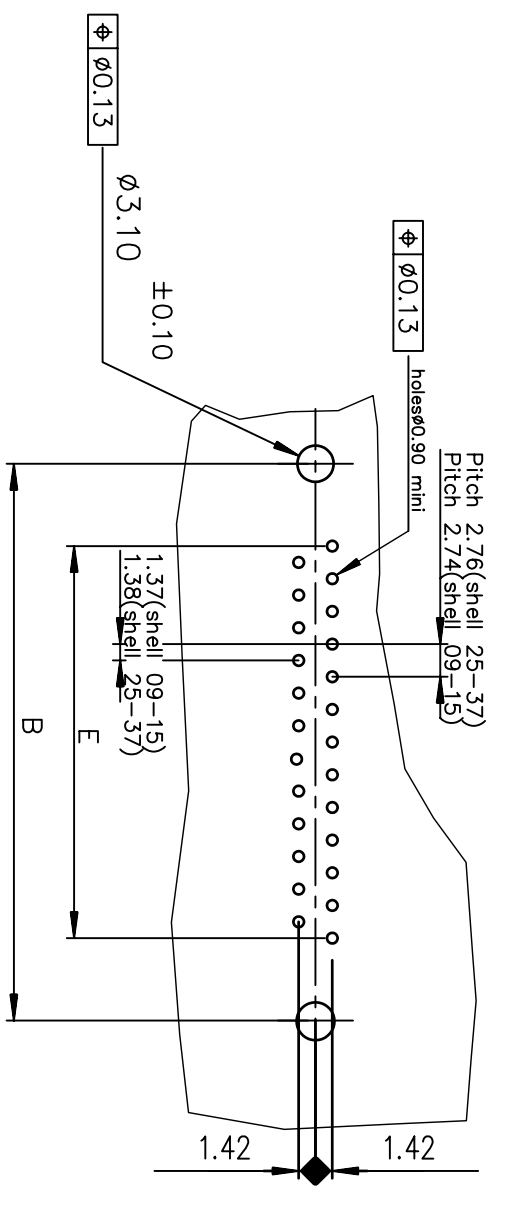
LEAD FREE PART NUMBER

| SHELL | A±0.38 | B±0.12 | C±0.10 | D±0.25 | E±0.07 | PART NUMBER |
|-------|--------|--------|--------|--------|--------|----------------|
| 09 | 30.81 | 24.99 | 16.96 | 16.21 | 10.96 | D09S24A.GX00LF |
| 15 | 39.14 | 33.32 | 25.18 | 24.54 | 19.18 | D15S24A.GX00LF |
| 25 | 53.03 | 47.04 | 39.12 | 38.25 | 33.12 | D25S24A.GX00LF |
| 37 | 69.32 | 63.50 | 55.68 | 54.71 | 49.68 | D37S24A.GX00LF |

←

Plating: 4 --> flash AU
Plating: 6 --> 0.76µ AU

PC card drilling dimensions(after plating)
(thickness 1.60±0.20mm)



GENERAL CHARACTERISTICS AND ROHS INFORMATIONS:
SEE DRAWING C01-8646-0000

www.fciconnect.com

| | | | | | | | | | | | |
|------|---------------|------------|----------------|-------|------|------|----|------------|----|-------|---|
| Dr | JOURBERT | 1996/09/10 | ANGULAR | 0.X | ±0.1 | size | A3 | projection | mm | Scale | 2 |
| Eng | PESSON | 1996/09/10 | LINEAR | 0.XX | ±0.1 | | | | | | |
| Chr | NIRMAL GEORGE | 2010-02-23 | 0.XX' ±2 | 0.XXX | ±0.1 | | | | | | |
| Appr | SUDHIR VARMA | 2010-02-23 | Product family | | | | | | | | |

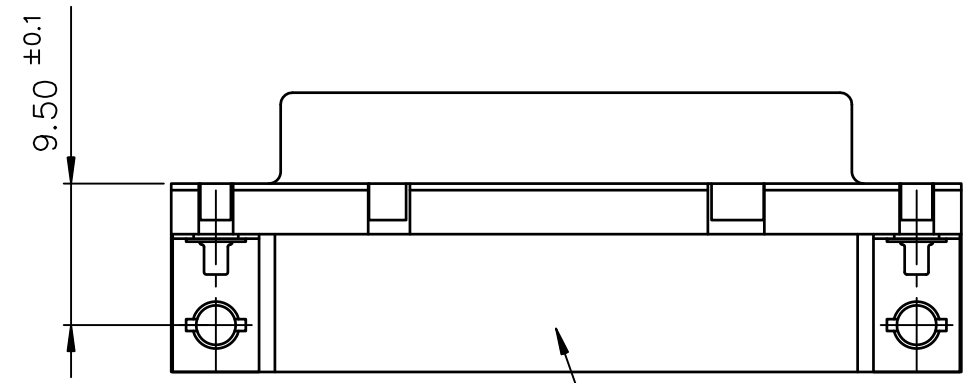
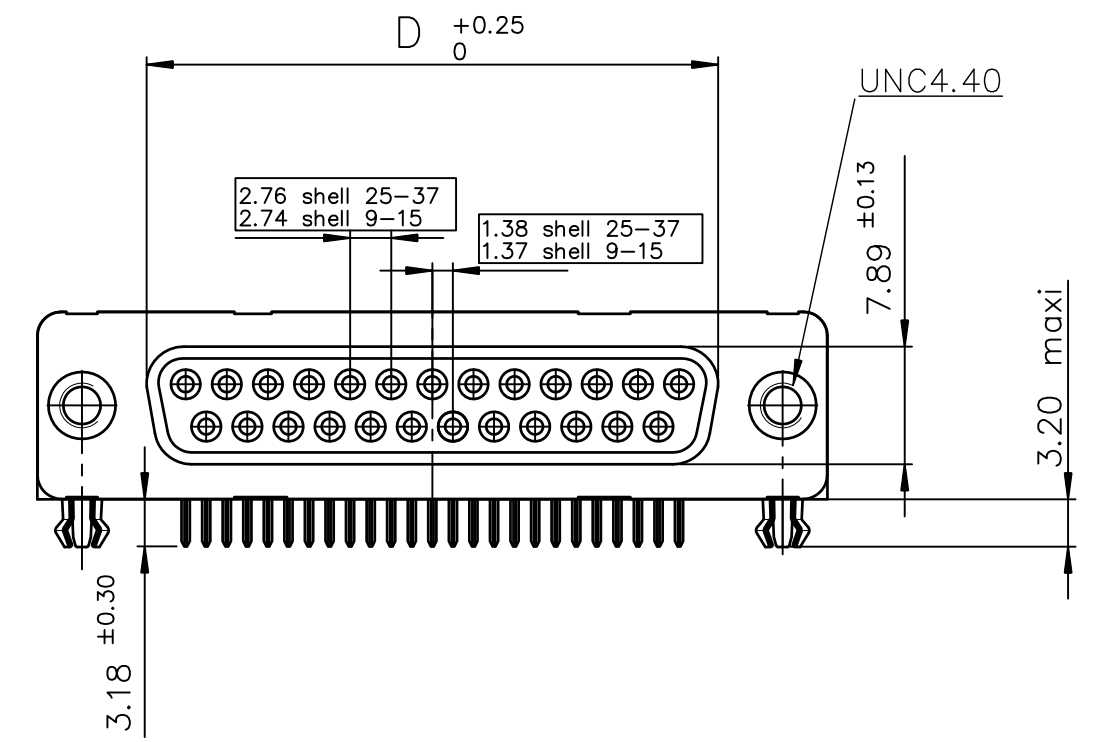
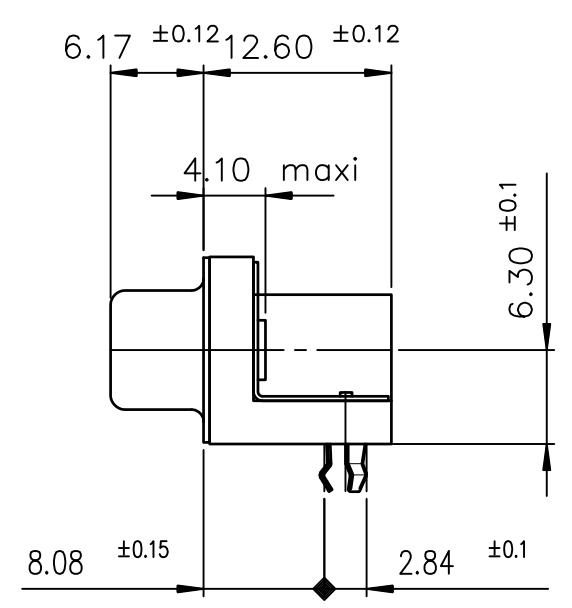
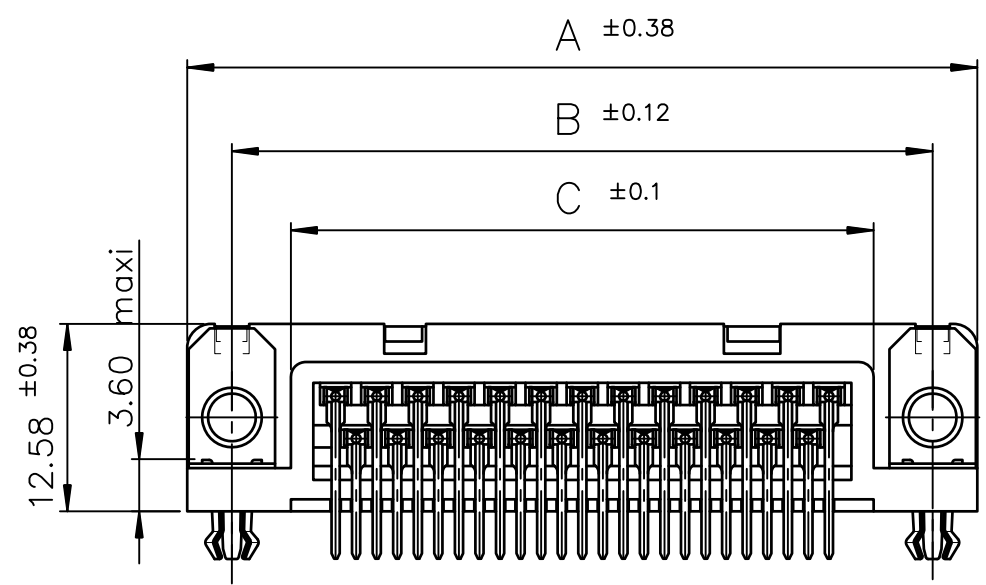
FCI FEMALE CONNECTOR STD EURO
straight solder type for

C01-8646-0495

CUSTOMER sheet 1 of 1



Copyright FCI.

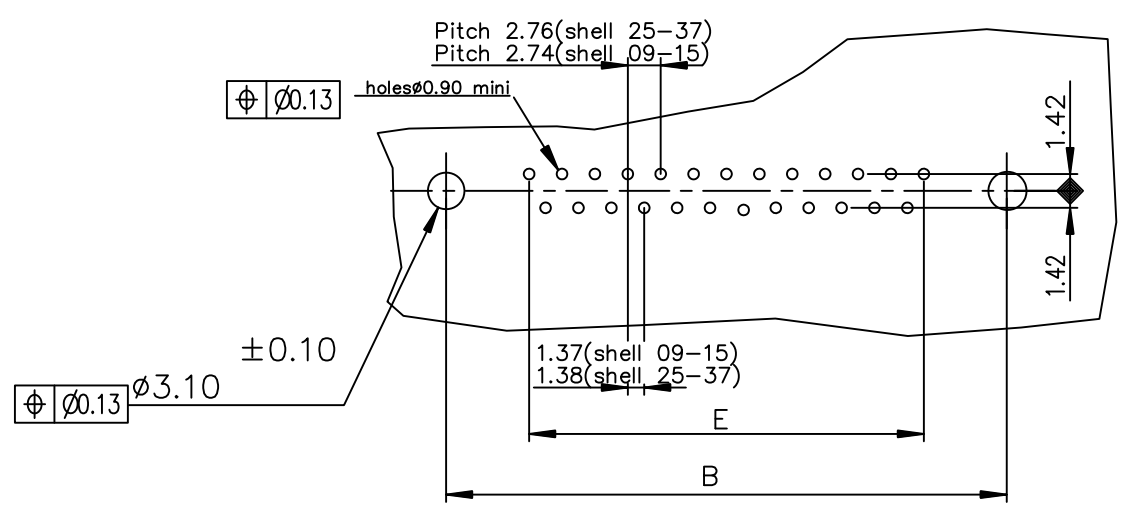


PART NUMBER

| SHELL | A±0.38 | B±0.12 | C±0.10 | D±0.25 | E±0.07 | 200 Mating cycles | 500 Mating cycles |
|-------|--------|--------|--------|--------|--------|-------------------|-------------------|
| 09 | 30.81 | 24.99 | 16.96 | 16.21 | 10.96 | D09S33E4GX00** | D09S33E6GX00** |
| 15 | 39.14 | 33.32 | 25.18 | 24.54 | 19.18 | D15S33E4GX00** | D15S33E6GX00** |
| 25 | 53.03 | 47.04 | 39.12 | 38.25 | 33.12 | D25S33E4GX00** | D25S33E6GX00** |
| 37 | 69.32 | 63.50 | 55.68 | 54.71 | 49.68 | D37S33E4GX00** | D37S33E6GX00** |

LF FOR LEAD FREE

PC card drilling dimensions(after plating)
(thickness 1.60±0.20mm)



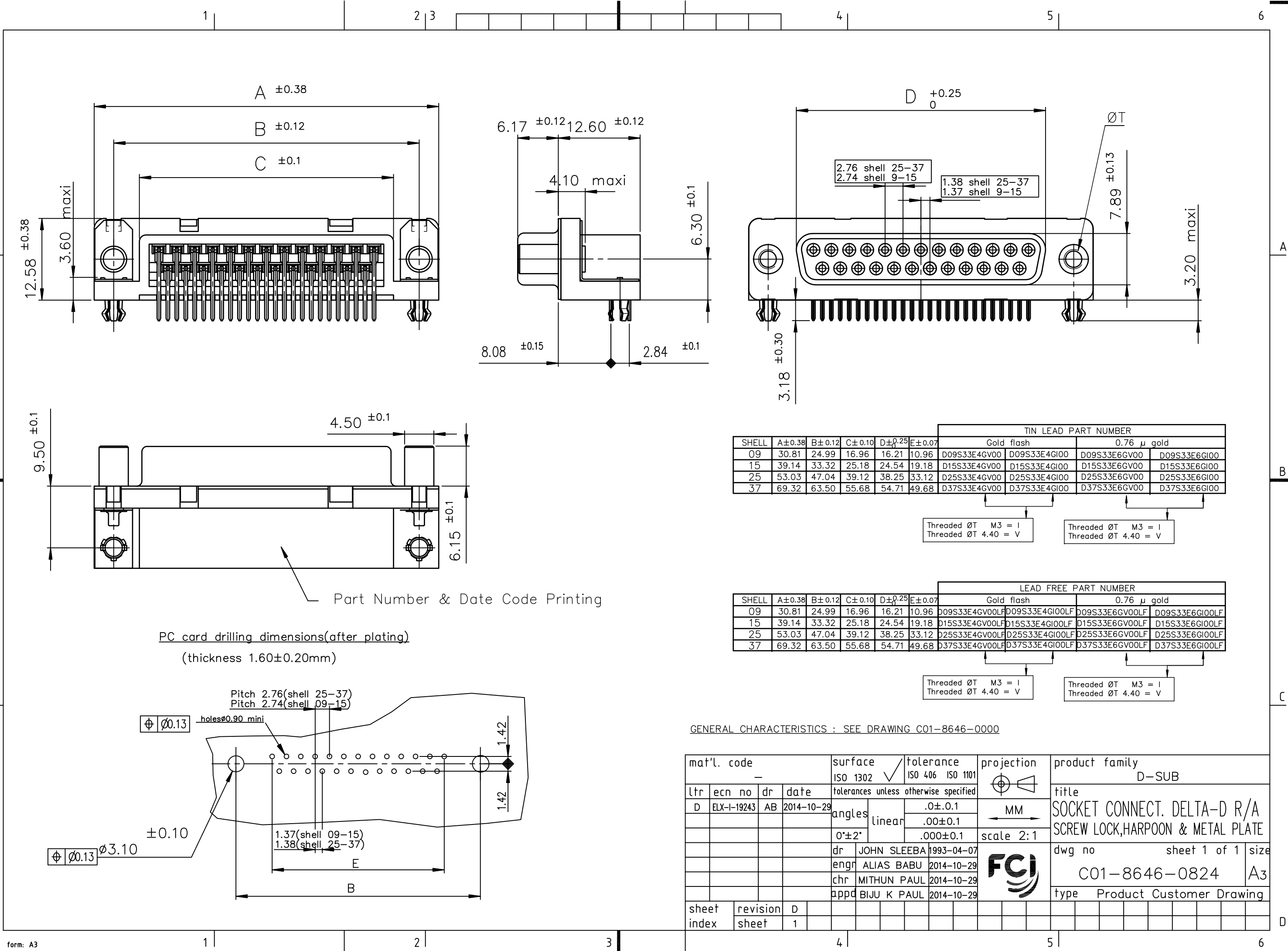
GENERAL CHARACTERISTICS : SEE DRAWING C01-8646-0000

| | | | | | | | | | | | |
|-----------------------------|--|----------------|--|---------------------------------------|--|-------------------------------|--|---------------|--|--|--|
| mat'l. code | | | | surface ISO 1302 ✓ | | tolerance ISO 406 ISO 1101 | | projection | | product family D-SUB | |
| - | | | | tolerances unless otherwise specified | | | | MM | | title | |
| D ELX-I-19243 AB 2014-10-29 | | | | angles linear | | .0±.01 .00±0.1 .000±0.1 | | scale 2:1 | | SOCKET CONNECT. DELTA-D R/A WITH NUT, HARPOON & METAL PLATE | |
| | | | | dr JOHN SLEEBA 1994-10-14 | | | | dwg no | | sheet 1 of 1 size | |
| | | | | enr ALIAS BABU 2014-10-29 | | | | C01-8646-0823 | | A3 | |
| | | | | chr MITHUN PAUL 2014-10-29 | | | | type | | Product Customer Drawing | |
| | | | | app BIJU K PAUL 2014-10-29 | | | | | | | |
| sheet index | | revision sheet | | D 1 | | | | | | | |



FCIconnect.com

Copyright FCI



| SHELL | TIN LEAD PART NUMBER | | | | | Gold flash | | | | 0.76 µ gold | | | |
|-------|----------------------|--------|--------|--------|--------|--------------|--|--------------|--|--------------|--|--------------|--|
| | A±0.38 | B±0.12 | C±0.10 | D±0.25 | E±0.07 | D09S33E4GV00 | | D09S33E4GI00 | | D09S33E6GV00 | | D09S33E6GI00 | |
| 09 | 30.81 | 24.99 | 16.96 | 16.21 | 10.96 | D09S33E4GV00 | | D09S33E4GI00 | | D09S33E6GV00 | | D09S33E6GI00 | |
| 15 | 39.14 | 33.32 | 25.18 | 24.54 | 19.18 | D15S33E4GV00 | | D15S33E4GI00 | | D15S33E6GV00 | | D15S33E6GI00 | |
| 25 | 53.03 | 47.04 | 39.12 | 38.25 | 33.12 | D25S33E4GV00 | | D25S33E4GI00 | | D25S33E6GV00 | | D25S33E6GI00 | |
| 37 | 69.32 | 63.50 | 55.68 | 54.71 | 49.68 | D37S33E4GV00 | | D37S33E4GI00 | | D37S33E6GV00 | | D37S33E6GI00 | |

Threaded ØT M3 = I
Threaded ØT 4.40 = V

| SHELL | LEAD FREE PART NUMBER | | | | | Gold flash | | | | 0.76 µ gold | | | |
|-------|-----------------------|--------|--------|--------|--------|----------------|--|----------------|--|----------------|--|----------------|--|
| | A±0.38 | B±0.12 | C±0.10 | D±0.25 | E±0.07 | D09S33E4GV00LF | | D09S33E4GI00LF | | D09S33E6GV00LF | | D09S33E6GI00LF | |
| 09 | 30.81 | 24.99 | 16.96 | 16.21 | 10.96 | D09S33E4GV00LF | | D09S33E4GI00LF | | D09S33E6GV00LF | | D09S33E6GI00LF | |
| 15 | 39.14 | 33.32 | 25.18 | 24.54 | 19.18 | D15S33E4GV00LF | | D15S33E4GI00LF | | D15S33E6GV00LF | | D15S33E6GI00LF | |
| 25 | 53.03 | 47.04 | 39.12 | 38.25 | 33.12 | D25S33E4GV00LF | | D25S33E4GI00LF | | D25S33E6GV00LF | | D25S33E6GI00LF | |
| 37 | 69.32 | 63.50 | 55.68 | 54.71 | 49.68 | D37S33E4GV00LF | | D37S33E4GI00LF | | D37S33E6GV00LF | | D37S33E6GI00LF | |

Threaded ØT M3 = I
Threaded ØT 4.40 = V

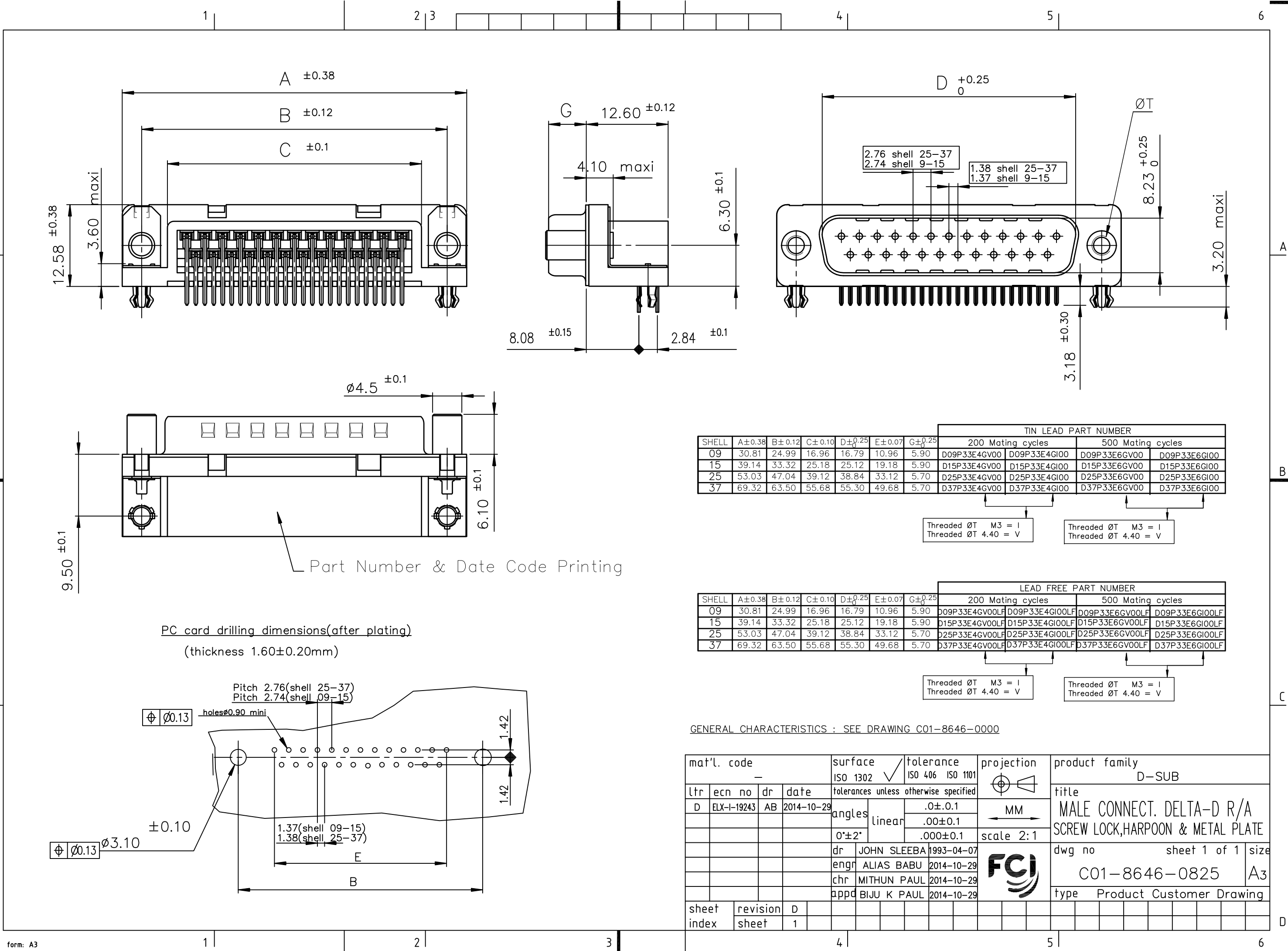
GENERAL CHARACTERISTICS : SEE DRAWING C01-8646-0000

| | | | | | | | | | |
|-------------|----------------|------------------|------------|---------------------------------------|--|------------|--|-----------------------------------|--|
| mat'l. code | | surface ISO 1302 | | tolerance ISO 406 ISO 1101 | | projection | | product family | |
| - | | ✓ | | ISO 406 ISO 1101 | | MM | | D-SUB | |
| ltr | ecn no | dr | date | tolerances unless otherwise specified | | | | title | |
| D | ELX-I-19243 | AB | 2014-10-29 | angles linear | | | | SOCKET CONNECT. DELTA-D R/A | |
| | | | | 0°±2' | | | | SCREW LOCK, HARPOON & METAL PLATE | |
| | | | | dr JOHN SLEEBA 1993-04-07 | | | | dwg no sheet 1 of 1 size | |
| | | | | enr ALIAS BABU 2014-10-29 | | | | C01-8646-0824 A3 | |
| | | | | chr MITHUN PAUL 2014-10-29 | | | | type Product Customer Drawing | |
| | | | | app BIJU K PAUL 2014-10-29 | | | | | |
| sheet index | revision sheet | D | 1 | | | | | | |



FCIconnect.com

Copyright FCI



| TIN LEAD PART NUMBER | | | | | | | | | | | |
|----------------------|--------|--------|--------|--------|--------|--------|-------------------|--------------|-------------------|--------------|--|
| SHELL | A±0.38 | B±0.12 | C±0.10 | D±0.25 | E±0.07 | G±0.25 | 200 Mating cycles | | 500 Mating cycles | | |
| 09 | 30.81 | 24.99 | 16.96 | 16.79 | 10.96 | 5.90 | D09P33E4GV00 | D09P33E4GI00 | D09P33E6GV00 | D09P33E6GI00 | |
| 15 | 39.14 | 33.32 | 25.18 | 25.12 | 19.18 | 5.90 | D15P33E4GV00 | D15P33E4GI00 | D15P33E6GV00 | D15P33E6GI00 | |
| 25 | 53.03 | 47.04 | 39.12 | 38.84 | 33.12 | 5.70 | D25P33E4GV00 | D25P33E4GI00 | D25P33E6GV00 | D25P33E6GI00 | |
| 37 | 69.32 | 63.50 | 55.68 | 55.30 | 49.68 | 5.70 | D37P33E4GV00 | D37P33E4GI00 | D37P33E6GV00 | D37P33E6GI00 | |

Threaded ØT M3 = I
Threaded ØT 4.40 = V

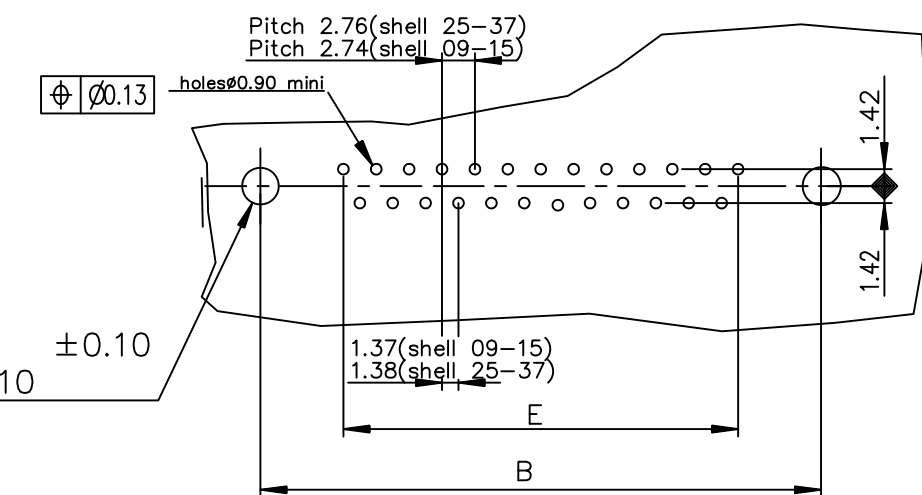
Threaded ØT M3 = I
Threaded ØT 4.40 = V

| LEAD FREE PART NUMBER | | | | | | | | | | | |
|-----------------------|--------|--------|--------|--------|--------|--------|-------------------|----------------|-------------------|----------------|--|
| SHELL | A±0.38 | B±0.12 | C±0.10 | D±0.25 | E±0.07 | G±0.25 | 200 Mating cycles | | 500 Mating cycles | | |
| 09 | 30.81 | 24.99 | 16.96 | 16.79 | 10.96 | 5.90 | D09P33E4GV00LF | D09P33E4GI00LF | D09P33E6GV00LF | D09P33E6GI00LF | |
| 15 | 39.14 | 33.32 | 25.18 | 25.12 | 19.18 | 5.90 | D15P33E4GV00LF | D15P33E4GI00LF | D15P33E6GV00LF | D15P33E6GI00LF | |
| 25 | 53.03 | 47.04 | 39.12 | 38.84 | 33.12 | 5.70 | D25P33E4GV00LF | D25P33E4GI00LF | D25P33E6GV00LF | D25P33E6GI00LF | |
| 37 | 69.32 | 63.50 | 55.68 | 55.30 | 49.68 | 5.70 | D37P33E4GV00LF | D37P33E4GI00LF | D37P33E6GV00LF | D37P33E6GI00LF | |

Threaded ØT M3 = I
Threaded ØT 4.40 = V

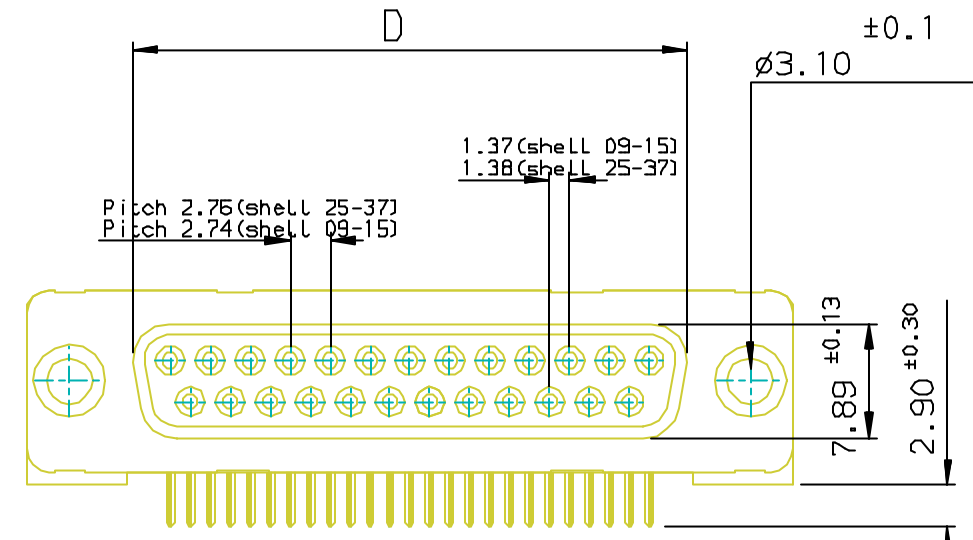
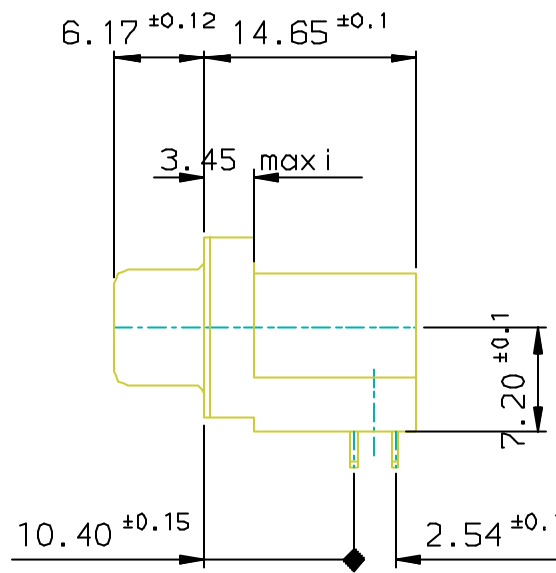
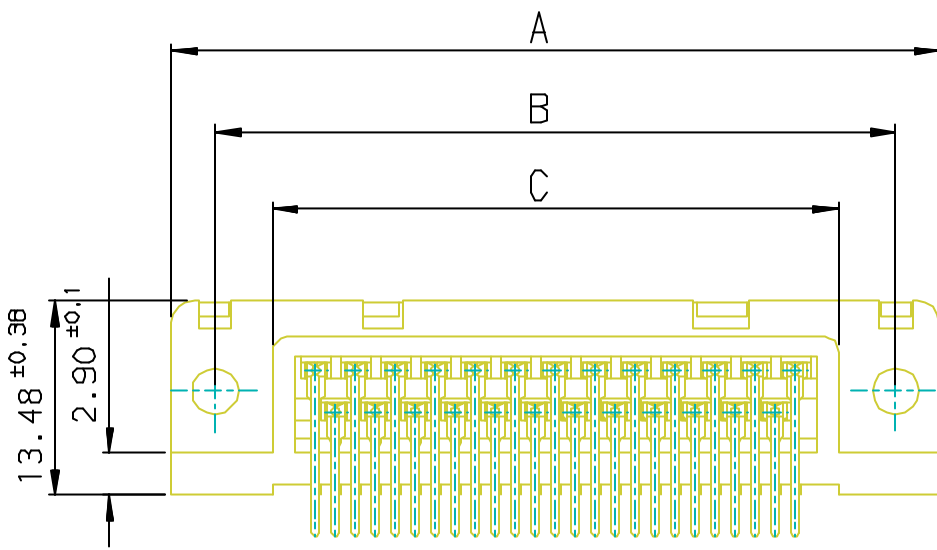
Threaded ØT M3 = I
Threaded ØT 4.40 = V

PC card drilling dimensions(after plating)
(thickness 1.60±0.20mm)

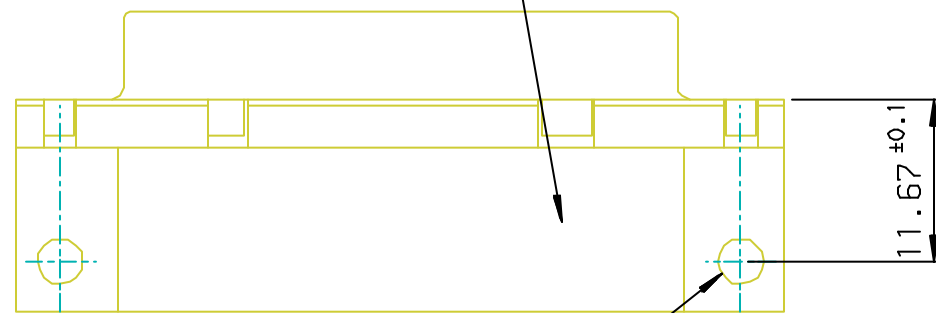


GENERAL CHARACTERISTICS : SEE DRAWING C01-8646-0000

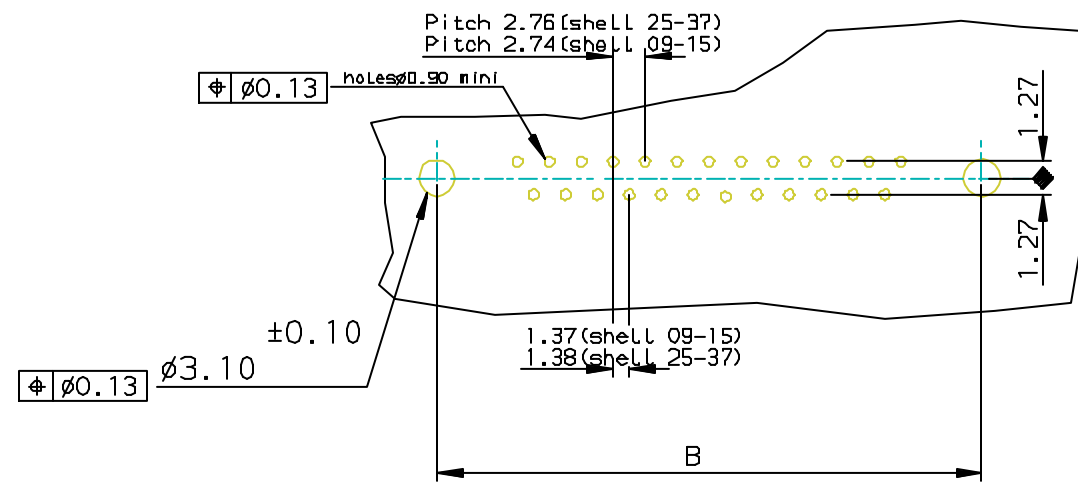
| | | | | | | | | | |
|-------------|-------------|------------|------------|---------------------------------------|-------------|------------|-----------|-----------------------------------|--|
| mat'l. code | | surface | | tolerance | | projection | | product family | |
| - | | ISO 1302 ✓ | | ISO 406 ISO 1101 | | | | D-SUB | |
| ltr | ecn no | dr | date | tolerances unless otherwise specified | | | | title | |
| D | ELX-I-19243 | AB | 2014-10-29 | angles | linear | .0±.0.1 | | MALE CONNECT. DELTA-D R/A | |
| | | | | 0°±2' | | .00±.0.1 | | SCREW LOCK, HARPOON & METAL PLATE | |
| | | | | | | .000±0.1 | scale 2:1 | dwg no | |
| | | | | dr | JOHN SLEEBA | 1993-04-07 | | sheet 1 of 1 | |
| | | | | enr | ALIAS BABU | 2014-10-29 | | size | |
| | | | | chr | MITHUN PAUL | 2014-10-29 | | A3 | |
| | | | | app | BIJU K PAUL | 2014-10-29 | | type Product Customer Drawing | |
| sheet index | revision | D | | | | | | | |
| | sheet | 1 | | | | | | | |



Part Number & Date Code Printing



PC card drilling dimensions (after plating)
(thickness 1.60±0.20mm)



| SHELL | A±0.38 | B±0.12 | C±0.10 | D±0.25 | PART NUMBER | |
|-------|--------|--------|--------|--------|----------------|----------------|
| 09 | 30.81 | 24.99 | 16.96 | 16.21 | -- | D09S13A6PA00** |
| 15 | 39.14 | 33.32 | 25.18 | 24.54 | -- | D15S13A6PA00** |
| 25 | 53.03 | 47.04 | 39.12 | 38.25 | -- | D25S13A6PA00** |
| 37 | 69.32 | 63.50 | 55.68 | 54.71 | D37S13A4PA00** | D37S13A6PA00** |

GENERAL CHARACTERISTICS : SEE DRAWING C01-8646-0000

LF FOR LEAD FREE



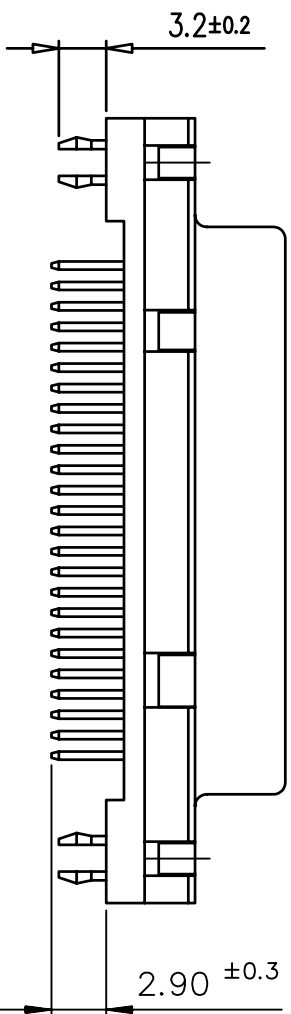
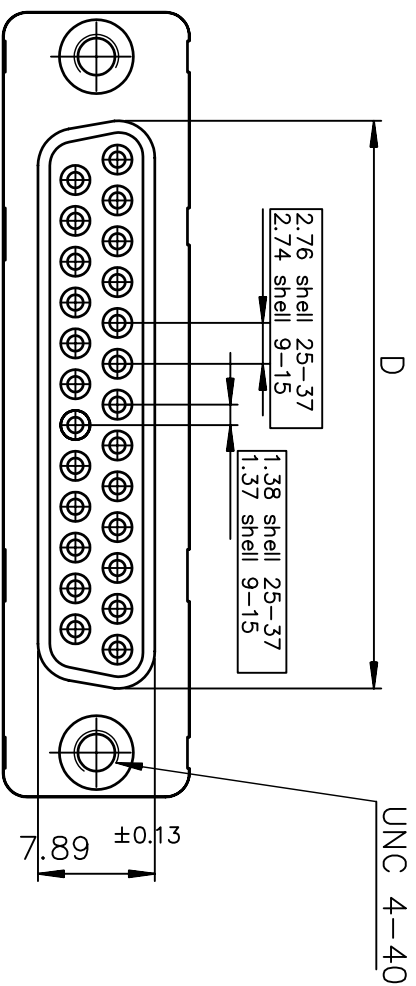
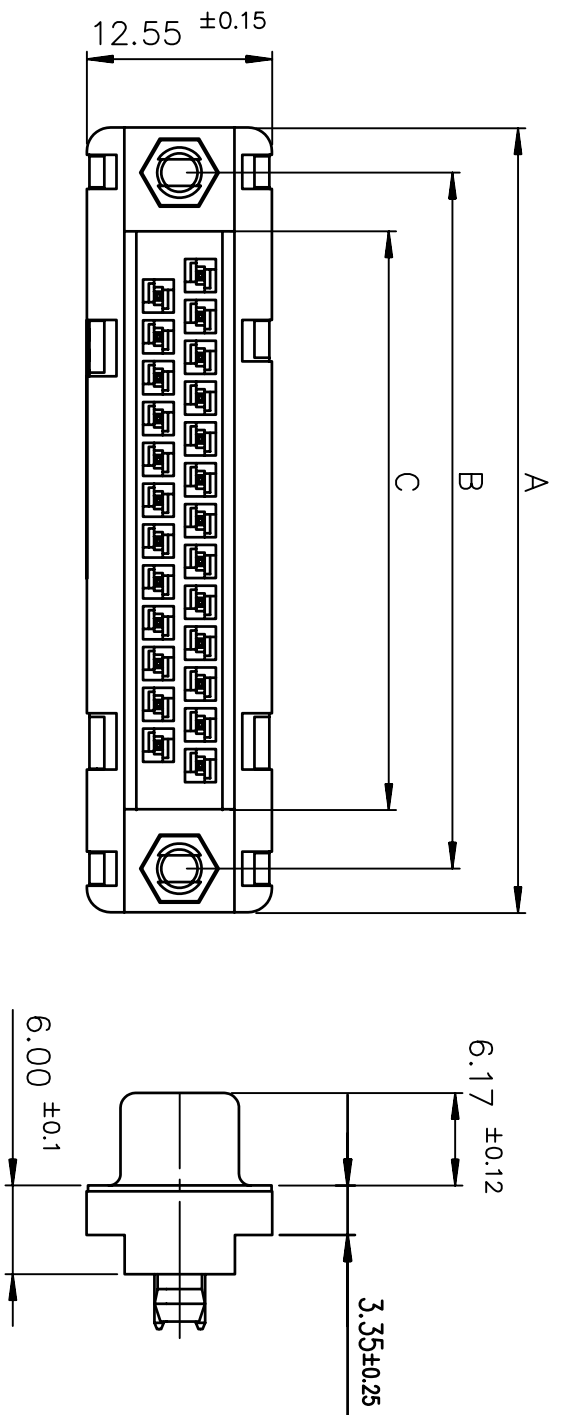
Copyright FCI.

European Views

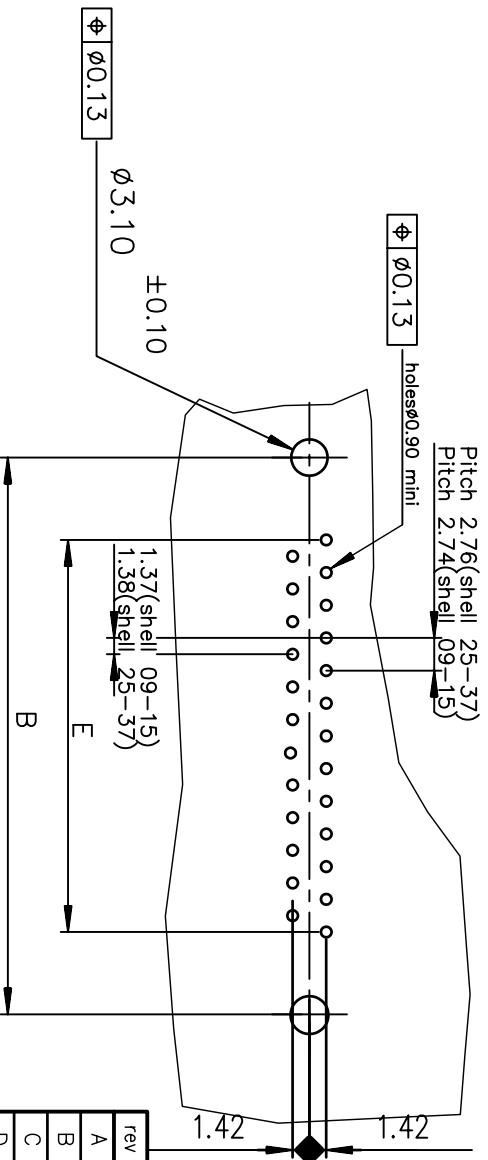
| | | | | |
|---------------------------------------|-------------|---|-----------------------------------|-------------------------|
| www.fciconnect.com | | surface ISO 1302 ✓ | tolerance std ISO 406 ISO 1101 | projection mm |
| TOLERANCES UNLESS OTHERWISE SPECIFIED | | | | |
| Dr | JOHN SLEEBA | 1994/08/16 | ANGULAR | size A3 |
| Eng | GEORGE VJ | 1994/08/16 | LINEAR | Scale 1:1 |
| Chr | GEORGE VJ | 2005/07/27 | 0.XX ±1° | ECN - |
| Appr | KVSD | 2005/07/27 | Product family | Spec ref - |
| FCI | | title SOCKET CONNECT. DELTA D right angle spill without accessories | | Rev. C |
| catalog no | | DELTA-D | | dwg no C01-8646-0832 |
| | | CUSTOMER | | sheet 1 of 1 |

| rev | ech no | dr | date |
|-----|----------|----|------------|
| B | 105-0124 | JS | 2005/07/27 |
| C | 106-0074 | SK | 2006/06/08 |
| - | - | - | - |
| - | - | - | - |
| - | - | - | - |
| - | - | - | - |

REV F - 2006-04-17



PC card drilling dimensions(after plating)
(thickness 1.60±0.20mm)



| rev | ecn no | dr | date |
|-----|-----------|-----|------------|
| A | - | BAR | 2003/04/17 |
| B | LS05-001 | MPE | 2005/03/14 |
| C | LS05-0056 | MPE | 2005/06/30 |
| D | LS06-0097 | LGO | 2006/07/28 |
| E | I10-0059 | NG | 2010-02-23 |

| TIN LEAD PART NUMBER | SHELL | A±0.38 | B±0.12 | C±0.10 | D±0.25 | E±0.07 | PART NUMBER |
|----------------------|-------|--------|--------|--------|--------|--------|--------------|
| 09 | 30.81 | 24.99 | 16.96 | 16.21 | 10.96 | | D09S24A6GX00 |
| 15 | 39.14 | 33.32 | 25.18 | 24.54 | 19.18 | | D15S24A6GX00 |
| 25 | 53.03 | 47.04 | 39.12 | 38.25 | 33.12 | | D25S24A6GX00 |
| 37 | 69.32 | 63.50 | 55.68 | 54.71 | 49.68 | | D37S24A6GX00 |

| LEAD FREE PART NUMBER | SHELL | A±0.38 | B±0.12 | C±0.10 | D±0.25 | E±0.07 | PART NUMBER |
|-----------------------|-------|--------|--------|--------|--------|--------|----------------|
| 09 | 30.81 | 24.99 | 16.96 | 16.21 | 10.96 | | D09S24A6GX00LF |
| 15 | 39.14 | 33.32 | 25.18 | 24.54 | 19.18 | | D15S24A6GX00LF |
| 25 | 53.03 | 47.04 | 39.12 | 38.25 | 33.12 | | D25S24A6GX00LF |
| 37 | 69.32 | 63.50 | 55.68 | 54.71 | 49.68 | | D37S24A6GX00LF |

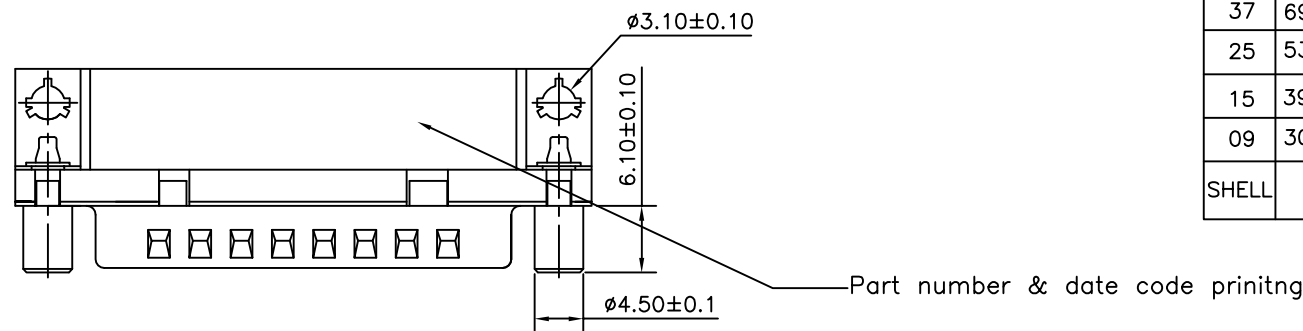
GENERAL CHARACTERISTICS AND ROHS INFORMATIONS:
SEE DRAWING C01-8646-0000

www.fciconnect.com

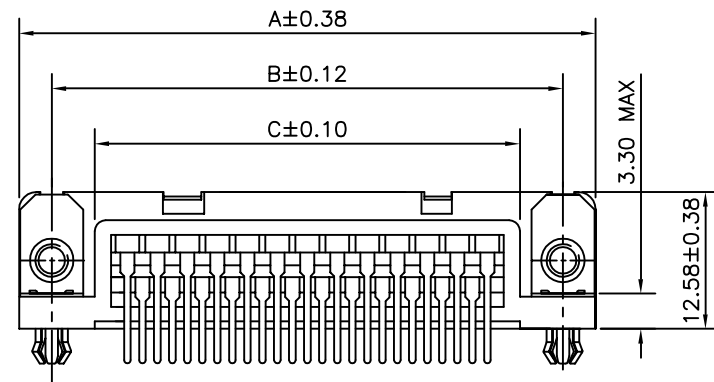
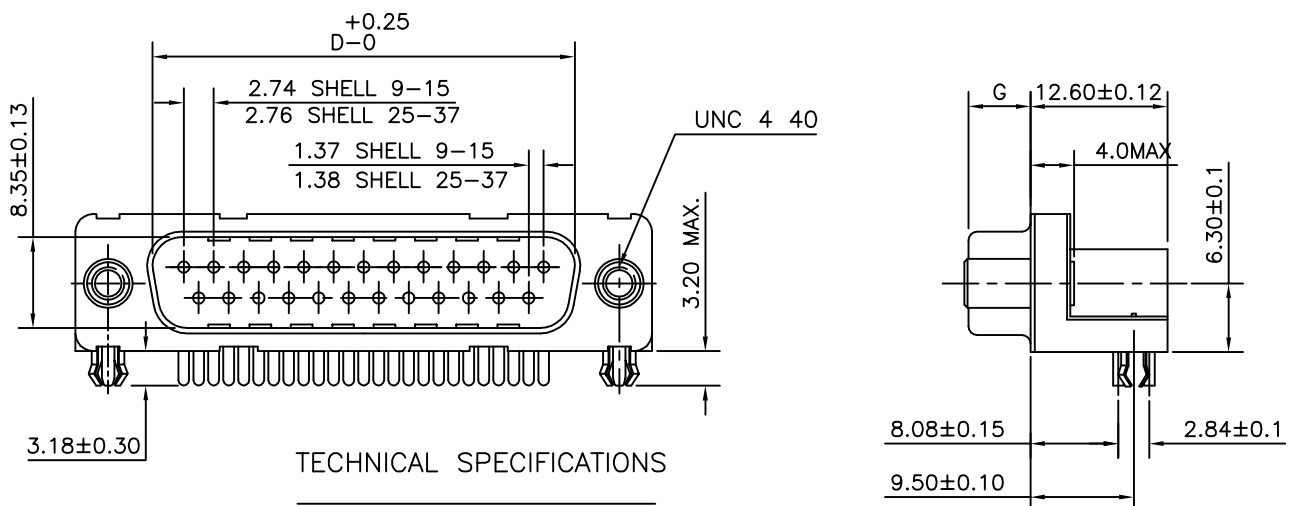
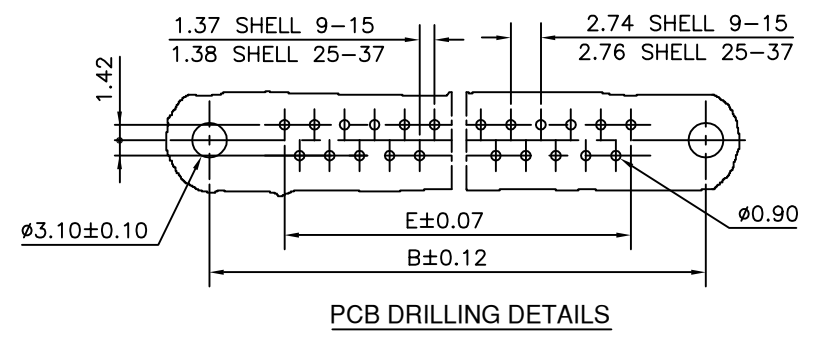
| Dr | JOURBERT | 1996/09/10 | ANGULAR | tolerance std | ISO 1302 | ISO 406 ISO 1101 | projection | Scale |
|------|---------------|------------|----------------|---------------|----------|------------------|------------|--------------|
| Eng | PESSON | 1996/09/10 | ANGULAR | 0.X | ✓ | ISO 1101 | mm | 2 |
| Chr | NIRMAL GEORGE | 2010-02-23 | LINEAR | 0.XX | | | | A3 |
| Appr | SUDHIR VARMA | 2010-02-23 | Product family | 0.XXX | | | | ECN 110-0059 |

FCI FEMALE CONNECTOR STD EURO
straight solder type for

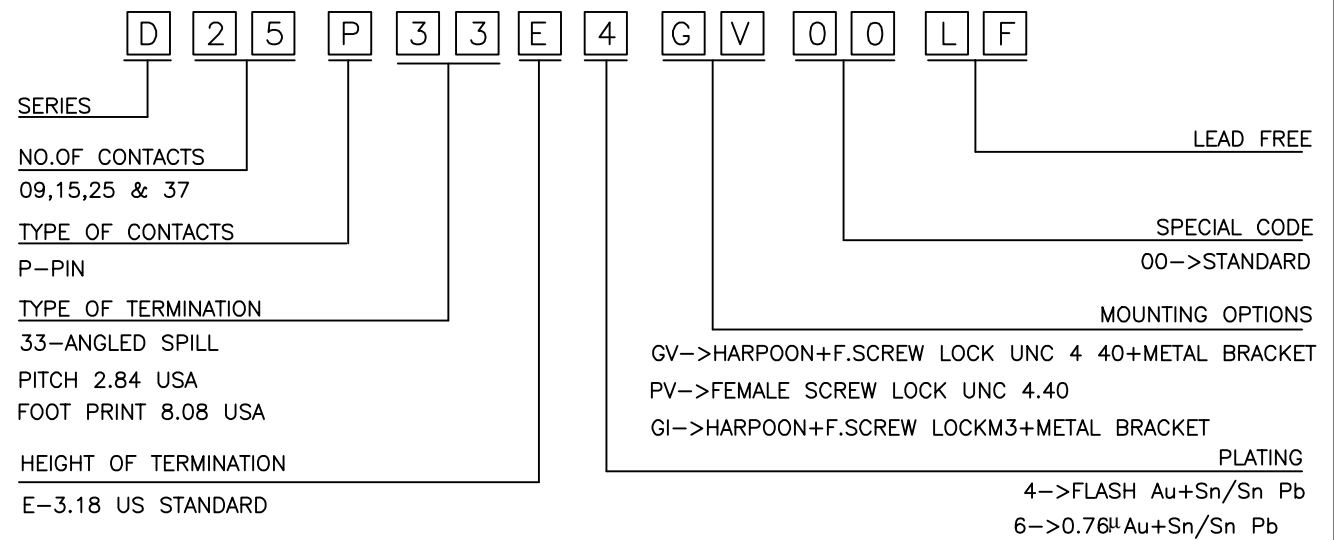
Rev. **E**
C01-8646-0834
CUSTOMER sheet 1 of 1



| | | | | | | |
|-------|-------|-------|-------|-------|-------|-------------------------------------|
| 37 | 69.32 | 63.50 | 55.68 | 55.30 | 49.68 | 5.70 ^{+0.25} ₋₀ |
| 25 | 53.03 | 47.04 | 39.12 | 38.84 | 33.12 | 5.70 ^{+0.25} ₋₀ |
| 15 | 39.14 | 33.32 | 25.18 | 25.12 | 19.18 | 5.90 ^{+0.15} ₋₀ |
| 09 | 30.81 | 24.99 | 16.96 | 16.79 | 10.96 | 5.90 ^{+0.15} ₋₀ |
| SHELL | A | B | C | D | E | G |



ORDERING INFORMATION



MATERIAL

SHELL : STEEL TIN/Zinc Cr 3 PLATED.

INSULATORS : SELF EXTINGUISHING BLACK POLYESTER UL CLASS 94V0
THE HOUSING WILL WITHSTAND EXPOSURE TO 260-265°C
IF WE USE PROTECTIVE ADHESIVE (type Kapton or Teflon)
OR PROTECTIVE METALLIC DEVICE

CONTACTS : COPPER ALLOY

PLATING

ACTIVE ZONE : GOLD OVER NICKEL

TERMINATION ZONE : TIN LEAD OVER NICKEL

FOR LEAD FREE PLATING : 2 μ MIN.MATTE TIN TOP OVER
1.27 μ MIN.NICKEL UNDER PLATE(ON TERMINATION ZONE)

METAL BRACKET : BRASS,TIN/Zinc Cr 3 PLATED.

HARPOON : BRASS,TIN PLATED.

SCREW LOCK : BRASS,TIN/Zinc Cr3 PLATED.

ELECTRICAL DATA

MAX.CURRENT RATING : 5A

TEST VOLTAGE : 1000V

RATED VOLTAGE : 300V

CONTACT RESISTANCE : < 25mΩ

SHELL RESISTANCE : < 5mΩ

INSULATION RESISTANCE : > 5000MΩ

ENVIRONMENTAL CHARACTERISTICS

OPERATING TEMPERATURE RANGE : -55°C +125°C

MECHANICAL CHARACTERISTICS

MATING/UNMATING CYCLES (MIN) : 200 (FLASH Au); 500 (0.76μ Au)

INSERTION/EXTRACTION FORCE PER CONTACT : 5 N Max./ 0.3 N Min.

"This LF product meets European Union Directives and other country regulations as described in GS-22-008"

The housing will withstand exposure to 260°C peak temperature for 3.5 seconds in a wave solder application with a 1.6mm minimum thick circuit board.

Packaging as per GS-14-920

| | | | | | | | | | |
|-------------|--|---------------------------------------|--|------------------|--|----------------------------|--|---|--|
| mat'l. code | | surface | | tolerance | | projection | | product family | |
| SEE NOTE 4 | | ISO 1302 | | ISO 406 ISO 1101 | | | | DELTA-D | |
| | | tolerances unless otherwise specified | | | | MM | | title | |
| B 106-0074 | | GVJ 2006/06/08 | | angles | | linear | | DELTA-D A/S MALE CONNECTOR (GV VER.) | |
| | | | | 0°±1° | | .00±0.1 | | (WITH FEM.SCREW LOCK,HARPOON & METAL BRACKET) | |
| | | | | dr | | GEORGE.V.JOSEPH 1998/12/16 | | dwg no | |
| | | | | enrg | | GEORGE.V.JOSEPH 1998/12/16 | | sheet 1 of 1 | |
| | | | | chr | | GEORGE.V.JOSEPH 2006/06/22 | | size | |
| | | | | appd | | K_V_SIVADAS 2006/06/22 | | A3 | |
| sheet index | | revision sheet | | B 1 | | | | C-DD-0088 | |
| | | | | | | | | type Product Customer Drawing | |



Copyright FCI