



HCMOS 5x3.2mm SMD Oscillator

O5HL

(former F530LA Series)

DATASHEET

- Low Input Current
- Stabilities to ± 20 PPM
- Temperature Ranges to -40°C to $+85^{\circ}\text{C}$
- Supply Voltage: 3.3V

3.3V ELECTRICAL CHARACTERISTICS

PARAMETERS	MAX (unless otherwise noted)
Frequency Range (F_0)	1.800 ~ 50.000MHz
Storage Temperature Range (T_{STG})	$-55 \sim +125^{\circ}\text{C}$
Supply Voltage (V_{DD})	3.3V $\pm 5\%$
Input Current (I_{DD})	
1.800 ~ 32.000MHz	2.5mA
32.000+ ~ 50.000MHz	3.5mA
Standby Current	10 μA
Output Symmetry (50% V_{DD})	45% ~ 55%
Rise/Fall Time (10%/90% V_{DD} Levels) (T_R/T_F)	12nS
Output Voltage (V_{OL})	10% V_{DD}
(V_{OH})	90% V_{DD} Min
Output Load (HCMOS)	15pF
Start-up Time (T_S)	5mS
Output Disable Time ¹	150nS
Output Enable Time ¹	5mS

ENABLE / DISABLE FUNCTION

Pin1	Output (pin 3)
OPEN ¹	Active
'1' Level $V_{IH} \geq 70\%V_{DD}$	Active
'0' Level $V_{IL} \leq 30\%V_{DD}$	High Z

• Available Options by Stability & Operating Temp

Frequency Stability	Operating Temperature ($^{\circ}\text{C}$)	Frequency Range (MHz)
$\pm 100\text{PPM}^2$	$-10 \sim +70$	1.800 ~ 50.000
$\pm 100\text{PPM}^2$	$-40 \sim +85$	1.800 ~ 50.000
$\pm 50\text{PPM}^2$	$-10 \sim +70$	1.800 ~ 50.000
$\pm 50\text{PPM}^2$	$-40 \sim +85$	1.800 ~ 50.000
$\pm 25\text{PPM}^2$	$-10 \sim +70$	1.800 ~ 50.000
$\pm 25\text{PPM}^3$	$-40 \sim +85$	1.800 ~ 50.000
$\pm 20\text{PPM}^3$	$-10 \sim +70$	1.800 ~ 50.000

¹ An internal pull-up resistor from pin 1 to pin 4 allows active output if pin 1 is left open.

² Inclusive of 25 $^{\circ}\text{C}$ tolerance, operating temperature range, input voltage change, load change, reflow, one-year aging, shock, and vibration.

³ Inclusive of 25 $^{\circ}\text{C}$ tolerance, operating temperature range.



Title / Description: O5HL SERIES STANDARD SPECIFICATIONS	
Drawing Number: O5HL-DOC-1	Size: A
Part Number:	Cage: 61429
Draftsperson: DG	Approved: BEC
Revision Date: 8/14/2019	



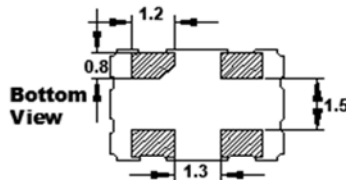
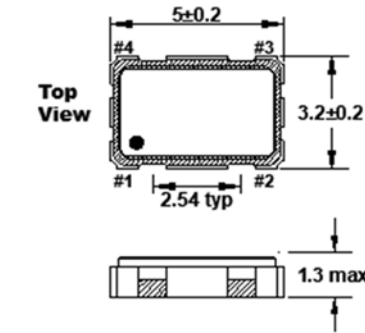
HCMOS 5x3.2mm SMD Oscillator

O5HL

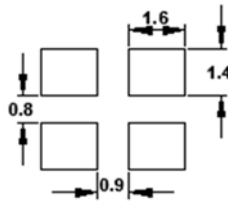
(former F530LA Series)

DATASHEET

DIMENSIONS / MECHANICAL SPECIFICATIONS



Recommended Solder Pad Layout



Dimensions in millimeters

Pin Connections

#1 E/D #3 Output
 #2 GND #4 VDD

Maximum Soldering Temp / Time	260°C / 10 Seconds x 2
Moisture Sensitivity Level (MSL)	1
Termination Finish	Au over Ni
Seal Method	Seam
Lead (Pb) Free	Yes
ROHS/REACH Compliant	Yes

Notes:

*A 0.01µF capacitor should be placed between V_{DD} (Pin 4) and GND (Pin2) to minimize power supply line noise.

*Dimensional drawing is for reference to critical specifications defined by size measurements.

Certain non-critical visual attributes, such as side castellations, reference pin shape, etc. may vary.

	Title / Description: O5HL SERIES STANDARD SPECIFICATIONS	
	Drawing Number: O5HL-DOC-1	Size: A
	Part Number:	Cage: 61429
	Draftsperson: DG	Approved: BEC
		Revision Date: 8/14/2019

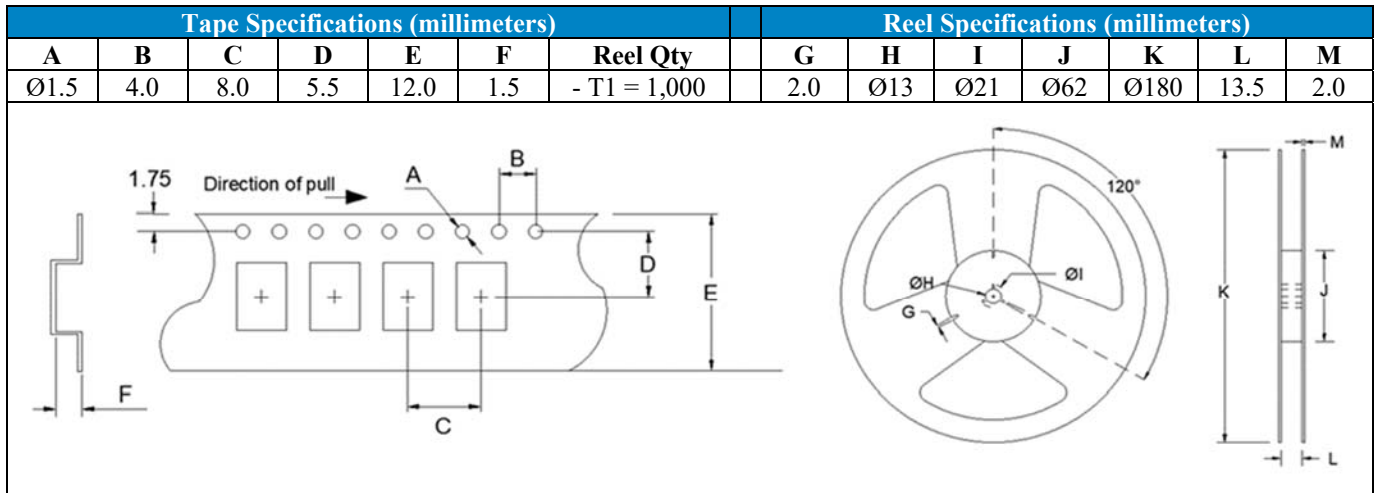


HCMOS 5x3.2mm SMD Oscillator

O5HL

(former F530LA Series)

DATASHEET



Available Options & Part Identification*

Example: F O5HL B B M 25.0

F	O5HL	B	B	M	25.0
Fox	Model Number	Voltage B = 3.3V±5%	Stability A = ±100 PPM B = ±50 PPM D = ±25 PPM E = ±20 PPM	Operating Temperature E = -10 to +70°C M = -40 to +85°C	Frequency

*Not all frequencies in the frequency range, or every combination of stability, temp range, and voltage available. See stabilities and op temps for each V_{DD}.



Corporate Headquarters
 5570 Enterprise Parkway
 Fort Myers, FL 33905
<http://www.FOXONLINE.com>

Sales
 1-888-GET-2-FOX (1-888-438-2369)
 or
 1-239-693-0099
<http://www.FOXONLINE.com/repdisty>

Tech Support
<http://www.FOXONLINE.com/email>

Product use: Fox Electronics reserves the right to modify the products and/or specifications described herein at any time and at Fox Electronics' sole discretion. All information in this document, including descriptions of product features and performance, is subject to change without notice. Performance specifications and the operating parameters of the described products are determined in the independent state and are not guaranteed to perform the same way when installed in customer products. The information contained herein is provided without representation or warranty of any kind, whether express or implied, including, but not limited to, the suitability of Fox Electronics' products for any particular purpose, an implied warranty of merchantability, or non-infringement of the intellectual property rights of others. This document is presented only as a guide and does not convey any license under intellectual property rights of Fox Electronics or any third parties.

Fox Electronics' products are not intended for use in applications involving extreme environmental conditions or in life support systems or similar devices where the failure or malfunction of a Fox Electronics product can be reasonably expected to significantly affect the health or safety of users. Anyone using a Fox Electronics product in such a manner does so at their own risk, absent an express, written agreement by Fox Electronics.

Fox Electronics and the Fox logo are registered trademarks of Fox Electronics. Product specification is subject to change without notice. Other trademarks and service marks used herein, including protected names, logos and designs, are the property of Fox Electronics or their respective third-party owners.

	Title / Description: O5HL SERIES STANDARD SPECIFICATIONS		
	Drawing Number: O5HL-DOC-1		Size: A
	Part Number:		Cage: 61429
	Draftsperson: DG	Approved: BEC	Revision Date: 8/14/2019

© Copyright 2019 Fox Electronics. All rights reserved