

Ceramic Resin Sealed SMD Crystal



Model: C8AC Formerly FC Series

RoHS Compliant / Pb Free

Rev. 07/10/2018

Page 1 of 2

http://www.foxonline.com/need_a_sample.htm

Need a
Sample®

FEATURES

- Low Cost
- Low Frequency (<7.2MHz)
- Resin Sealed
- Tape and Reel (1,000 pcs. STD)

OPTIONS

- Tolerances to < 20 PPM
- Stabilities to < 15 PPM
- Temperatures to -40°C ~ +85°C

PART NUMBER SELECTION

See available stabilities and operating temperatures on page 2.

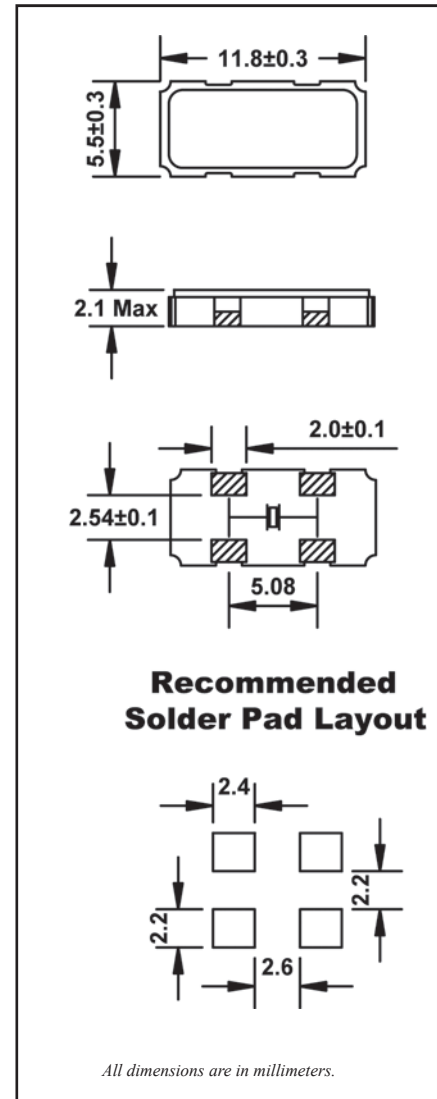
• STANDARD SPECIFICATIONS¹

PARAMETERS	MAX (unless otherwise noted)
Frequency Range	3.200 ~ 7.200 MHz
Frequency Tolerance @ 25°C	See options on page 2
Frequency Stability, ref @ 25°C Over Operating Temp Range	See options on page 2
Temperature Range	
Operating (TOPR)	-See options on page 2
Storage (TSTG)	-40°C ~ +85°C
Shunt Capacitance (Co)	7.0 pF
Load Capacitance (CL)	See options on page 2 (Customer Specified)
Drive Level	0.1 mW
Aging per year	±5 PPM

¹ Other stabilities & operating temperature ranges available. Consult Fox Customer Service for specific requirements.

All specifications subject to change without notice.

Frequency Range (MHz)	Operating Mode	Max ESR Ω
3.200 ~ 3.499	Fundamental	200
3.499+ ~ 3.999	Fundamental	140
3.999+ ~ 4.399	Fundamental	120
4.399+ ~ 4.899	Fundamental	100
4.899+ ~ 5.999	Fundamental	80
5.999+ ~ 6.999	Fundamental	60
6.999+ ~ 7.200	Fundamental	50



Ceramic Resin Sealed SMD Crystal



Model: C8AC Formerly FC Series

RoHS Compliant / Pb Free

Rev. 07/10/2018

Page 2 of 2

http://www.foxonline.com/need_a_sample.htm

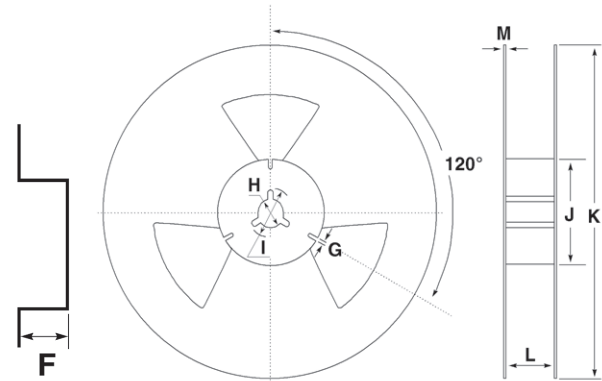
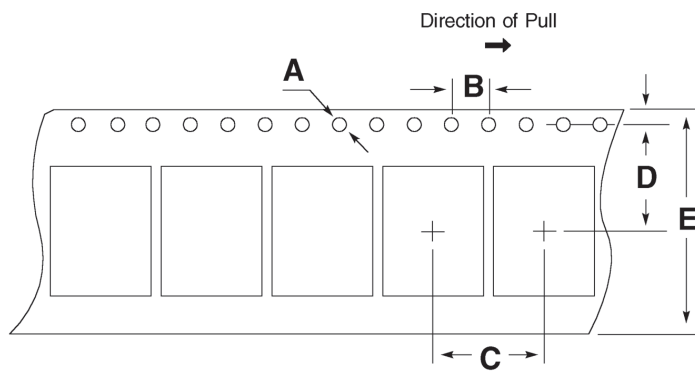
Need a Sample®

• TAPE SPECIFICATIONS (millimeters)

MODEL	A	B	C	D	E	F	STD Reel QTY
C8AC series	∅1.5	4.0	12.0	11.5	24.0	2.6	1,000

• REEL SPECIFICATIONS (millimeters)

MODEL	G	H	I	J	K	L	M
C8AC series	2.0	∅13	∅21	∅80	∅250	25.5	2.0



C8AC Series Available Options and Part Numbering

F C8AC 20.0						
F	C8AC	Select LTR	Select LTR	Select LTR	Select LTR	20.000
Fox	Model Number 11.8 x 5.5mm, 2-pad	Tolerance B = ±50 PPM C = ±30 PPM D = ±25 PPM E = ±20 PPM	Stability B = ±50 PPM C = ±30 PPM D = ±25 PPM E = ±20 PPM F = ±15 PPM	Ckt Condition A = Series G = 12pF J = 15pF L = 18pF M = 20pF N = 22pF P = 27pF	Operating Temp D = -10 to +60°C F = -20 to +70°C M = -40 to +85°C	Frequency

• Not all frequency, tolerance, stability, load, and operating temperature combinations may be available.