

Ceramic Resin Sealed SMD Crystal



Model: **C7AS** Formerly *FE Series*

RoHS Compliant / Pb Free

Rev. 07/10/2018

Page 1 of 2

http://www.foxonline.com/need_a_sample.htm



FEATURES

- Low Cost
- High Frequency Range
- Fundamental to 50 MHz (BT Cut)
- Resin Sealed
- Tape and Reel (2,000 pcs. STD)

OPTIONS

- Tolerances to < 20 PPM
- Stabilities to < 15 PPM
- Temperatures to -40°C ~ +85°C
- 1.4mm Height Max

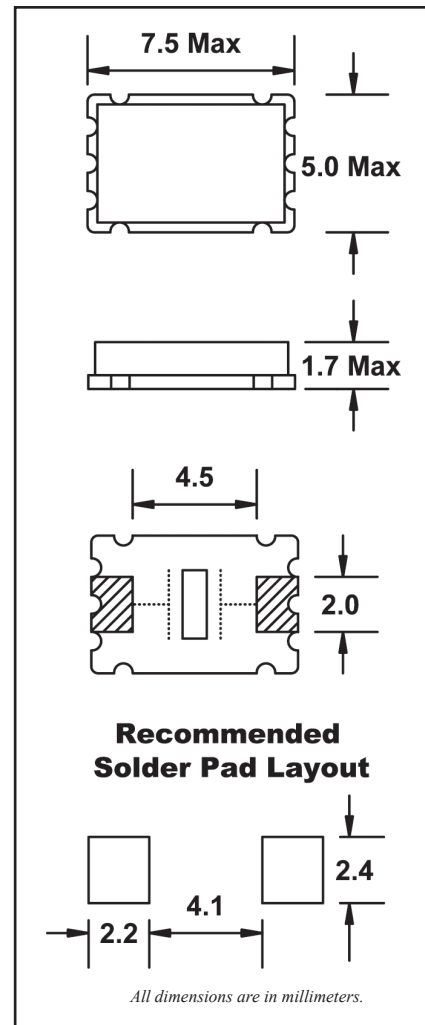
PART NUMBER SELECTION
See available stabilities and operating temperatures on page 2.

| • STANDARD SPECIFICATIONS ¹ | |
|--|---|
| PARAMETERS | MAX (unless otherwise noted) |
| Frequency Range | 6.000 ~ 160.000 MHz |
| Frequency Tolerance @ 25°C | See options on page 2 |
| Frequency Stability, ref @ 25°C Over Operating Temp Range | See options on page 2 |
| Temperature Range | |
| Operating (TOPR) | -See options page 2 |
| Storage (TSTG) | -40°C ~ +85°C |
| Shunt Capacitance (Co) | 7.0 pF |
| Load Capacitance (CL) | See options on page 2 (Customer Specified) |
| Drive Level | 0.5 mW |
| Aging per year | ±5 PPM |

¹ Other stabilities & operating temperature ranges available. Consult Fox Customer Service for specific requirements.

All specifications subject to change without notice.

| Frequency Range (MHz) | Operating Mode | Max ESR Ω |
|-----------------------|----------------|-----------|
| 6.000 ~ 8.000 | Fundamental | 80 |
| 8.000+ ~ 16.000 | Fundamental | 60 |
| 16.000+ ~ 50.000 | Fundamental | 40 |
| 28.000 ~ 84.000 | 3rd OT | 60 |
| 84.000+ ~ 160.000 | 5th OT | 80 |



Ceramic Resin Sealed SMD Crystal



Model: C7AS Formerly FE Series

RoHS Compliant / Pb Free

Rev. 07/10/2018

Page 2 of 2

http://www.foxonline.com/need_a_sample.htm

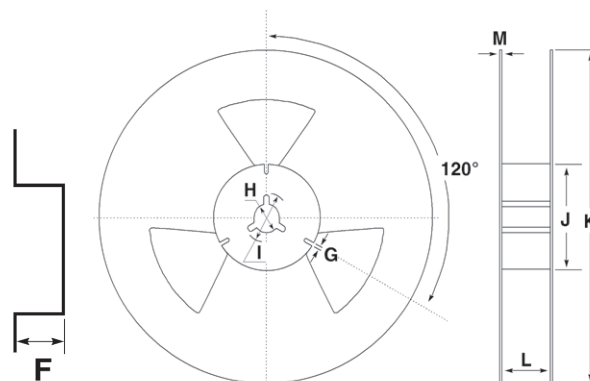
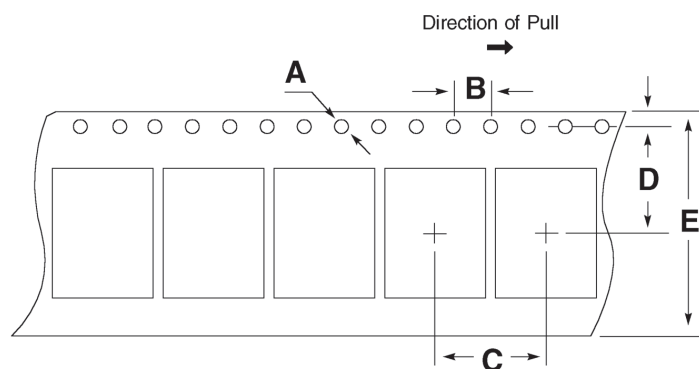
Need a
Sample®

• TAPE SPECIFICATIONS (millimeters)

| MODEL | A | B | C | D | E | F | STD Reel QTY |
|-------------|------|-----|-----|-----|------|-----|--------------|
| C7AS series | ∅1.5 | 4.0 | 8.0 | 7.5 | 16.0 | 2.3 | 2,000 |

• REEL SPECIFICATIONS (millimeters)

| MODEL | G | H | I | J | K | L | M |
|-------------|-----|-----|-----|-----|------|------|-----|
| C7AS series | 2.0 | ∅13 | ∅21 | ∅80 | ∅250 | 17.5 | 2.0 |



C7AS Series Available Options and Part Numbering

| F C7AS 20.0 | | | | | | |
|-------------|---|--|--|--|---|------------------|
| F | C7AS | Select LTR | Select LTR | Select LTR | Select LTR | 20.000 |
| <u>Fox</u> | <u>Model Number</u> 7.0 x 5.0mm, 2-psd | <u>Tolerance</u> B = ±50 PPM C = ±30 PPM D = ±25 PPM E = ±20 PPM | <u>Stability</u> B = ±50 PPM C = ±30 PPM D = ±25 PPM E = ±20 PPM | <u>Ckt Condition</u> A = Series E = 10pF G = 12pF K = 16pF L = 18pF M = 20pF | <u>Operating Temp</u> D = -10 to +60°C F = -20 to +70°C M = -40 to +85°C | <u>Frequency</u> |

- Not all frequency, tolerance, stability, load, and operating temperature combinations may be available.

All specifications subject to change without notice.

• FE Standard Crystals

| Part Number | Frequency | Tolerance | Stability | Temp Range | CL |
|-------------|-----------|------------|------------|--------------|------|
| FE098-20 | 9.830400 | +/- 50 ppm | +/- 50 ppm | -10 to +60 C | 20pF |
| FE100-20 | 10.000000 | +/- 50 ppm | +/- 50 ppm | -10 to +60 C | 20pF |
| FE115-20 | 11.059200 | +/- 50 ppm | +/- 50 ppm | -10 to +60 C | 20pF |
| FE143-20 | 14.318180 | +/- 50 ppm | +/- 50 ppm | -10 to +60 C | 20pF |
| FE147-20 | 14.745600 | +/- 50 ppm | +/- 50 ppm | -10 to +60 C | 20pF |
| FE150-20 | 15.000000 | +/- 50 ppm | +/- 50 ppm | -10 to +60 C | 20pF |
| FE160-20 | 16.000000 | +/- 50 ppm | +/- 50 ppm | -10 to +60 C | 20pF |
| FE200-20 | 20.000000 | +/- 50 ppm | +/- 50 ppm | -10 to +60 C | 20pF |
| FE221-20 | 22.118400 | +/- 50 ppm | +/- 50 ppm | -10 to +60 C | 20pF |
| FE240F-20 | 24.000000 | +/- 50 ppm | +/- 50 ppm | -10 to +60 C | 20pF |
| FE245LF-20 | 24.576000 | +/- 50 ppm | +/- 50 ppm | -10 to +60 C | 20pF |
| FE250LF-20 | 25.000000 | +/- 50 ppm | +/- 50 ppm | -10 to +60 C | 20pF |