

PKE 5220 series Direct Converters
 Input 18 - 75 V, Output up to $\pm 0.625A / 15W$

3/28701- BMR 710 Rev. C September 2019

© Flex

Key Features

- Industry standard case dimensions
 25.4 x 25.4 x 10.8 mm (1.00 x 1.00 x 0.4 in)
- High efficiency, typ. 88%
- 1500 Vdc input to output isolation
- Meets basic insulation and safety requirements according to IEC/UL 62368-1
- MTBF 4.93 Mh

General Characteristics

- Input under voltage shutdown
- Monotonic start-up
- Remote control
- Output over voltage protection
- Over temperature protection
- Output short-circuit protection
- Output voltage adjust function
- ISO 9001/14001 certified supplier



Safety Approvals



Design for Environment



Meets requirements in high-temperature lead-free soldering processes.

Contents

Ordering Information	2
General Information	2
Safety Specification	3
Absolute Maximum Ratings	4
Electrical Specification	
$\pm 12 V, \pm 0.625 A / 15W$	PKE 5221 PI 5
$\pm 15 V, \pm 0.5 A / 15 W$	PKE 5225 PI 8
EMC Specification	11
Operating Information	12
Thermal Consideration	13
Connections	14
Mechanical Information	15
Soldering Information	16
Delivery Information	16
Product Qualification Specification	17

Technical Specification

PKE 5220 series Direct Converters
Input 18 - 75 V, Output up to $\pm 0.625A / 15W$

3/28701- BMR 710 Rev. C September 2019

© Flex

Ordering Information

Product program	Output
PKE 5221	$\pm 12V, \pm 0.625A / 15W$
PKE 5225	$\pm 15V, \pm 0.5A / 15W$

Product number and Packaging

PKE 522X PIn ₁	
Options	n ₁
Remote Control logic	o

Options	Description
n ₁	Negative * P Positive

Example positive logic product with tray packaging would be PKE 5221 PIP.

* Standard variant (i.e. no option selected).

General Information**Reliability**

The failure rate (λ) and mean time between failures (MTBF = $1/\lambda$) is calculated at max output power and an operating ambient temperature (T_A) of +25°C. Flex uses Telcordia SR-332 Issue 2 Method 1 to calculate the mean steady-state failure rate and standard deviation (σ).

Telcordia SR-332 Issue 2 also provides techniques to estimate the upper confidence levels of failure rates based on the mean and standard deviation.

Mean steady-state failure rate, λ	Std. deviation, σ
202.797 nFailures/h	119.564nFailures/h

MTBF (mean value) for the PKE522X series = 4.93 Mh.
MTBF at 90% confidence level = 2.75 Mh

Compatibility with RoHS requirements

The products are compatible with the relevant clauses and requirements of the RoHS directive 2011/65/EU and have a maximum concentration value of 0.1% by weight in homogeneous materials for lead, mercury, hexavalent chromium, PBB and PBDE and of 0.01% by weight in homogeneous materials for cadmium.

Exemptions in the RoHS directive utilized in Flex products are found in the Statement of Compliance document.

Flex fulfills and will continuously fulfill all its obligations under regulation (EC) No 1907/2006 concerning the registration, evaluation, authorization and restriction of chemicals (REACH) as they enter into force and is through product materials declarations preparing for the obligations to communicate information on substances in the products.

Quality Statement

The products are designed and manufactured in an industrial environment where quality systems and methods like ISO 9000, Six Sigma, and SPC are intensively in use to boost the continuous improvements strategy. Infant mortality or early failures in the products are screened out and they are subjected to an ATE-based final test. Conservative design rules, design reviews and product qualifications, plus the high competence of an engaged work force, contribute to the high quality of the products.

Warranty

Warranty period and conditions are defined in Flex General Terms and Conditions of Sale.

Limitation of Liability

Flex does not make any other warranties, expressed or implied including any warranty of merchantability or fitness for a particular purpose (including, but not limited to, use in life support applications, where malfunctions of product can cause injury to a person's health or life).

© Flex 2019

The information and specifications in this technical specification is believed to be correct at the time of publication. However, no liability is accepted for inaccuracies, printing errors or for any consequences thereof. Flex reserves the right to change the contents of this technical specification at any time without prior notice.

Technical Specification

PKE 5220 series Direct Converters Input 18 - 75 V, Output up to $\pm 0.625A / 15W$	3/28701- BMR 710 Rev. C September 2019
	© Flex

Safety Specification**General information**

Flex Power DC/DC converters and DC/DC regulators are designed in accordance with the safety standards IEC 62368-1, EN 62368-1 and UL 62368-1 *Audio/video, information and communication technology equipment - Part 1: Safety requirements*

IEC/EN/UL 62368-1 contains requirements to prevent injury or damage due to the following hazards:

- Electrical shock
- Electrically-caused fire
- Injury caused by hazardous substances
- Mechanically-caused injury
- Skin burn
- Radiation-caused injury

On-board DC/DC converters, Power interface modules and DC/DC regulators are defined as component power supplies. As components they cannot fully comply with the provisions of any safety requirements without "conditions of acceptability". Clearance between conductors and between conductive parts of the component power supply and conductors on the board in the final product must meet the applicable safety requirements. Certain conditions of acceptability apply for component power supplies with limited stand-off (see Mechanical Information for further information). It is the responsibility of the installer to ensure that the final product housing these components complies with the requirements of all applicable safety standards and regulations for the final product.

Component power supplies for general use shall comply with the requirements in IEC/EN/UL 62368-1. Product related standards, e.g. IEEE 802.3af *Power over Ethernet*, and ETS-300132-2 *Power interface at the input to telecom equipment, operated by direct current (dc)* are based on IEC/EN/UL 60950-1 with regards to safety.

Flex Power DC/DC converters, Power interface modules and DC/DC regulators are UL 62368-1 recognized and certified in accordance with EN 62368-1. The flammability rating for all construction parts of the products meet requirements for V-0 class material according to IEC 60695-11-10, *Fire hazard testing, test flames – 50 W* horizontal and vertical flame test methods.

Isolated DC/DC converters & Power interface modules

The product may provide basic or functional insulation between input and output according to IEC/EN/UL 62368-1 (see Safety Certificate), different conditions shall be met if the output of a basic or a functional insulated product shall be considered as ES1 energy source.

For basic insulated products (see Safety Certificate) the output is considered as ES1 energy source if one of the

following conditions is met:

- The input source provides supplementary or double or reinforced insulation from the AC mains according to IEC/EN/UL 62368-1.
- The input source provides functional or basic insulation from the AC mains and the product's output is reliably connected to protective earth according to IEC/EN/UL 62368-1.

For functional insulated products (see Safety Certificate) the output is considered as ES1 energy source if one of the following conditions is met:

- The input source provides double or reinforced insulation from the AC mains according to IEC/EN/UL 62368-1.
- The input source provides basic or supplementary insulation from the AC mains and the product's output is reliably connected to protective earth according to IEC/EN/UL 62368-1.
- The input source is reliably connected to protective earth and provides basic or supplementary insulation according to IEC/EN/UL 62368-1 and the maximum input source voltage is 60 Vdc.

Galvanic isolation between input and output is verified in an electric strength test and the isolation voltage (V_{iso}) meets the voltage strength requirement for basic insulation according to IEC/EN/UL 62368-1.

It is recommended to use a slow blow fuse at the input of each DC/DC converter. If an input filter is used in the circuit the fuse should be placed in front of the input filter. In the rare event of a component problem that imposes a short circuit on the input source, this fuse will provide the following functions:

- Isolate the fault from the input power source so as not to affect the operation of other parts of the system
- Protect the distribution wiring from excessive current and power loss thus preventing hazardous overheating

Technical Specification

PKE 5220 series Direct Converters
 Input 18 - 75 V, Output up to $\pm 0.625A / 15W$

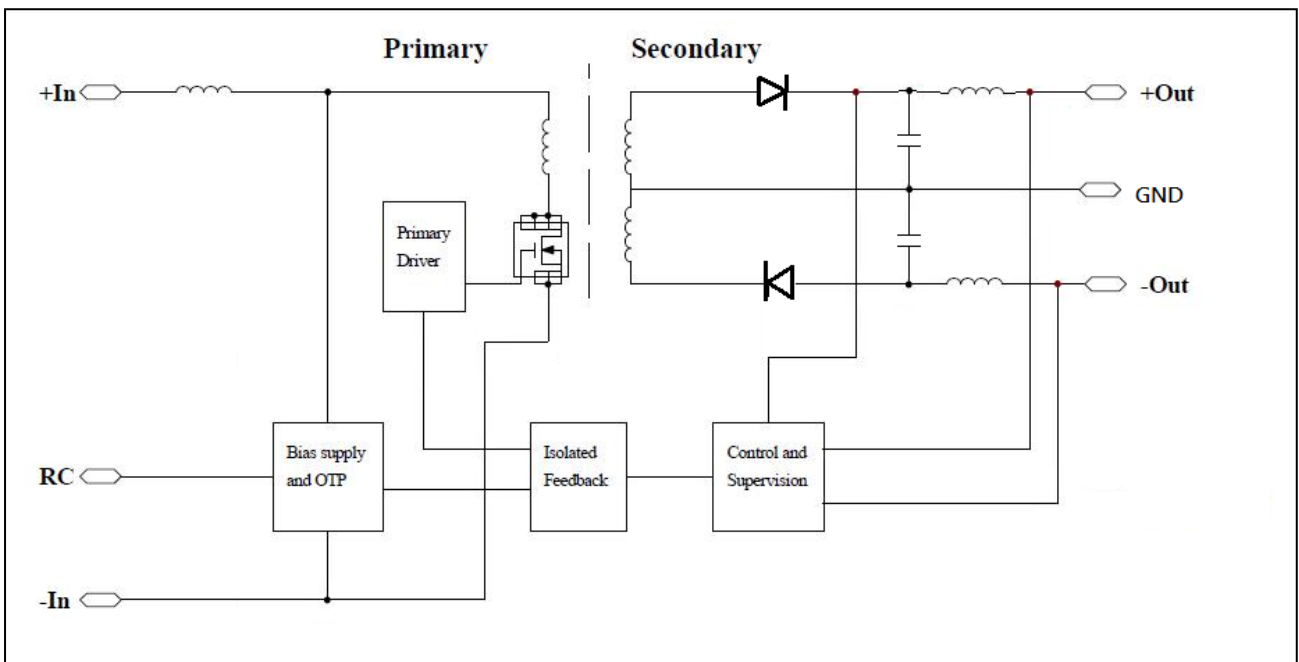
3/28701- BMR 710 Rev. C September 2019
 © Flex

Absolute Maximum Ratings

Characteristics		min	typ	max	Unit
T_{P1}	Operating Temperature (see Thermal Consideration section)	-40		+115	°C
T_S	Storage temperature	-55		+125	°C
V_I	Input voltage	18		75	V
V_{iso}	Isolation voltage (input to output test voltage)			1500	Vdc
V_{iso}	Isolation voltage (input to case)			1000	Vdc
V_{iso}	Isolation voltage (case to output)			1000	Vdc
V_{tr}	Input voltage transient (withstand for 1s)			100	V
V_{RC}	Remote Control pin voltage (see Operating Information section)	Positive logic option	0	6	V
		Negative logic option	0	6	V
V_{adj}	Adjust pin voltage (see Operating Information section)	0		V_o	V

Stress in excess of Absolute Maximum Ratings may cause permanent damage. Absolute Maximum Ratings, sometimes referred to as no destruction limits, are normally tested with one parameter at a time exceeding the limits in the Electrical Specification. If exposed to stress above these limits, function and performance may degrade in an unspecified manner.

Fundamental Circuit Diagram



Technical Specification

PKE 5220 series Direct Converters
Input 18 - 75 V, Output up to $\pm 0.625\text{A} / 15\text{W}$

3/28701- BMR 710 Rev. C September 2019

© Flex

Electrical Specification

$\pm 12\text{ V}, \pm 0.625\text{ A} / 15\text{ W}$

PKE 5221 PI

$T_{P1} = -40$ to $+115^\circ\text{C}$, $V_I = 18$ to 75 V , unless otherwise specified under Conditions.

Typical values given at: $T_{P1} = +25^\circ\text{C}$, $V_I = 48\text{ V}$ max I_O , unless otherwise specified under Conditions.

Additional $C_{out} = 22\mu\text{F}$ ceramic capacitor. See Operating Information section for selection of capacitor types.

Characteristics		Conditions	min	typ	max	Unit
V_I	Input voltage range		18		75	V
V_{loff}	Turn-off input voltage	Decreasing input voltage	14	15	16	V
V_{lon}	Turn-on input voltage	Increasing input voltage	15	16	17	V
C_I	Internal input capacitance			1.14		μF
P_O	Output power		0		15	W
η	Efficiency	50% of max I_O , $V_I = 24\text{ V}$		89		%
		max I_O , $V_I = 24\text{ V}$		89		
		50% of max I_O , $V_I = 48\text{ V}$		88		
		max I_O , $V_I = 48\text{ V}$		89		
P_d	Power Dissipation	max I_O		1.2	2.5	W
P_{ii}	Input idling power	$I_O = 0\text{ A}$, $V_I = 48\text{ V}$		0.25		W
f_s	Switching frequency	0-100 % of max I_O	340	400	460	kHz

Characteristics		Conditions	Output1			Output2			Unit
			min	typ	max	min	typ	max	
V_{O1}	Output voltage initial setting and accuracy	$T_{P1} = +25^\circ\text{C}$, $V_I = 48\text{ V}$, $I_O = \pm 0.625\text{ A}$	+11.88	+12	+12.12	-11.88	-12	-12.12	V
V_{O1}	Line regulation	max I_O		+60	+120		-60	-120	mV
	Load regulation	$V_I = 48\text{ V}$, 0-100 % of max I_O		+60	+120		-60	-120	mV
V_{tr}	Load transient voltage deviation	$V_I = 48\text{ V}$, Load step 50-75-50% of max I_O , $di/dt = 1\text{ A}/\mu\text{s}$		+0.3			-0.3		V
t_{tr}	Load transient recovery time			200			200		μs
t_r	Ramp-up time (from 10-90% of V_{O1})	10-100% of max I_O , $T_{P1} = 25^\circ\text{C}$, $V_I = 48\text{ V}$		1.2			1.2		ms
t_s	Start-up time (from V_I connection to 90% of V_{O1})			6			6		ms
t_f	V_I shut-down fall time (from V_I off to 10% of V_O)	max I_O		350			350		μs
		$I_O = 0\text{ A}$		1.5			1.5		s
t_{RC}	RC start-up time	max I_O		5			5		ms
	RC shut-down fall time (from RC off to 10% of V_O)	max I_O		100			100		μs
		$I_O = 0\text{ A}$		1.7			1.7		s
I_O	Output current		0	+0.625	0		-0.625	A	
I_{lim}	Current limit threshold	$T_{P1} < \text{max } T_{P1}$	+0.75	+1	+1.25	-0.75	-1	-1.25	A
I_{sc}	Short circuit current	$T_{P1} = 25^\circ\text{C}$ see Note 1		+0.670			-0.670		A
C_{out}	Recommended Capacitive Load	$T_{P1} = 25^\circ\text{C}$ see Note 2	0		+330	0		-330	μF
V_{Oac}	Output ripple & noise	See ripple & noise section, V_{O1} , max I_O		+30	+75		-30	-75	mVp-p
OVP	Over voltage protection	$T_{P1} = +25^\circ\text{C}$, $V_I = 48\text{ V}$, 10-100% of max I_O		+15			-15		V
RC	Sink current, see Note 3	See operating information	10			10			mA
	Trigger level	See operating information	2.5			2.5			V

Note 1: hiccup mode

Note 2: Test condition: Electronic Capacitor and full load

Note 3: Sink current drawn by external device connected to the RC pin. Minimum sink current required to guarantee activated RC function.

Technical Specification

PKE 5220 series Direct Converters
 Input 18 - 75 V, Output up to $\pm 0.625\text{A} / 15\text{W}$

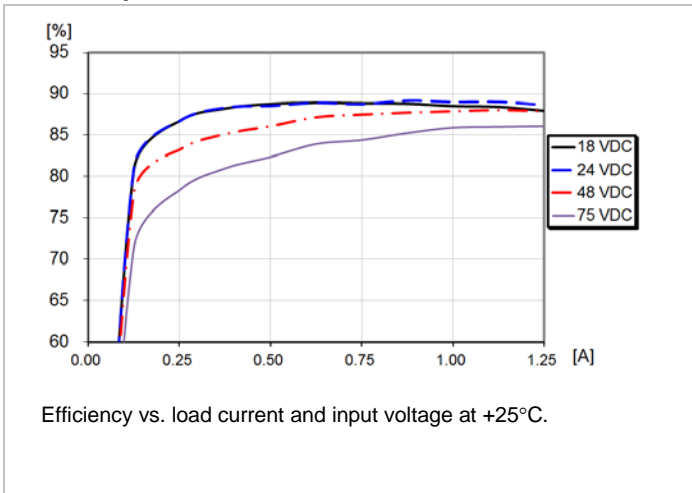
3/28701-BMR 710 Rev. C September 2019

© Flex

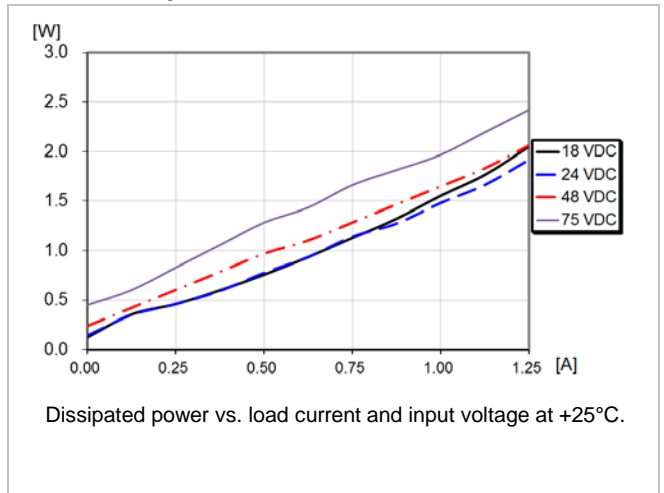
Electrical Specification
 $\pm 12\text{ V}, \pm 0.625\text{ A} / 15\text{ W}$

PKE 5221 PI

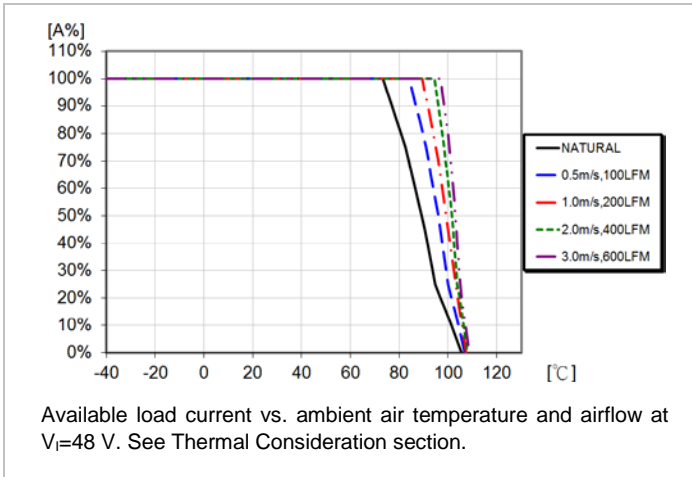
Efficiency



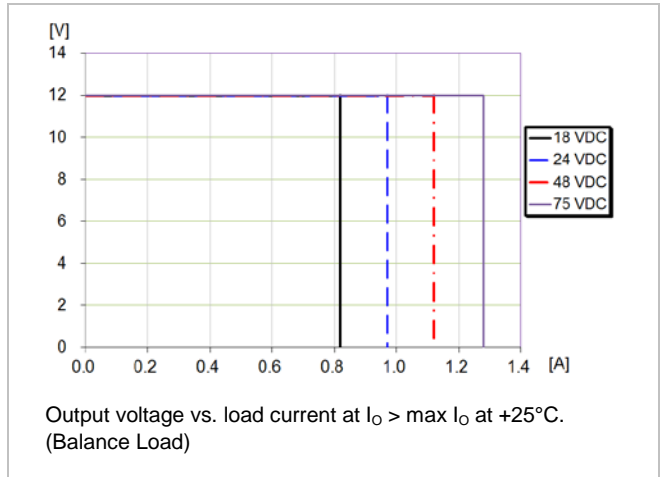
Power Dissipation



Output Current Derating



Current Limit Characteristics



PKE 5220 series Direct Converters
 Input 18 - 75 V, Output up to $\pm 0.625\text{A} / 15\text{W}$

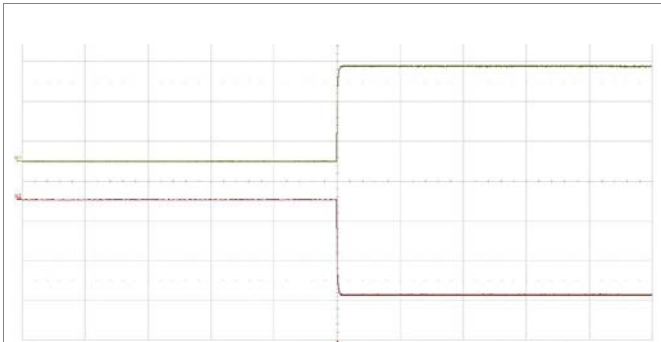
3/28701- BMR 710 Rev. C September 2019

© Flex

Electrical Specification
 $\pm 12\text{ V}, \pm 0.625\text{ A} / 15\text{ W}$

PKE 5221 PI

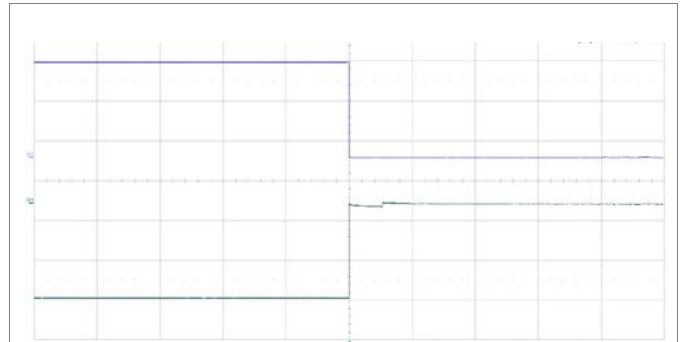
Start-up



Start-up enabled by connecting V_I at:
 $T_{P1} = +25^\circ\text{C}, V_I = 48\text{ V},$
 $I_O = +0.625\text{ A}$ resistive load.

Top trace: output1 voltage (5 V/div.).
 Bottom trace: output2 voltage (5 V/div.).
 Time scale: (200 ms/div.).

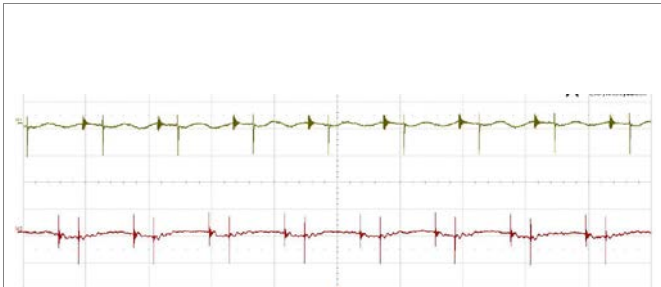
Shut-down



Shut-down enabled by disconnecting V_I at:
 $T_{P1} = +25^\circ\text{C}, V_I = 48\text{ V},$
 $I_O = +0.625\text{ A}$ resistive load.

Top trace: output1 voltage (5 V/div.).
 Bottom trace: output2 voltage (5 V/div.).
 Time scale: (200 ms/div.).

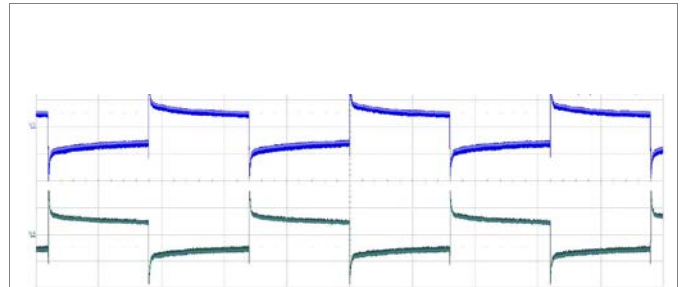
Output Ripple & Noise



Output voltage ripple at:
 $T_{P1} = +25^\circ\text{C}, V_I = 48\text{ V},$
 $I_O = +0.625\text{ A}$ resistive load.

Trace: output voltage (10 mV/div.).
 Time scale: (5 μs /div.).
 20MHz bandwidth

Output Load Transient Response



Output voltage response to load current step-change $+(0.32-0.46-0.32\text{ A})$ at:
 $T_{P1} = +25^\circ\text{C}, V_I = 48\text{ V}.$

Top trace: output1 voltage (50 mV/div.).
 Bottom trace: output2 voltage (50 mV/div.).
 Time scale: (5 ms/div.).

Technical Specification

PKE 5220 series Direct Converters
Input 18 - 75 V, Output up to $\pm 0.625\text{A} / 15\text{W}$

3/28701- BMR 710 Rev. C September 2019

© Flex

Electrical Specification

$\pm 15\text{V}$, $\pm 0.5\text{A} / 15\text{W}$

PKE 5225 PI

$T_{P1} = -40$ to $+115^\circ\text{C}$, $V_I = 18$ to 75V , unless otherwise specified under Conditions.

Typical values given at: $T_{P1} = +25^\circ\text{C}$, $V_I = 48\text{V}$ max I_O , unless otherwise specified under Conditions.

Additional $C_{out} = 22\mu\text{F}$ ceramic capacitor. See Operating Information section for selection of capacitor types.

Characteristics		Conditions	min	typ	max	Unit
V_I	Input voltage range		18		75	V
V_{loff}	Turn-off input voltage	Decreasing input voltage	14	15	16	V
V_{lon}	Turn-on input voltage	Increasing input voltage	15	16	17	V
C_I	Internal input capacitance			1.14		μF
P_O	Output power		0		15	W
η	Efficiency	50% of max I_O , $V_I = 24\text{V}$		89		%
		max I_O , $V_I = 24\text{V}$		89		
		50% of max I_O , $V_I = 48\text{V}$		87		
		max I_O , $V_I = 48\text{V}$		88		
P_d	Power Dissipation	max I_O		1.2	2.5	W
P_{ii}	Input idling power	$I_O = 0\text{A}$, $V_I = 48\text{V}$		0.3		W
f_s	Switching frequency	0-100 % of max I_O	340	400	460	kHz

Characteristics		Conditions	Output1			Output2			Unit
			min	typ	max	min	typ	max	
V_{O1}	Output voltage initial setting and accuracy	$T_{P1} = +25^\circ\text{C}$, $V_I = 48\text{V}$, $I_O = \pm 0.5\text{A}$	+14.85	+15	+15.15	-14.85	-15	-15.15	V
V_{O1}	Line regulation	max I_O		+75	+150		-75	-150	mV
	Load regulation	$V_I = 48\text{V}$, 0-100 % of max I_O		+75	+150		-75	-150	mV
V_{tr}	Load transient voltage deviation	$V_I = 48\text{V}$, Load step 50-75-50% of max I_O , $di/dt = 1\text{A}/\mu\text{s}$		+0.3			-0.3		V
t_{tr}	Load transient recovery time			200			200		μs
t_r	Ramp-up time (from 10-90% of V_{O1})	10-100% of max I_O		1.2			1.2		ms
t_s	Start-up time (from V_I connection to 90% of V_{O1})	$T_{P1} = 25^\circ\text{C}$, $V_I = 48\text{V}$		6			6		ms
t_f	V_I shut-down fall time (from V_I off to 10% of V_O)	max I_O		350			350		μs
		$I_O = 0\text{A}$		1.5			1.5		s
t_{RC}	RC start-up time	max I_O		5			5		ms
	RC shut-down fall time (from RC off to 10% of V_O)	max I_O		100			100		μs
		$I_O = 0\text{A}$			1.7			1.7	
I_O	Output current		0	+0.5		0	-0.5		A
I_{lim}	Current limit threshold	$T_{P1} < \text{max } T_{P1}$	+0.6	+0.8	+1.0	-0.6	-0.8	-1.0	A
I_{sc}	Short circuit current	$T_{P1} = 25^\circ\text{C}$ see Note 1		+0.623			-0.623		A
C_{out}	Recommended Capacitive Load	$T_{P1} = 25^\circ\text{C}$ see Note 2	0		+220	0		-220	μF
V_{Oac}	Output ripple & noise	See ripple & noise section, V_{O1} , max I_O		+30	+75		-30	-75	mVp-p
OVP	Over voltage protection	$T_{P1} = +25^\circ\text{C}$, $V_I = 48\text{V}$, 10-100% of max I_O		+18			-18		V
RC	Sink current, see Note 3	See operating information	10			10			mA
	Trigger level	See operating information	2.5			2.5			V

Note 1: hiccup mode

Note 2: Test condition: Electronic Capacitor and full load

Note 3: Sink current drawn by external device connected to the RC pin. Minimum sink current required to guarantee activated RC function.

Technical Specification

PKE 5220 series Direct Converters
 Input 18 - 75 V, Output up to $\pm 0.625A / 15W$

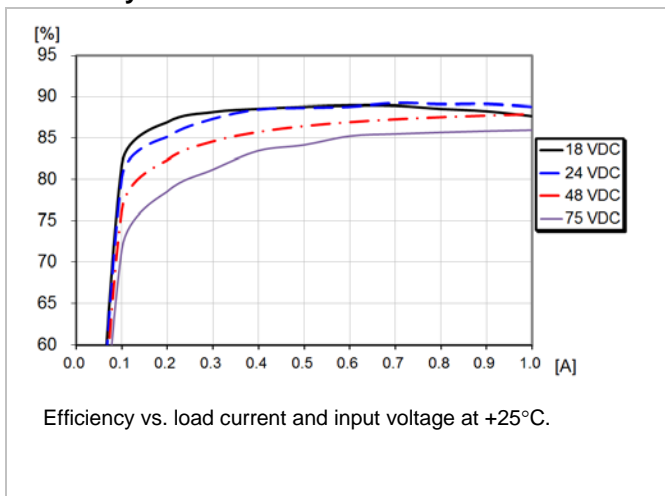
3/28701-BMR 710 Rev. C September 2019

© Flex

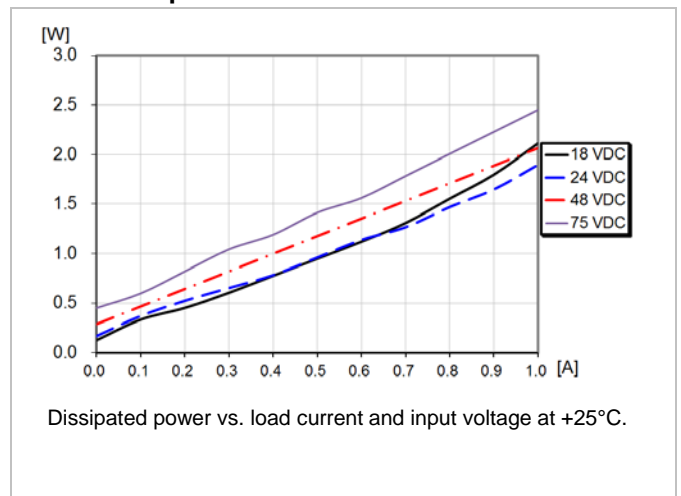
Electrical Specification
 $\pm 15 V, \pm 0.5 A / 15 W$

PKE 5225 PI

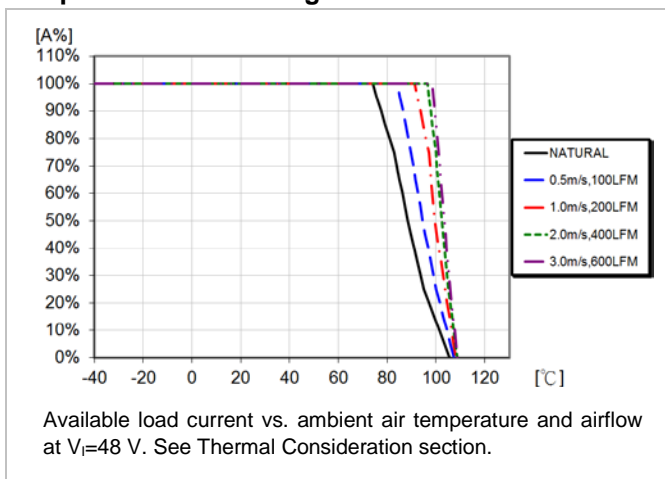
Efficiency



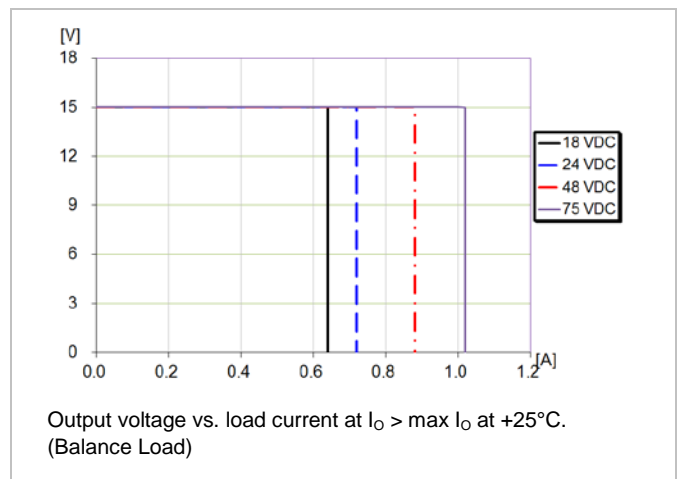
Power Dissipation



Output Current Derating



Current Limit Characteristics



Technical Specification

PKE 5220 series Direct Converters
 Input 18 - 75 V, Output up to $\pm 0.625\text{A} / 15\text{W}$

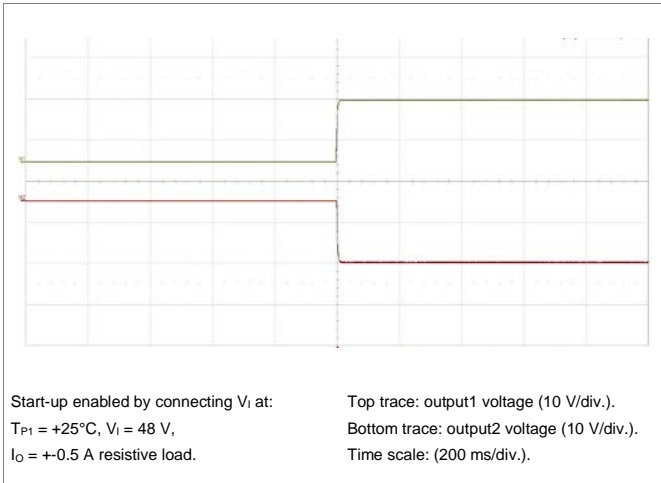
3/28701- BMR 710 Rev. C September 2019

© Flex

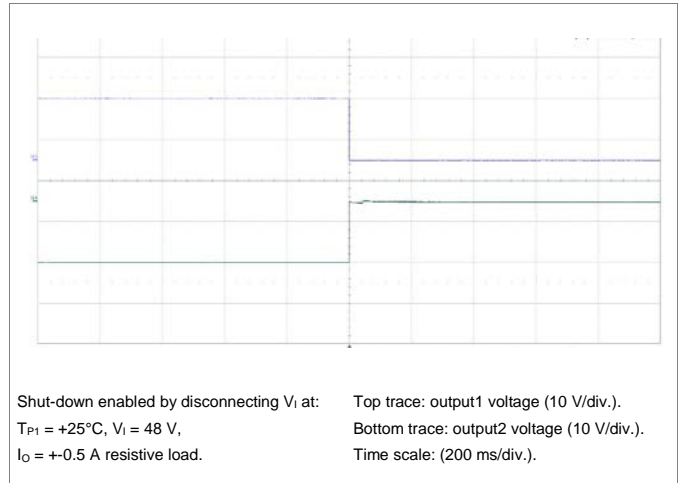
Electrical Specification
 $\pm 15\text{ V}, \pm 0.5\text{ A} / 15\text{ W}$

PKE 5225 PI

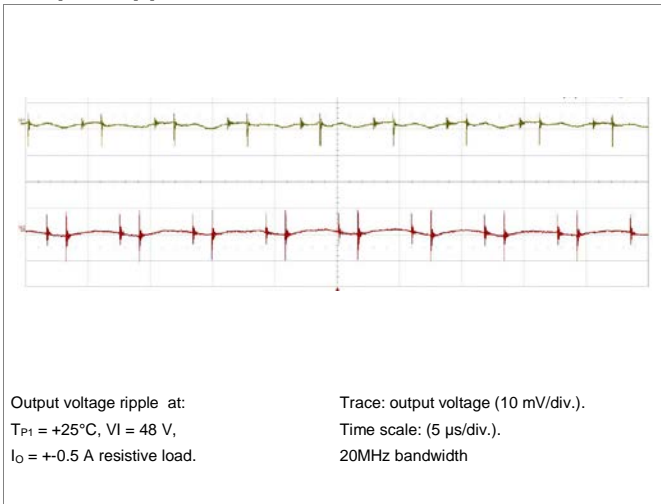
Start-up



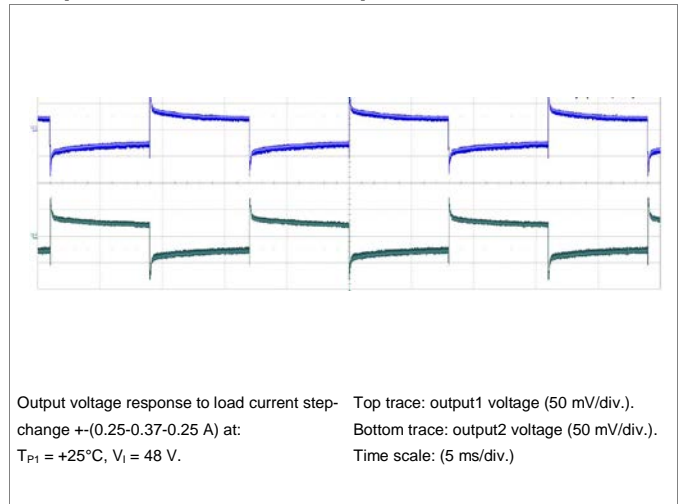
Shut-down



Output Ripple & Noise



Output Load Transient Response



Technical Specification

PKE 5220 series Direct Converters
 Input 18 - 75 V, Output up to $\pm 0.625A / 15W$

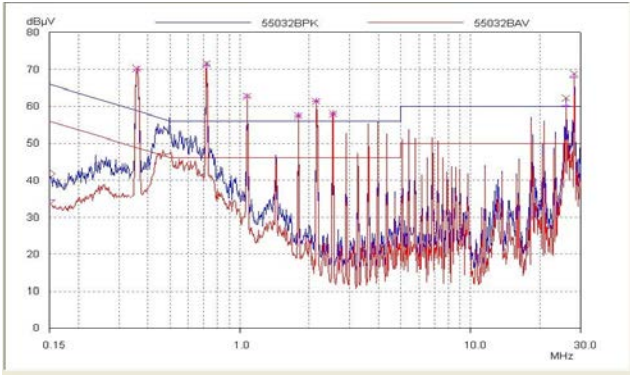
3/28701- BMR 710 Rev. C September 2019

© Flex

EMC Specification

Conducted EMI measured according to EN55032, CISPR 32 and FCC part 15J (see test set-up). See Design Note 029 for further information. The fundamental switching frequency is 400 kHz for PKE 5221 PI at $V_I = 48 V$ and max I_o .

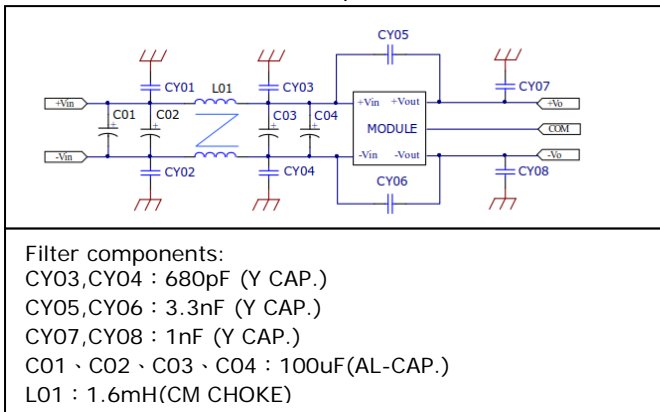
Conducted EMI Input terminal value (typ)



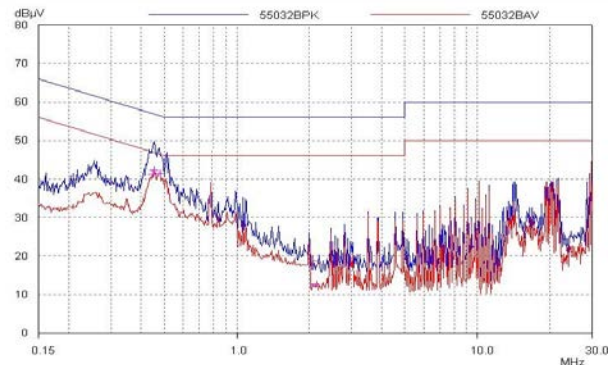
EMI without filter

Optional external filter for class B

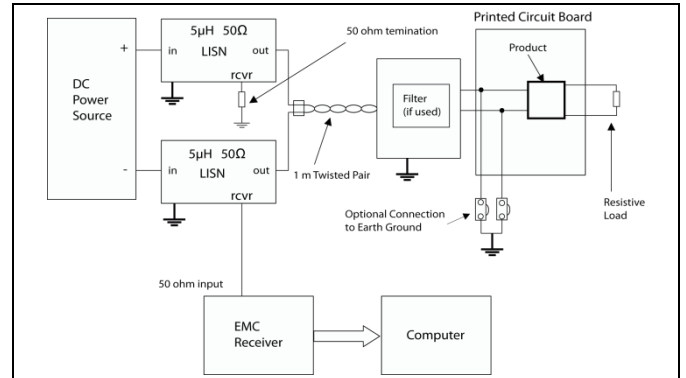
Suggested external input filter in order to meet class B in EN 55032, CISPR 32 and FCC part 15J.



Filter components:
 CY03,CY04 : 680pF (Y CAP.)
 CY05,CY06 : 3.3nF (Y CAP.)
 CY07,CY08 : 1nF (Y CAP.)
 C01 , C02 , C03 , C04 : 100uF(AL-CAP.)
 L01 : 1.6mH(CM CHOKE)



EMI with filter



Test set-up

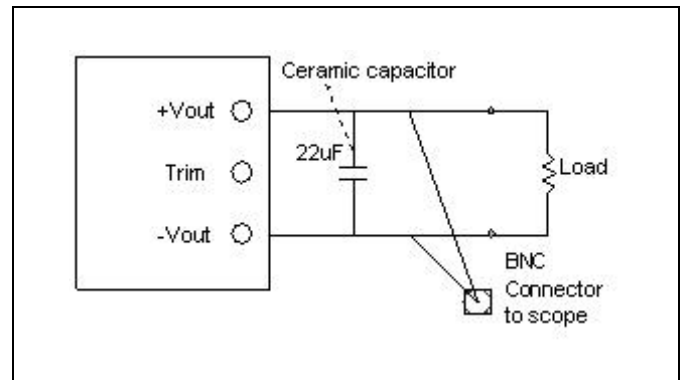
Layout recommendations

The radiated EMI performance of the product will depend on the PWB layout and ground layer design. It is also important to consider the stand-off of the product.

A ground layer will increase the stray capacitance in the PWB and improve the high frequency EMC performance.

Output ripple and noise

Output ripple and noise measured according to figure below.



Output ripple and noise test setup

Technical Specification

PKE 5220 series Direct Converters Input 18 - 75 V, Output up to $\pm 0.625A / 15W$	3/28701- BMR 710 Rev. C September 2019
	© Flex

Operating information**Input Voltage**

The input voltage range is 18 to 75 Vdc.

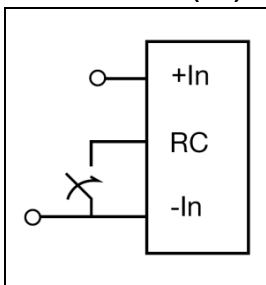
At input voltages exceeding 75 V, the power loss will be higher than at normal input voltage and T_{P1} must be limited to absolute max +115°C. The absolute maximum continuous input voltage is 75 Vdc.

Short duration transient disturbances can occur on the DC distribution and input of the product when a short circuit fault occurs on the equipment side of a protective device (fuse or circuit breaker). The voltage level, duration and energy of the disturbance are dependant on the particular DC distribution network characteristics and can be sufficient to damage the product unless measures are taken to suppress or absorb this energy. The transient voltage can be limited by capacitors and other energy absorbing devices like zener diodes connected across the positive and negative input conductors at a number of strategic points in the distribution network. The end-user must secure that the transient voltage will not exceed the value stated in the Absolute maximum ratings. ETSI TR 100 283 examines the parameters of DC distribution networks and provides guidelines for controlling the transient and reduce its harmful effect.

{Turn-off Input Voltage}

The products monitor the input voltage and will turn on and turn off at predetermined levels.

The minimum hysteresis between turn on and turn off input voltage is about 1 V.

Remote Control (RC)

The products are fitted with a remote control function referenced to the primary negative input connection -In, with negative and positive logic options available. The RC function allows the product to be turned on/off by an external device like a semiconductor or mechanical switch. The RC pin has an internal pull up resistor to +In.

The external device must provide a minimum required sink current to guarantee a voltage not higher than maximum voltage on the RC pin (see Electrical characteristics table). When the RC pin is left open, the voltage generated on the RC pin is 3 – 6 V.

The standard product is provided with “negative logic” RC and will be on until the RC pin is connected to the -In. To turn off the product the RC pin should be left open, or connected to a voltage higher than 2 V referenced to -In. In situations where it is desired to have the product to power up automatically without the need for control signals or a switch, the RC pin can be wired directly to -In.

The second option is “positive logic” remote control, which can be ordered by adding the suffix “P” to the end of the part number. When the RC pin is left open, the product starts up automatically when the input voltage is applied. Turn off is achieved by connecting the RC pin to the -In. The product will restart automatically when this connection is opened.

See Design Note 021 for detailed information.

Input and Output Impedance

The impedance of both the input source and the load will interact with the impedance of the product. It is important that the input source has low characteristic impedance. The products are designed for stable operation without external capacitors connected to the input or output. The performance in some applications can be enhanced by addition of external capacitance as described under External Decoupling Capacitors.

If the input voltage source contains significant inductance, the addition of a 22 μF capacitor across the input of the product will ensure stable operation. The capacitor is not required when powering the product from an input source with an inductance below 10 μH . The minimum required capacitance value depends on the output power and the input voltage. The higher output power the higher input capacitance is needed. Approximately doubled capacitance value is required for a 24 V input voltage source compared to a 48 V input voltage source.

External Decoupling Capacitors

When powering loads with significant dynamic current requirements, the voltage regulation at the point of load can be improved by addition of decoupling capacitors at the load. The most effective technique is to locate low ESR ceramic and electrolytic capacitors as close to the load as possible, using several parallel capacitors to lower the effective ESR. The ceramic capacitors will handle high-frequency dynamic load changes while the electrolytic capacitors are used to handle low frequency dynamic load changes. It is equally important to use low resistance and low inductance PWB layouts and cabling.

External decoupling capacitors will become part of the product's control loop. The control loop is optimized for a wide range of external capacitance and the maximum recommended value that could be used without any additional analysis is found in the Electrical specification.

The ESR of the capacitors is a very important parameter. Stable operation is guaranteed with a verified ESR value of >5 m Ω across the output connections.

For further information please contact your local Flex representative.

Technical Specification

PKE 5220 series Direct Converters Input 18 - 75 V, Output up to $\pm 0.625A / 15W$	3/28701- BMR 710 Rev. C September 2019
	© Flex

Over Temperature Protection (OTP)

The products are protected from thermal overload by an internal over temperature shutdown circuit. When T_{P1} as defined in thermal consideration section exceeds $115^{\circ}C$ the product will shut down. The product will make continuous attempts to start up (non-latching mode) and resume normal operation automatically when the temperature has dropped $>5^{\circ}C$ below the temperature threshold.

Over Voltage Protection (OVP)

The products have output over voltage protection that will shut down the product in over voltage conditions. The product will make continuous attempts to start up (non-latching mode) and resume normal operation automatically after removal of the over voltage condition.

Over Current Protection (OCP)

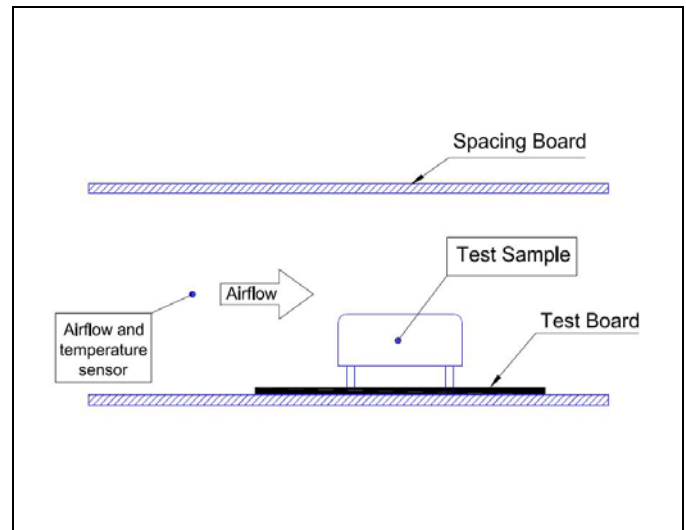
The products include current limiting circuitry for protection at continuous overload. The output voltage will decrease towards zero for output currents in excess of max output current (max I_o). The product will resume normal operation after removal of the overload. The load distribution should be designed for the maximum output short circuit current specified.

Thermal Consideration**General**

The products are designed to operate in different thermal environments and sufficient cooling must be provided to ensure reliable operation.

For products mounted on a PWB without a heat sink attached, cooling is achieved mainly by conduction, from the pins to the host board, and convection, which is dependant on the airflow across the product. Increased airflow enhances the cooling of the product. The Output Current Derating graph found in the Output section for each model provides the available output current vs. ambient air temperature and air velocity at $V_1 = 48 V$.

The product is tested on a $107 \times 45 \text{ mm}$, $70 \mu\text{m}$ (2 oz), 1-layer test board in a wind box with $370 \times 220 \text{ mm}$.



For products with base plate used in a sealed box application. Cooling is achieved mainly by airflowing. The Output Current Derating graphs are found in the Output section for each model. The product is tested in a sealed box test set up with ambient temperatures $25^{\circ}C$.

Technical Specification

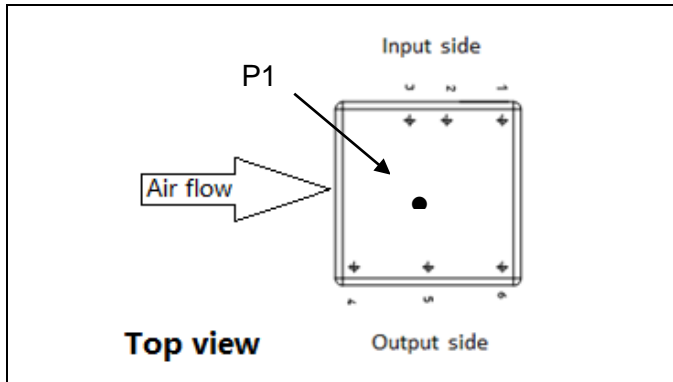
PKE 5220 series Direct Converters
 Input 18 - 75 V, Output up to $\pm 0.625A$ / 15W

3/28701- BMR 710 Rev. C September 2019
 © Flex

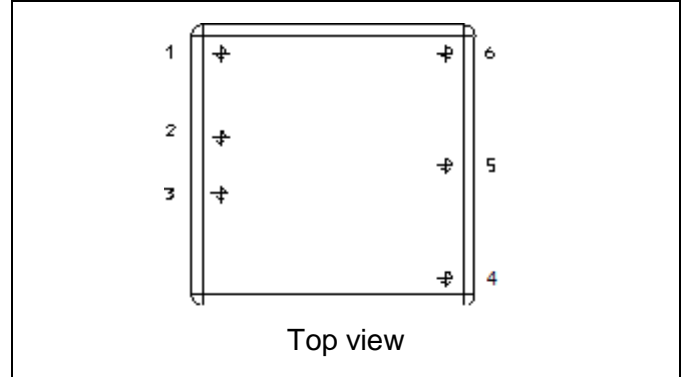
Definition of product operating temperature

The product operating temperatures is used to monitor the temperature of the product, and proper thermal conditions can be verified by measuring the temperature at positions P1. The temperature at this position (T_{P1}) should not exceed the maximum temperatures in the table below. Temperature above maximum T_{P1} , measured at the reference point P1 are not allowed and may cause permanent damage.

Position	Description	Max Temp.
P1	Reference point	$T_{P1}=115^{\circ}C$



Connections



DUAL OUTPUT

Pin	Designation	Function
1	On/Off Control	Remote control
2	-Input	Negative input
3	+Input	Positive input
4	Vo1(+Out)	Vo1 output
5	GND	Common ground
6	Vo2(-Out)	Vo2 output

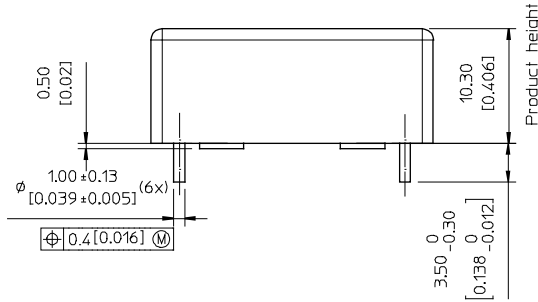
Technical Specification

PKE 5220 series Direct Converters
 Input 18 - 75 V, Output up to $\pm 0.625A / 15W$

3/28701- BMR 710 Rev. C September 2019

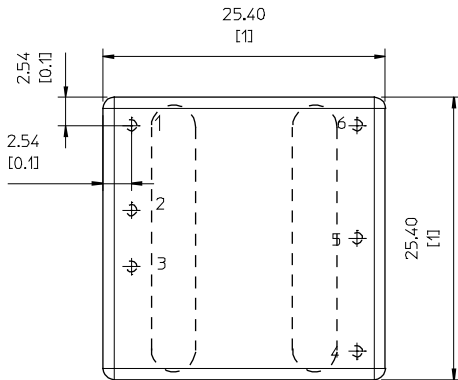
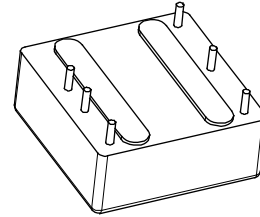
© Flex

Mechanical Information -

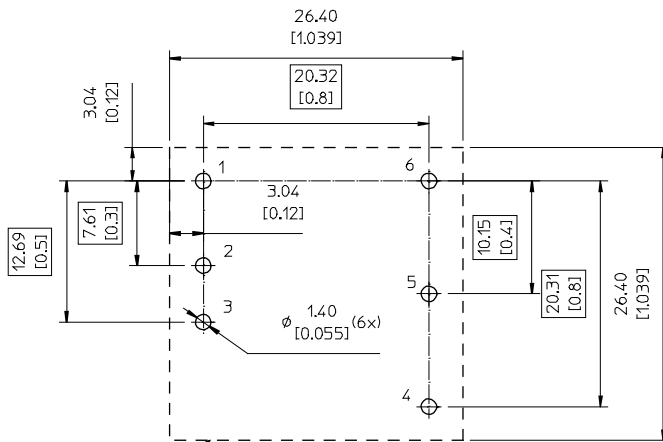


TOP VIEW

Pin positions according to recommended footprint



RECOMMENDED FOOTPRINT - TOP VIEW



Recommended keep away area for user components

Notes:

- 1 Pins:
 - Material: Brass
 - Plating: Tin plated
- 2 Case:
 - Material: Copper
 - Plating: Spray painting

Weight: typical 16 g
 All dimensions in mm [inch].
 Tolerances unless specified
 x.x mm ± 1.016 mm [0.04], x.xx mm ± 0.254 mm [0.010]
 (not applied on footprint or typical values)



Technical Specification

PKE 5220 series Direct Converters
 Input 18 - 75 V, Output up to $\pm 0.625A / 15W$

3/28701- BMR 710 Rev. C September 2019

© Flex

Soldering Information - Hole Mounting

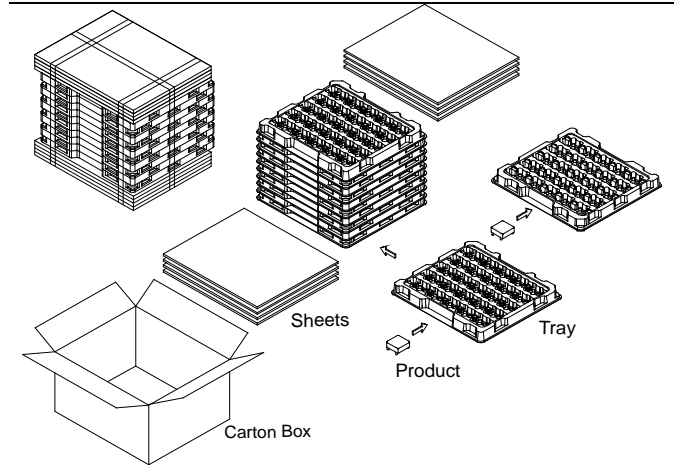
The hole mounted product is intended for plated through hole mounting by wave or manual soldering. The pin temperature is specified to maximum to 270°C for maximum 10 seconds.

A maximum preheat rate of 4°C/s and maximum preheat temperature of 150°C is suggested. When soldering by hand, care should be taken to avoid direct contact between the hot soldering iron tip and the pins for more than a few seconds in order to prevent overheating.

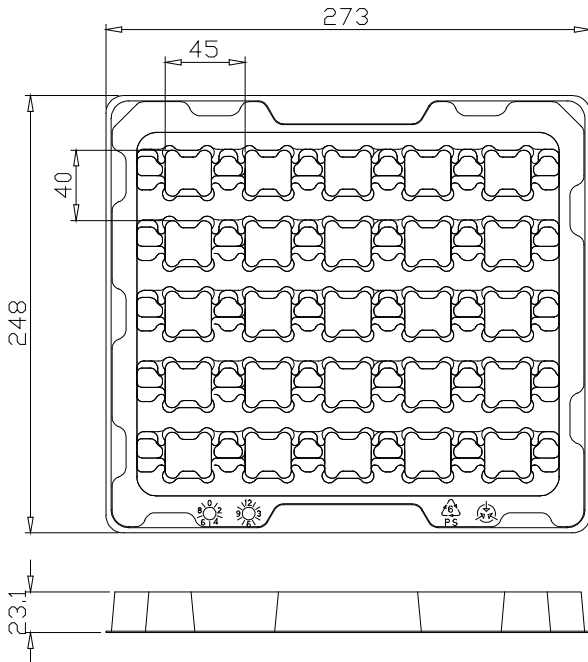
A no-clean flux is recommended to avoid entrapment of cleaning fluids in cavities inside the product or between the product and the host board. The cleaning residues may affect long time reliability and isolation voltage.

Delivery Package Information

The products are delivered in antistatic clamshell trays



Tray Specifications	
Material	Antistatic PS
Surface resistance	$10^5 < \text{Ohm/square} < 10^{11}$
Bakeability	This tray is not bake-able
Tray thickness	23.1 mm [0.9094 inch]
Box capacity	250 products (10 full trays/box)
Tray weight	60 g empty, 510 g full tray



Technical Specification

PKE 5220 series Direct Converters Input 18 - 75 V, Output up to $\pm 0.625A / 15W$	3/28701- BMR 710 Rev. C September 2019
	© Flex

Product Qualification Specification

Characteristics			
External visual inspection	IPC-A-610		
Change of temperature (Temperature cycling)	IEC 60068-2-14 Na	Temperature range Number of cycles Dwell/transfer time	-55 to 105°C 20 30 min/3 min
Cold (in operation)	IEC 60068-2-1	Temperature T _A Duration	-45°C 72 h
Damp heat	IEC 60068-2-30	Temperature Humidity Duration	45°C 95 % RH 72 hours
Electrostatic discharge susceptibility	IEC 61340-3-1, JESD 22-A114	Human body model (HBM)	Class 2, 2000 V
Mechanical shock	IEC 60068-2-27 Ea	Peak acceleration Duration	200 g 6 ms
Operational life test	MIL-STD-202G, method 108A	Duration	1000 h
Resistance to soldering heat	IEC 60068-2-20 Tb, method 1A	Solder temperature Duration	270°C 10-13 s
Robustness of terminations	IEC 60068-2-21 Test Ua1	Through hole mount products	All leads
Solderability	IEC 60068-2-20 test Ta	Temperature, SnPb Eutectic Temperature, Pb-free	235°C 245°C
Vibration, broad band random	IEC 60068-2-64 Fh, method 1	Frequency Spectral density Duration	10 to 500 Hz 0.07 g ² /Hz 10 min in each direction