

Memory FRAM

128K (16K × 8) Bit SPI

MB85RS128TY

■ DESCRIPTION

MB85RS128TY is a FRAM (Ferroelectric Random Access Memory) chip in a configuration of 16,384 words × 8 bits, using the ferroelectric process and silicon gate CMOS process technologies for forming the nonvolatile memory cells. This product is specifically targeted for high-temperature environment such as automotive applications.

MB85RS128TY adopts the Serial Peripheral Interface (SPI).

The MB85RS128TY is able to retain data without using a back-up battery, as is needed for SRAM.

The memory cells used in the MB85RS128TY can be used for 10^{13} read/write operations, which is a significant improvement over the number of read and write operations supported by Flash memory and E²PROM.

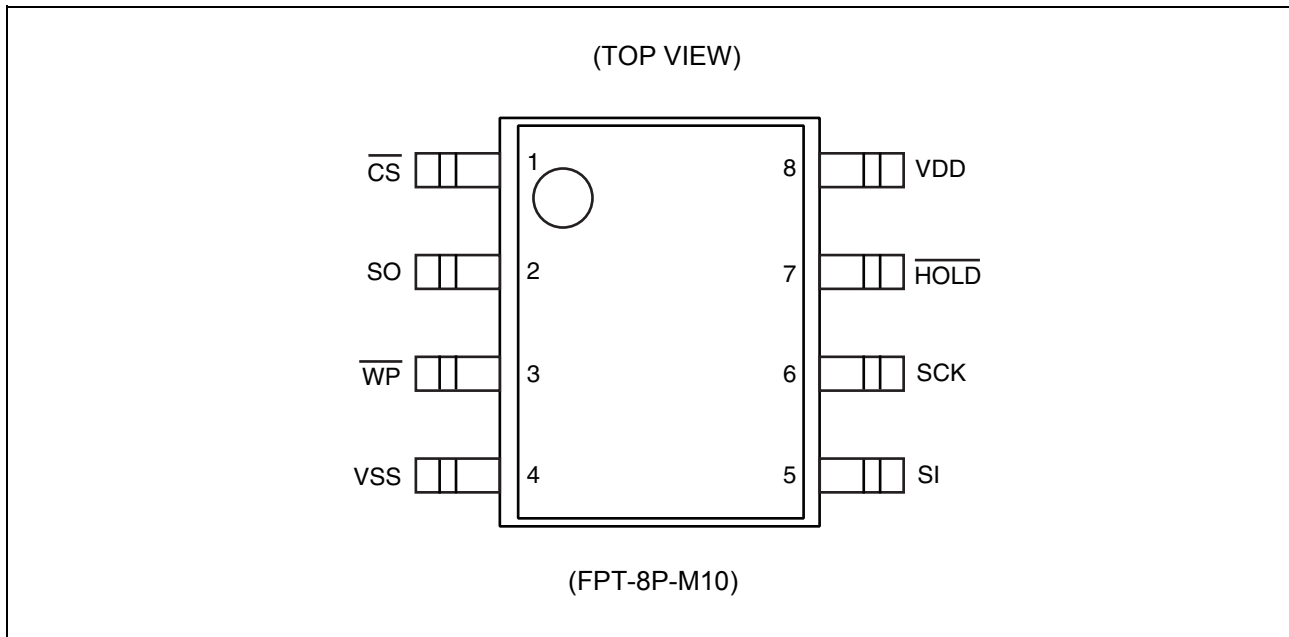
As MB85RS128TY does not need any waiting time in writing process, the write cycle time of MB85RS128TY is much shorter than that of Flash memories or E²PROM.

■ FEATURES

- Bit configuration : 16,384 words × 8 bits
- Serial Peripheral Interface : SPI (Serial Peripheral Interface)
Correspondent to SPI mode 0 (0, 0) and mode 3 (1, 1)
- Operating frequency : 33 MHz (Max)
- High endurance : 10^{13} times / byte
- Data retention : 30 years (+85 °C),
8.2 years (+105 °C),
2.5 years (+125 °C) or more
Under evaluation for more than 2.5 years (+125 °C)
- Operating power supply voltage : 1.8 V to 3.6 V
- Low power consumption : Operating power supply current 2.3 mA (Max@33 MHz)
Standby current 45 μA (Max)
Sleep current 12 μA (Max)
- Operation ambient temperature range : - 40 °C to +125 °C
- Package : 8-pin plastic SOP (FPT-8P-M10)
RoHS compliant

MB85RS128TY

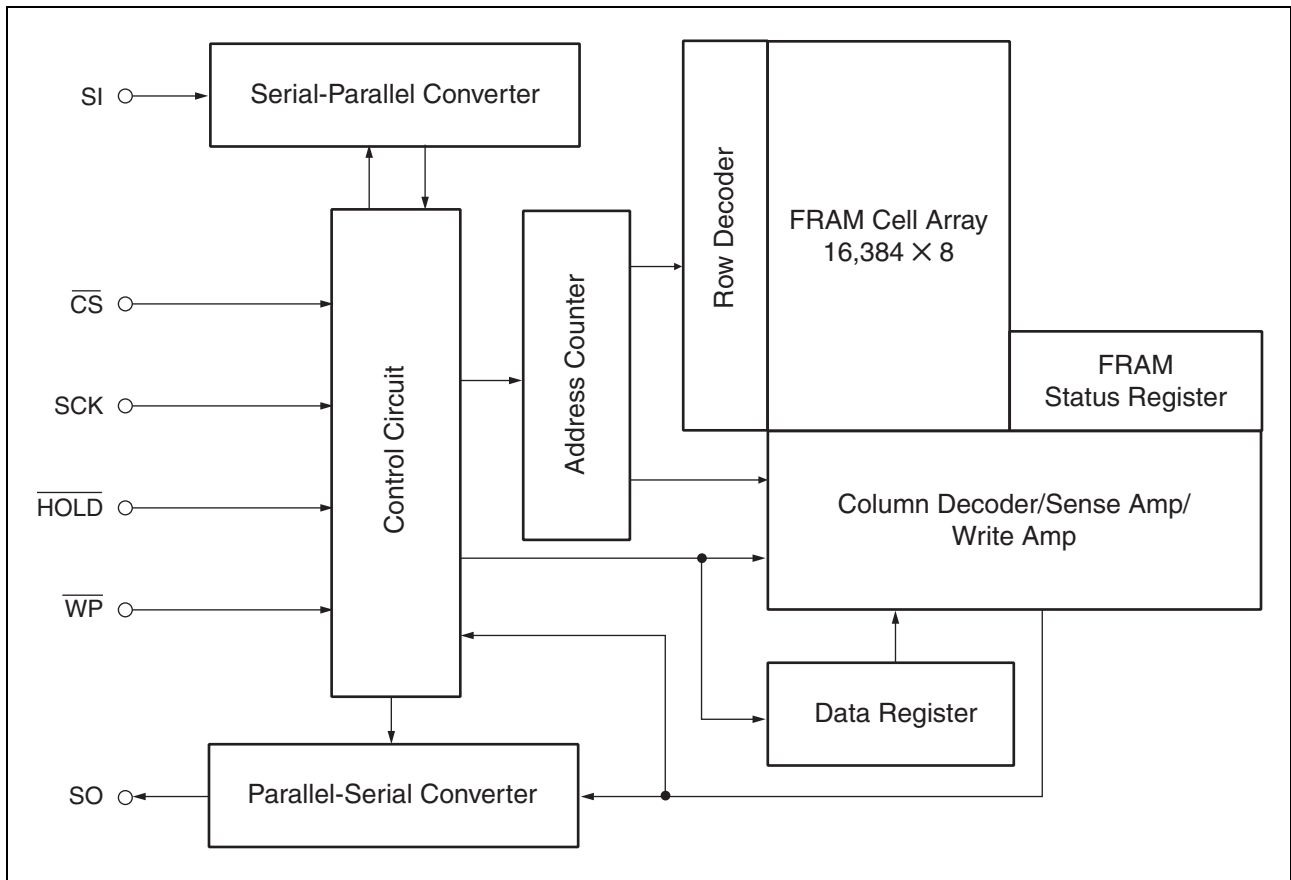
■ PIN ASSIGNMENT



■ PIN FUNCTIONAL DESCRIPTIONS

| Pin No. | Pin Name | Functional description |
|---------|--------------------------|---|
| 1 | $\overline{\text{CS}}$ | Chip Select pin This is an input pin to make chips select. When $\overline{\text{CS}}$ is "H" level, device is in deselect (standby) status and SO becomes High-Z. Inputs from other pins are ignored for this time. When $\overline{\text{CS}}$ is "L" level, device is in select (active) status. $\overline{\text{CS}}$ has to be "L" level before inputting op-code. The Chip Select pin is pulled up internally to the VDD pin. |
| 3 | $\overline{\text{WP}}$ | Write Protect pin This is a pin to control writing to a status register. The writing of status register (see "■ STATUS REGISTER") is protected in related with $\overline{\text{WP}}$ and WPEN. See "■ WRITING PROTECT" for detail. |
| 7 | $\overline{\text{HOLD}}$ | Hold pin This pin is used to interrupt serial input/output without making chips deselect. When $\overline{\text{HOLD}}$ is "L" level, hold operation is activated, SO becomes High-Z, SCK and SI become do not care. While the hold operation, $\overline{\text{CS}}$ has to be retained "L" level. |
| 6 | SCK | Serial Clock pin This is a clock input pin to input/output serial data. SI is loaded synchronously to a rising edge, SO is output synchronously to a falling edge. |
| 5 | SI | Serial Data Input pin This is an input pin of serial data. This inputs op-code, address, and writing data. |
| 2 | SO | Serial Data Output pin This is an output pin of serial data. Reading data of FRAM memory cell array and status register data are output. This is High-Z during standby. |
| 8 | VDD | Supply Voltage pin |
| 4 | VSS | Ground pin |

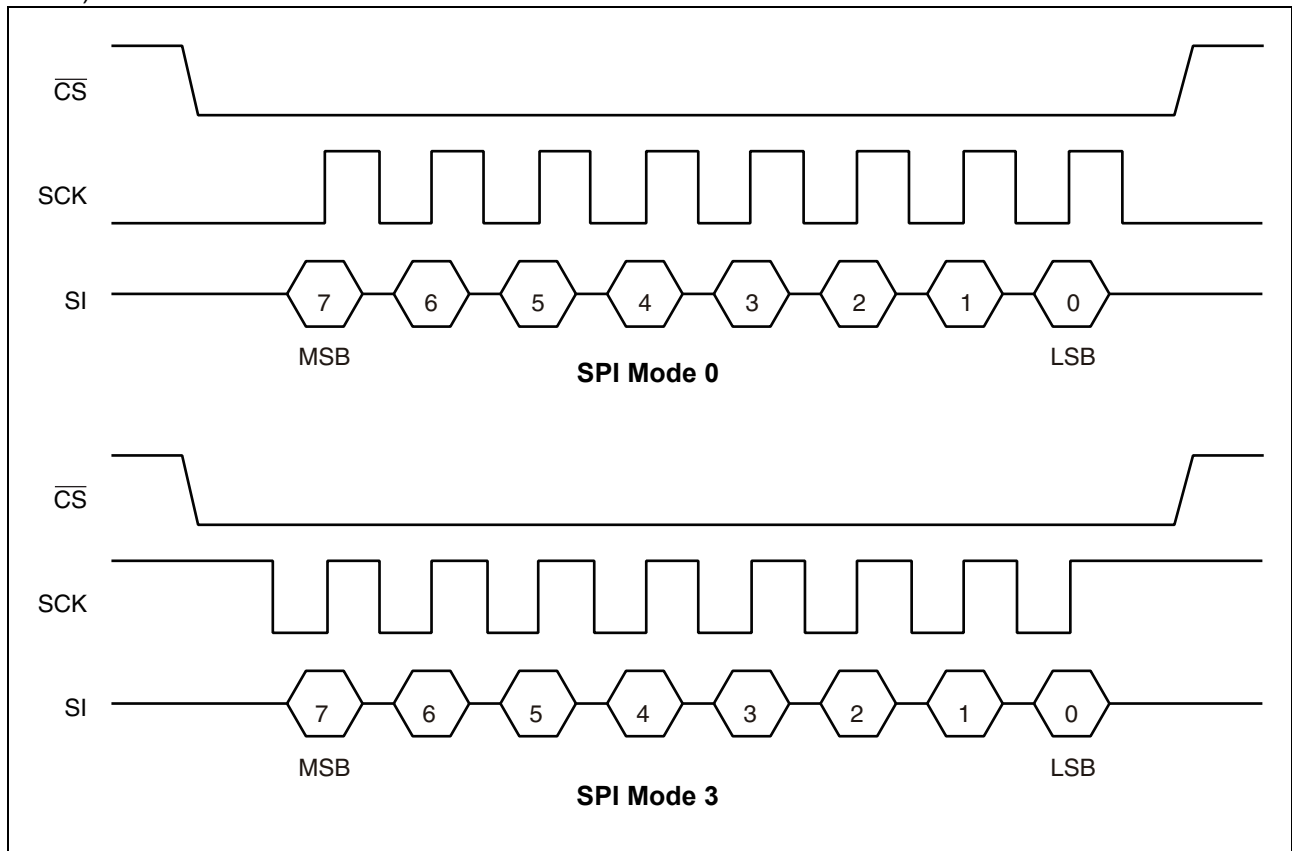
■ BLOCK DIAGRAM



MB85RS128TY

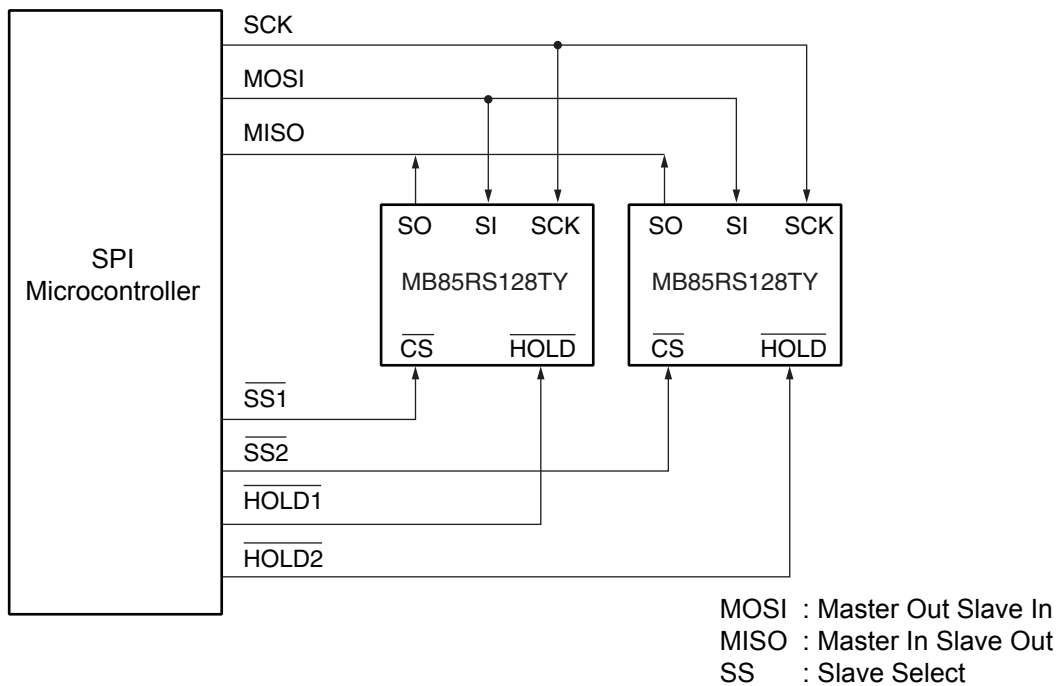
■ SPI MODE

MB85RS128TY corresponds to the SPI mode 0 (CPOL = 0, CPHA = 0), and SPI mode 3 (CPOL = 1, CPHA = 1).

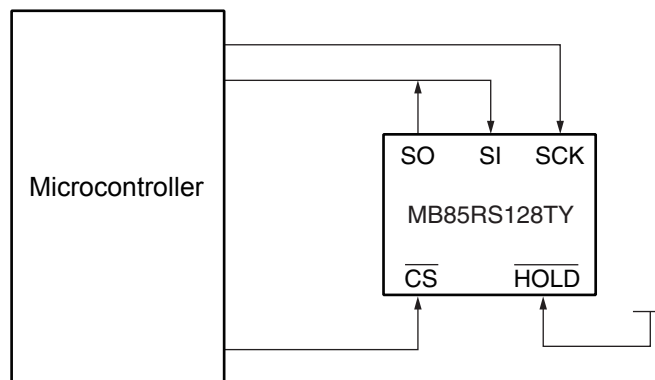


■ SERIAL PERIPHERAL INTERFACE (SPI)

MB85RS128TY works as a slave of SPI. More than 2 devices can be connected by using microcontroller equipped with SPI port. By using a microcontroller not equipped with SPI port, SI and SO can be bus connected to use.



System Configuration with SPI Port



System Configuration without SPI Port

■ STATUS REGISTER

| Bit No. | Bit Name | Function |
|---------|----------|---|
| 7 | WPEN | Status Register Write Protect This is a bit composed of nonvolatile memories (FRAM). WPEN protects writing to a status register (refer to "■ WRITING PROTECT") relating with \overline{WP} input. Writing with the WRSR command and reading with the RDSR command are possible. |
| 6 to 4 | — | Not Used Bits These are bits composed of nonvolatile memories, writing with the WRSR command is possible. These bits are not used but they are read with the RDSR command. |
| 3 | BP1 | Block Protect This is a bit composed of nonvolatile memory. This defines size of write protect block for the WRITE command (refer to "■ BLOCK PROTECT"). Writing with the WRSR command and reading with the RDSR command are possible. |
| 2 | BP0 | |
| 1 | WEL | Write Enable Latch This indicates FRAM Array and status register are writable. The WREN command is for setting, and the WRDI command is for resetting. With the RDSR command, reading is possible but writing is not possible with the WRSR command. WEL is reset after the following operations. After power ON. After WRDI command recognition. The following rising edges do not reset WEL. The rising edge of \overline{CS} after WRSR command recognition. The rising edge of \overline{CS} after WRITE command recognition. |
| 0 | 0 | This is a bit fixed to "0". |

■ OP-CODE

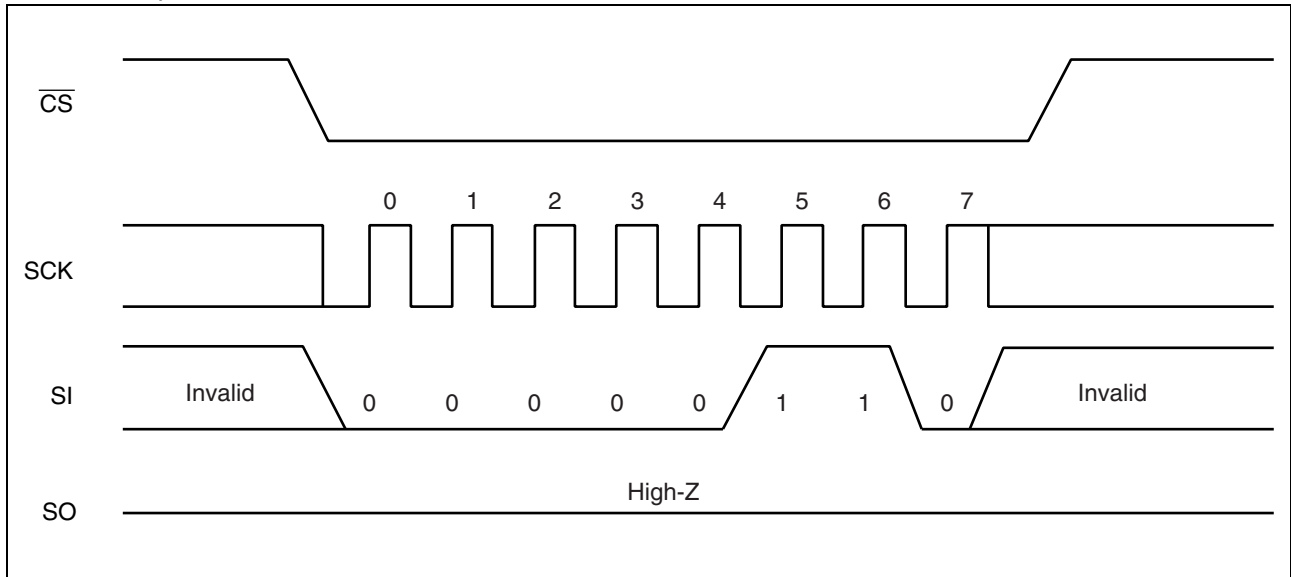
MB85RS128TY accepts 8 kinds of command specified in op-code. Op-code is a code composed of 8 bits shown in the table below. Do not input invalid codes other than those codes. If \overline{CS} is risen while inputting op-code, the command are not performed.

| Name | Description | Op-code |
|-------|--------------------------|------------------------|
| WREN | Set Write Enable Latch | 0000 0110 _B |
| WRDI | Reset Write Enable Latch | 0000 0100 _B |
| RDSR | Read Status Register | 0000 0101 _B |
| WRSR | Write Status Register | 0000 0001 _B |
| READ | Read Memory Code | 0000 0011 _B |
| WRITE | Write Memory Code | 0000 0010 _B |
| RDID | Read Device ID | 1001 1111 _B |
| SLEEP | Sleep Mode | 1011 1001 _B |

■ COMMAND

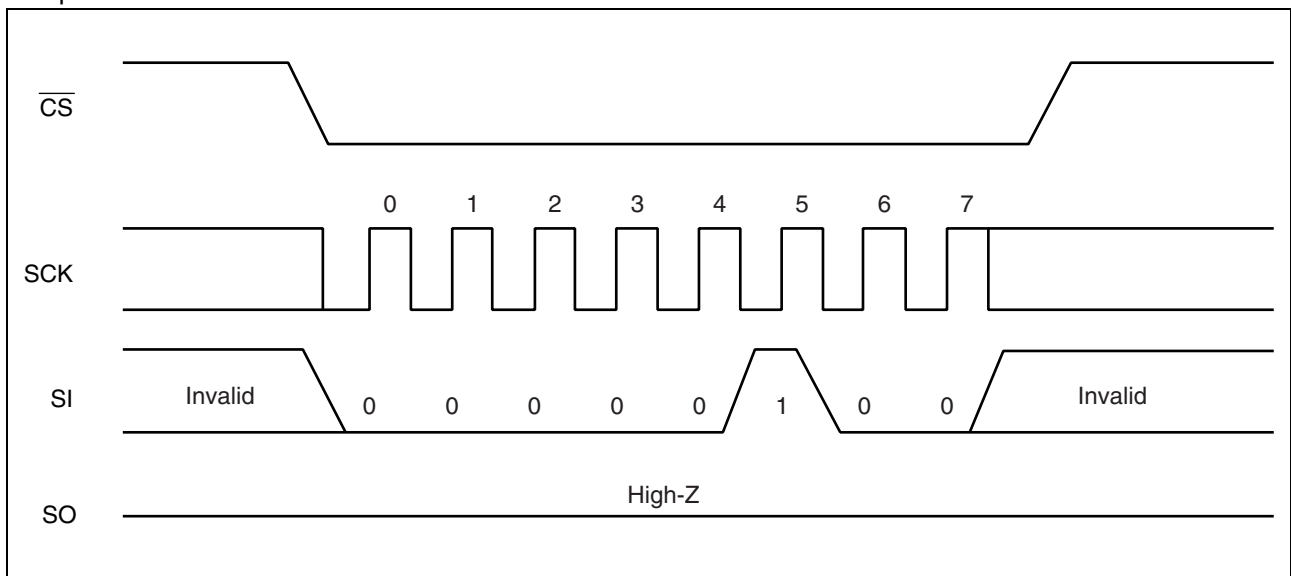
• WREN

The WREN command sets WEL (Write Enable Latch) bit to 1. WEL has to be set with the WREN command before writing operation (WRSR command and WRITE command). WREN command is applicable to "Up to 33 MHz operation".



• WRDI

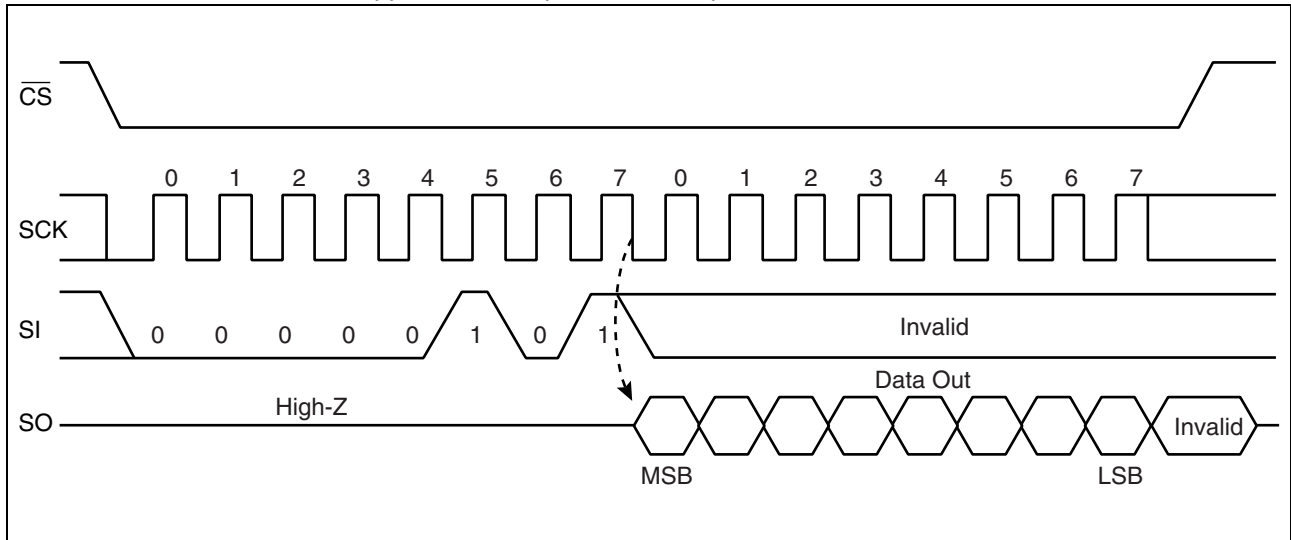
The WRDI command resets WEL (Write Enable Latch) bit to 0. Writing operation (WRSR command and WRITE command) are not performed when WEL is reset. WRDI command is applicable to "Up to 33 MHz operation".



MB85RS128TY

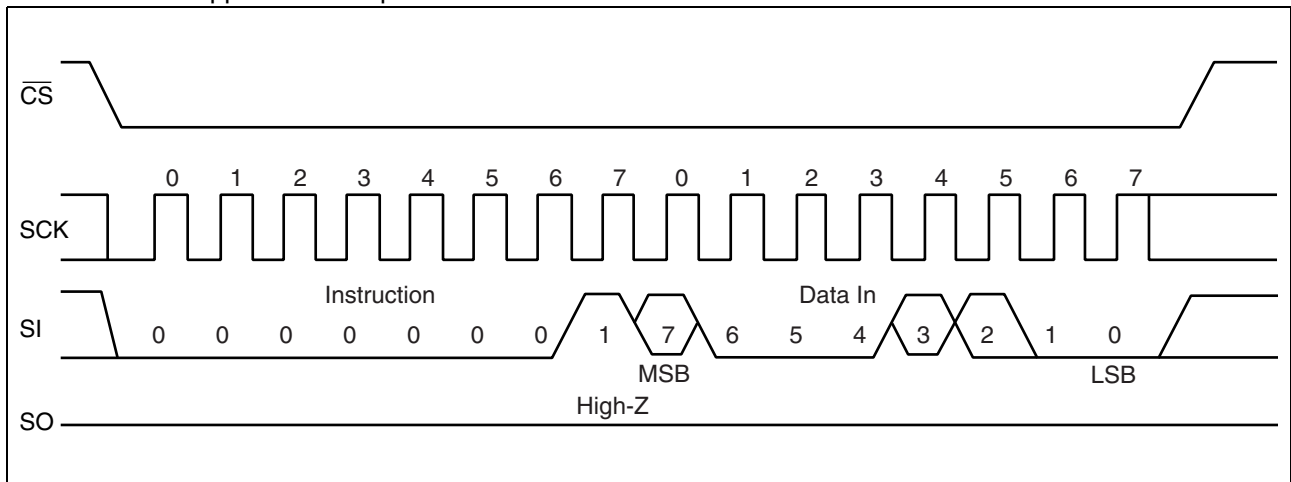
• RDSR

The RDSR command reads status register data. After op-code of RDSR is input to SI, 8-cycle clock is input to SCK. The SI value is invalid for this time. SO is output synchronously to a falling edge of SCK. In the RDSR command, repeated reading of status register is enabled by sending SCK continuously before rising of \overline{CS} . RDSR command is applicable to "Up to 33 MHz operation".



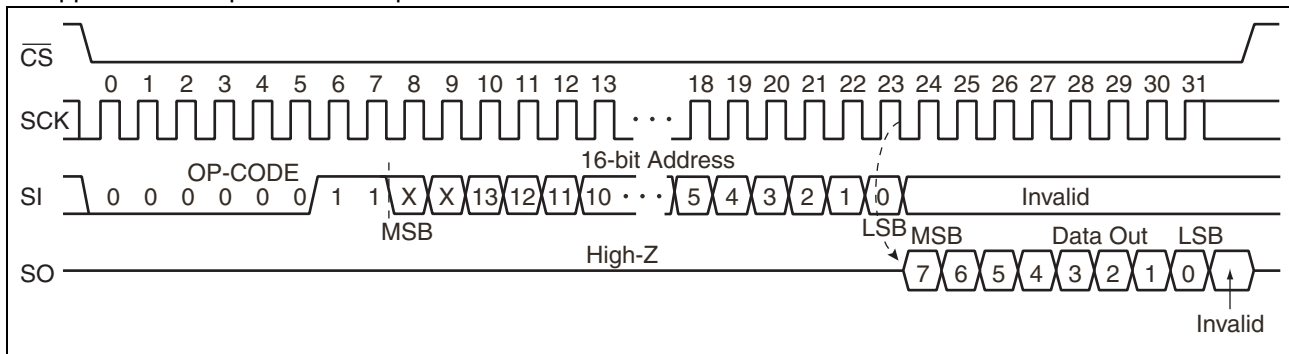
• WRSR

The WRSR command writes data to the nonvolatile memory bit of status register. After performing WRSR op-code to a SI pin, 8 bits writing data is input. WEL (Write Enable Latch) is not able to be written with WRSR command. A SI value correspondent to bit 1 is ignored. Bit 0 of the status register is fixed to "0" and cannot be written. The SI value corresponding to bit 0 is ignored. \overline{WP} signal level shall be fixed before performing WRSR command, and do not change the \overline{WP} signal level until the end of command sequence. WRSR command is applicable to "Up to 33 MHz".



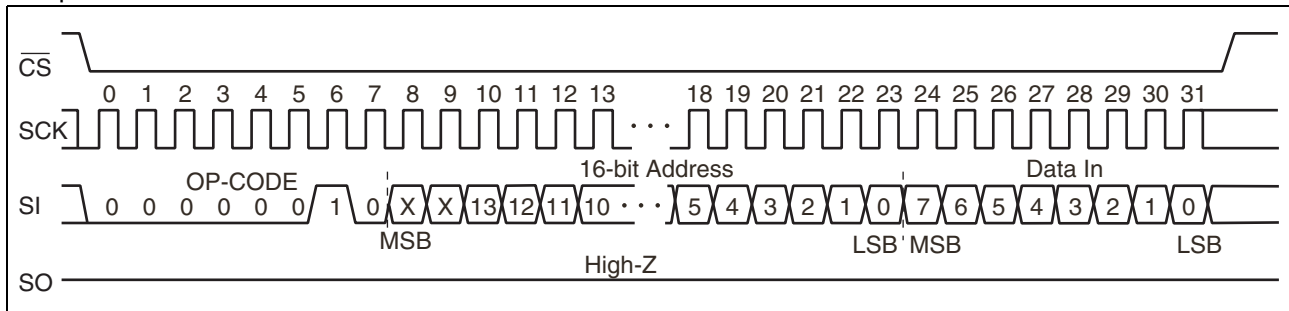
• READ

The READ command reads FRAM memory cell array data. Arbitrary 16 bits address and op-code of READ are input to SI. The upper two address bits are invalid. Then, 8-cycle clock is input to SCK. SO is output synchronously to the falling edge of SCK. While reading, the SI value is invalid. When \overline{CS} is risen, the READ command is completed, but keeps on reading with automatic address increment which is enabled by continuously sending clocks to SCK in unit of 8 cycles before \overline{CS} rising. When it reaches the most significant address, it rolls over to the starting address, and reading cycle keeps on infinitely. READ command is applicable to "Up to 33 MHz operation".



• WRITE

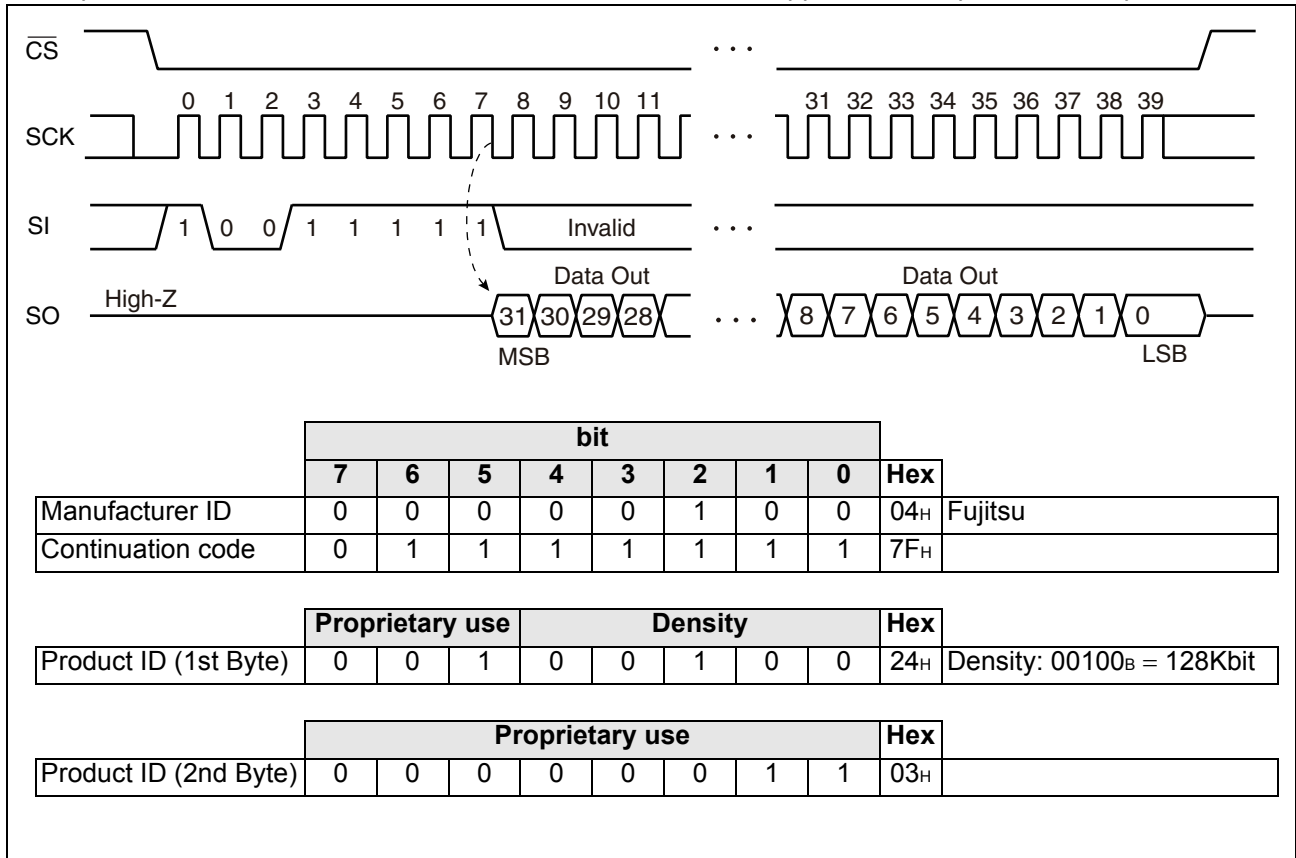
The WRITE command writes data to FRAM memory cell array. WRITE op-code, arbitrary 16 bits of address and 8 bits of writing data are input to SI. The upper two address bits are invalid. When 8 bits of writing data is input, data is written to FRAM memory cell array. Risen \overline{CS} will terminate the WRITE command, but if you continue sending the writing data for 8 bits each before \overline{CS} rising, it is possible to continue writing with automatic address increment. When it reaches the most significant address, it rolls over to the starting address, and writing cycle can be continued infinitely. WRITE command is applicable to "Up to 33 MHz operation".



MB85RS128TY

• RDID

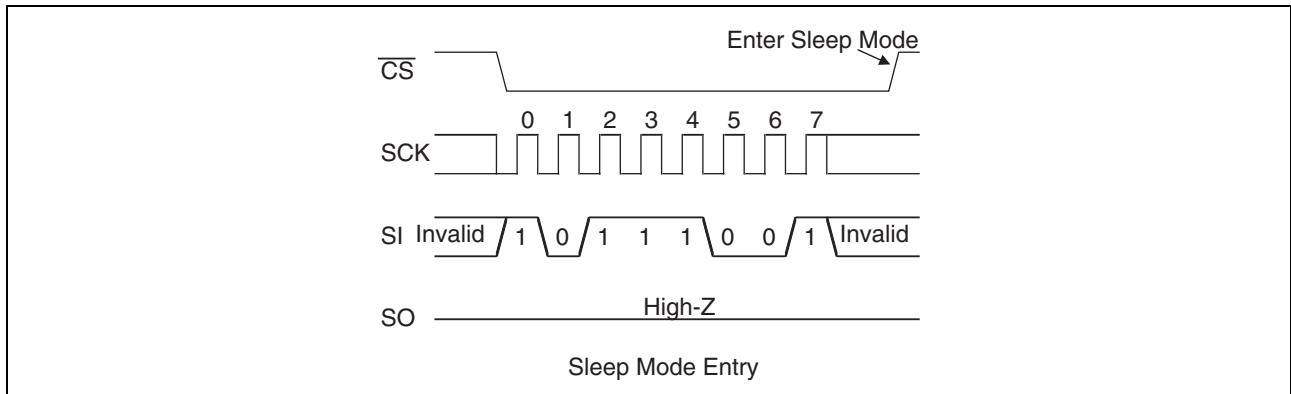
The RDID command reads fixed Device ID. After performing RDID op-code to SI, 32-cycle clock is input to SCK. The SI value is invalid for this time. SO is output synchronously to a falling edge of SCK. The output is in order of Manufacturer ID (8bit)/Continuation code (8bit)/Product ID (1st Byte)/Product ID (2nd Byte). In the RDID command, 32-bit Device ID is output by continuously sending SCK clock, and SO holds the output state of the last bit until CS is risen. RDID command is applicable to “Up to 33 MHz operation”.



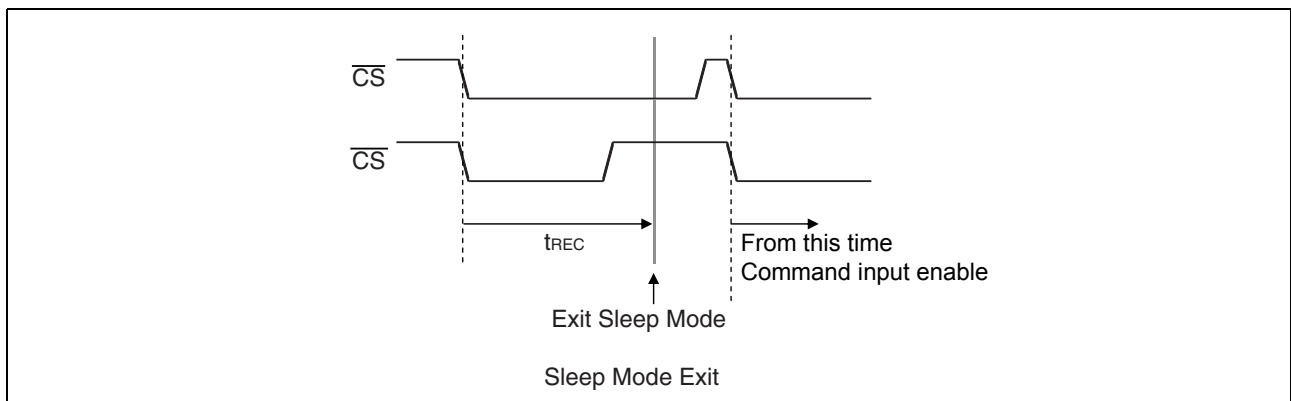
• SLEEP

The SLEEP command shifts the LSI to a low power mode called "SLEEP mode". The transition to the SLEEP mode is carried out at the rising edge of \overline{CS} after operation code in the SLEEP command. However, when at least one SCK clock is inputted before the rising edge of \overline{CS} after operation code in the SLEEP command, this SLEEP command is canceled.

After the SLEEP mode transition, SCK and SI inputs are ignored and SO changes to a High-Z state.



Returning to a normal operation from the SLEEP mode is carried out after t_{REC} (Max 400 μ s) time from the falling edge of \overline{CS} (see the figure below). It is possible to return \overline{CS} to H level before t_{REC} time. However, it is prohibited to bring down \overline{CS} to L level again during t_{REC} period.



■ BLOCK PROTECT

Writing protect block for WRITE command is configured by the value of BP0 and BP1 in the status register.

| BP1 | BP0 | Protected Block |
|-----|-----|--|
| 0 | 0 | None |
| 0 | 1 | 3000 _H to 3FFF _H (upper 1/4) |
| 1 | 0 | 2000 _H to 3FFF _H (upper 1/2) |
| 1 | 1 | 0000 _H to 3FFF _H (all) |

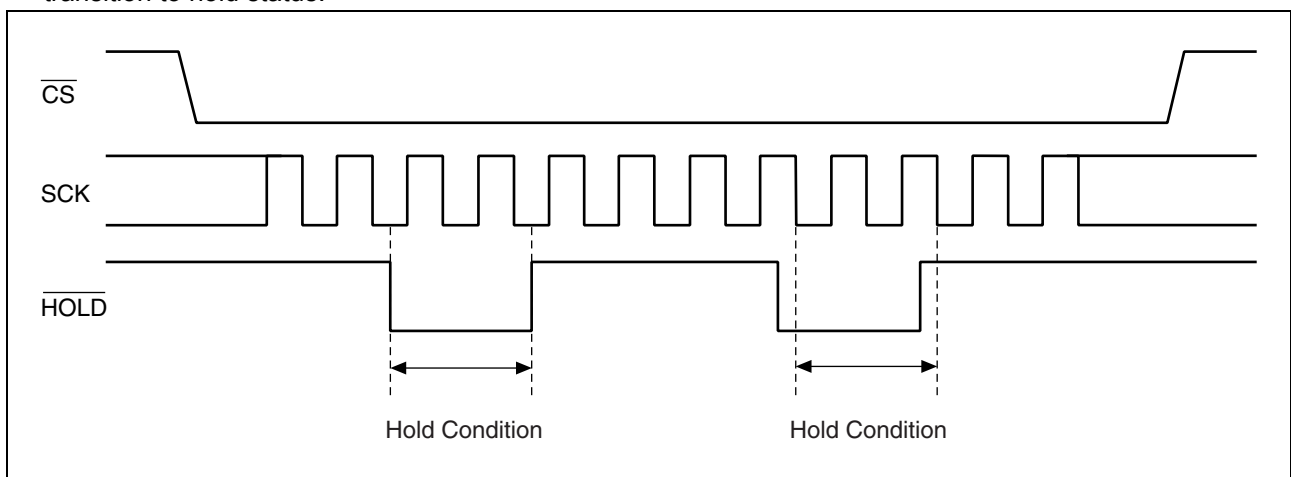
■ WRITING PROTECT

Writing operation of the WRITE command and the WRSR command are protected with the value of WEL, WPEN, WP as shown in the table.

| WEL | WPEN | WP | Protected Blocks | Unprotected Blocks | Status Register |
|-----|------|----|------------------|--------------------|-----------------|
| 0 | X | X | Protected | Protected | Protected |
| 1 | 0 | X | Protected | Unprotected | Unprotected |
| 1 | 1 | 0 | Protected | Unprotected | Protected |
| 1 | 1 | 1 | Protected | Unprotected | Unprotected |

■ HOLD OPERATION

Hold status is retained without aborting a command if $\overline{\text{HOLD}}$ is "L" level while $\overline{\text{CS}}$ is "L" level. The timing for starting and ending hold status depends on the SCK to be "H" level or "L" level when a HOLD pin input is transitioned to the hold condition as shown in the diagram below. In case the HOLD pin transitioned to "L" level when SCK is "L" level, return the HOLD pin to "H" level at SCK being "L" level. In the same manner, in case the HOLD pin transitioned to "L" level when SCK is "H" level, return the HOLD pin to "H" level at SCK being "H" level. Arbitrary command operation is interrupted in hold status, SCK and SI inputs become do not care. And, SO becomes High-Z while reading command (RDSR, READ). If $\overline{\text{CS}}$ is rising during hold status, a command is aborted. In case the command is aborted before its recognition, WEL holds the value before transition to hold status.



■ ABSOLUTE MAXIMUM RATINGS

| Parameter | Symbol | Rating | | Unit |
|-------------------------------|-----------|--------|----------------|------|
| | | Min | Max | |
| Power supply voltage* | V_{DD} | - 0.5 | + 4.0 | V |
| Input voltage* | V_{IN} | - 0.5 | $V_{DD} + 0.5$ | V |
| Output voltage* | V_{OUT} | - 0.5 | $V_{DD} + 0.5$ | V |
| Operation ambient temperature | T_A | - 40 | + 125 | °C |
| Storage temperature | T_{stg} | - 55 | + 150 | °C |

*: These parameters are based on the condition that V_{SS} is 0 V.

WARNING: Semiconductor devices may be permanently damaged by application of stress (including, without limitation, voltage, current or temperature) in excess of absolute maximum ratings. Do not exceed any of these ratings.

■ RECOMMENDED OPERATING CONDITIONS

| Parameter | Symbol | Value | | | Unit |
|---------------------------------|----------|-------|-----|-------|------|
| | | Min | Typ | Max | |
| Power supply voltage*1 | V_{DD} | 1.8 | 3.3 | 3.6 | V |
| Operation ambient temperature*2 | T_A | - 40 | — | + 125 | °C |

*1: These parameters are based on the condition that V_{SS} is 0 V.

*2: Ambient temperature when only this device is working. Please consider it to be the almost same as the package surface temperature.

WARNING: The recommended operating conditions are required in order to ensure the normal operation of the semiconductor device. All of the device's electrical characteristics are warranted when the device is operated under these conditions.

Any use of semiconductor devices will be under their recommended operating condition. Operation under any conditions other than these conditions may adversely affect reliability of device and could result in device failure.

No warranty is made with respect to any use, operating conditions or combinations not represented on this data sheet. If you are considering application under any conditions other than listed herein, please contact sales representatives beforehand.

■ ELECTRICAL CHARACTERISTICS

1. DC Characteristics

(within recommended operating conditions)

| Parameter | Symbol | Condition | Value | | | Unit | |
|---|-----------------|--|-----------------------|-----|-----------------------|------|----|
| | | | Min | Typ | Max | | |
| Input leakage current*1 | I _{LI} | $0 \leq \overline{\text{CS}} < V_{\text{DD}}$ | — | — | 200 | μA | |
| | | $\overline{\text{CS}} = V_{\text{DD}}$ | 25 °C | — | — | | 1 |
| | | | 125 °C | — | — | | 2 |
| | | $\overline{\text{WP}}, \overline{\text{HOLD}}, \text{SCK}$ $\text{SI} = 0 \text{ V to } V_{\text{DD}}$ | 25 °C | — | — | | 1 |
| 125 °C | — | | — | 2 | | | |
| Output leakage current*2 | I _{LO} | $\text{SO} = 0 \text{ V to } V_{\text{DD}}$ | 25 °C | — | — | 1 | μA |
| | | | 125 °C | — | — | 2 | |
| Operating power supply current*3 | I _{DD} | SCK = 33 MHz | — | — | 2.3 | mA | |
| Standby current | I _{SB} | $\text{SCK} = \text{SI} = \overline{\text{CS}} =$ $\overline{\text{WP}} = \overline{\text{HOLD}} = V_{\text{DD}}$ | — | — | 45 | μA | |
| Sleep current | I _{ZZ} | $\overline{\text{CS}} = V_{\text{DD}}$ All inputs V _{SS} or V _{DD} | — | — | 12 | μA | |
| Input high voltage | V _{IH} | V _{DD} = 1.8 V to 3.6 V | V _{DD} × 0.8 | — | V _{DD} + 0.5 | V | |
| Input low voltage | V _{IL} | V _{DD} = 1.8 V to 3.6 V | - 0.5 | — | V _{DD} × 0.2 | V | |
| Output high voltage | V _{OH} | I _{OH} = - 2 mA | V _{DD} - 0.5 | — | — | V | |
| Output low voltage | V _{OL} | I _{OL} = 2 mA | — | — | 0.4 | V | |
| Pull up resistance for $\overline{\text{CS}}$ | R _P | — | 18 | 33 | 80 | kΩ | |

*1 : Applicable pin : $\overline{\text{CS}}, \overline{\text{WP}}, \overline{\text{HOLD}}, \text{SCK}, \text{SI}$

*2 : Applicable pin : SO

*3 : Input voltage magnitude : V_{DD} - 0.2 V or V_{SS}

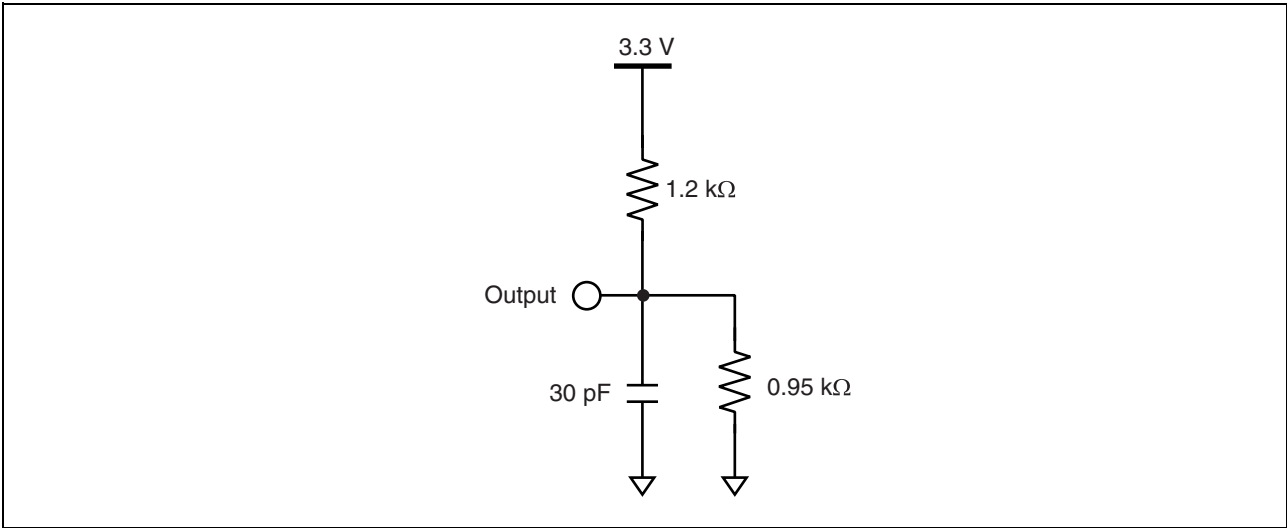
2. AC Characteristics

| Parameter | Symbol | Value | | Unit |
|---------------------------|------------------|-------|-----|------|
| | | Min | Max | |
| SCK clock frequency | f _{CK} | 0 | 33 | MHz |
| Clock high time | t _{CH} | 13 | — | ns |
| Clock low time | t _{CL} | 13 | — | ns |
| Chip select set up time | t _{CSU} | 10 | — | ns |
| Chip select hold time | t _{CSH} | 10 | — | ns |
| Output disable time | t _{OD} | — | 16 | ns |
| Output data valid time | t _{ODV} | — | 13 | ns |
| Output hold time | t _{OH} | 0 | — | ns |
| Deselect time | t _D | 40 | — | ns |
| Data in rising time | t _R | — | 50 | ns |
| Data falling time | t _F | — | 50 | ns |
| Data set up time | t _{SU} | 5 | — | ns |
| Data hold time | t _H | 5 | — | ns |
| HOLD set uptime | t _{HS} | 10 | — | ns |
| HOLD hold time | t _{HH} | 10 | — | ns |
| HOLD output floating time | t _{HZ} | — | 20 | ns |
| HOLD output active time | t _{LZ} | — | 20 | ns |
| SLEEP recovery time | t _{REC} | — | 400 | μs |

AC Test Condition

Power supply voltage : 1.8 V to 3.6 V Operation
 Operation ambient temperature : - 40 °C to + 125 °C
 Input voltage magnitude : $V_{DD} \times 0.8 \leq V_{IH} \leq V_{DD}$
 $0 \leq V_{IL} \leq V_{DD} \times 0.2$
 Input rising time : 5 ns
 Input falling time : 5 ns
 Input judge level : $V_{DD}/2$
 Output judge level : $V_{DD}/2$

AC Load Equivalent Circuit

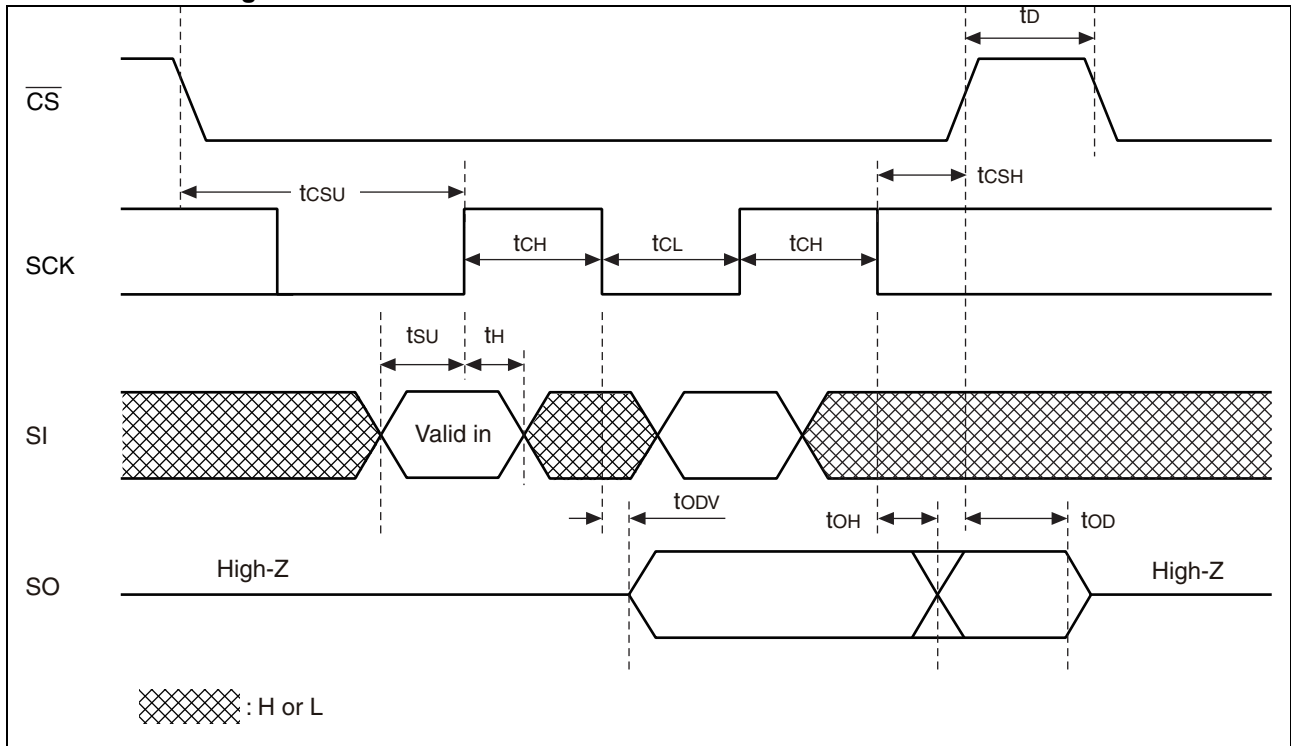


3. Pin Capacitance

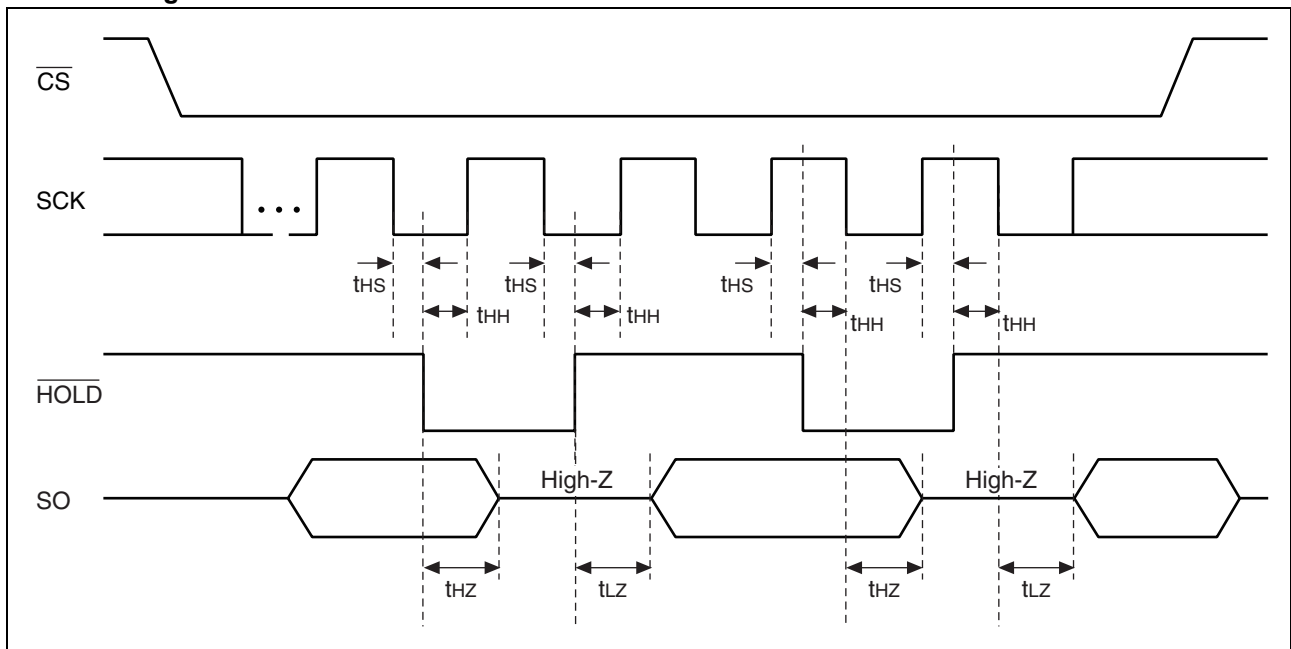
| Parameter | Symbol | Condition | Value | | Unit |
|--------------------|--------|---|-------|-----|------|
| | | | Min | Max | |
| Output capacitance | C_O | $V_{DD} = 3.3 \text{ V}$, $V_{IN} = V_{OUT} = 0 \text{ V to } V_{DD}$, $f = 1 \text{ MHz}$, $T_A = +25 \text{ }^\circ\text{C}$ | — | 8 | pF |
| Input capacitance | C_I | | — | 6 | pF |

■ TIMING DIAGRAM

• Serial Data Timing

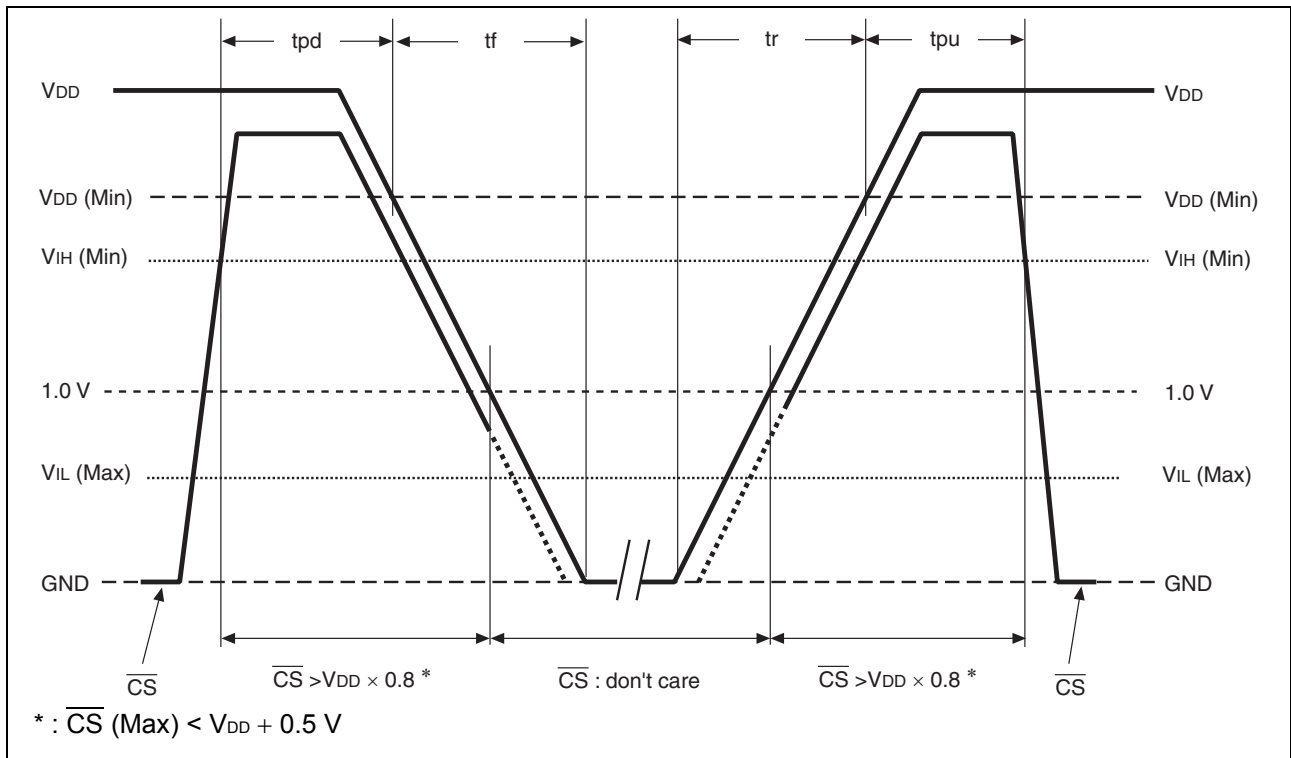


• Hold Timing



MB85RS128TY

POWER ON/OFF SEQUENCE



| Parameter | Symbol | Value | | Unit |
|--|--------|-------|-----|---------------|
| | | Min | Max | |
| \overline{CS} level hold time at power OFF | tpd | 400 | — | ns |
| \overline{CS} level hold time at power ON | tpu | 250 | — | μs |
| Power supply rising time | tr | 0.05 | — | ms/V |
| Power supply falling time | tf | 0.1 | — | ms/V |

If the device does not operate within the specified conditions of read cycle, write cycle or power on/off sequence, memory data can not be guaranteed.

FRAM CHARACTERISTICS

| Parameter | Value | | Unit | Remarks |
|------------------------------------|---------------------------|-----|------------|---|
| | Min | Max | | |
| Read/Write Endurance ^{*1} | 10^{13} | — | Times/byte | Operation Ambient Temperature $T_A = +85 \text{ }^\circ\text{C}$ |
| Data Retention ^{*2} | 2.5 or more ^{*3} | — | Years | Operation Ambient Temperature $T_A = +125 \text{ }^\circ\text{C}$ |
| | 8.2 | — | | Operation Ambient Temperature $T_A = +105 \text{ }^\circ\text{C}$ |
| | 10 | — | | Operation Ambient Temperature $T_A = +85 \text{ }^\circ\text{C}$ |

*1 : Total number of reading and writing defines the minimum value of endurance, as an FRAM memory operates with destructive readout mechanism.

*2: Minimum values define retention time of the first reading/writing data right after shipment, and these values are calculated by qualification results.

*3: Under evaluation for more than 2.5 years (+125 °C).

NOTE ON USE

We recommend programming of the device after reflow. Data written before reflow cannot be guaranteed.

■ ESD AND LATCH-UP

| Test | DUT | Value |
|--|-----------------------|-------------------------|
| ESD HBM (Human Body Model) JESD22-A114 compliant | MB85RS128TYPNF-G-BCE1 | $\geq 2000 \text{ V} $ |
| ESD MM (Machine Model) JESD22-A115 compliant | | $\geq 200 \text{ V} $ |
| ESD CDM (Charged Device Model) JESD22-C101 compliant | | $\geq 1000 \text{ V} $ |
| Latch-Up (I-test) JESD78 compliant | | $\geq 125 \text{ mA} $ |
| Latch-Up (V_{supply} overvoltage test) JESD78 compliant | | $\geq 5.4\text{V}$ |

■ REFLOW CONDITIONS AND FLOOR LIFE

[JEDEC MSL] : Moisture Sensitivity Level 3 (ISP/JEDEC J-STD-020D)

■ Current status on Contained Restricted Substances

This product complies with the regulations of REACH Regulations, EU RoHS Directive and China RoHS.

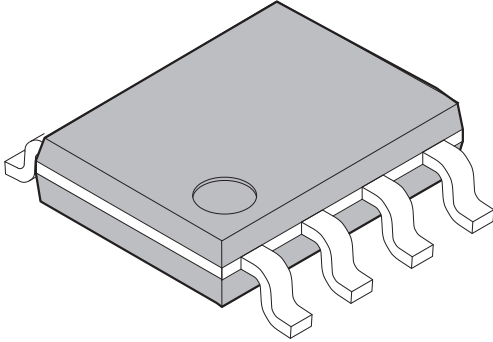
MB85RS128TY

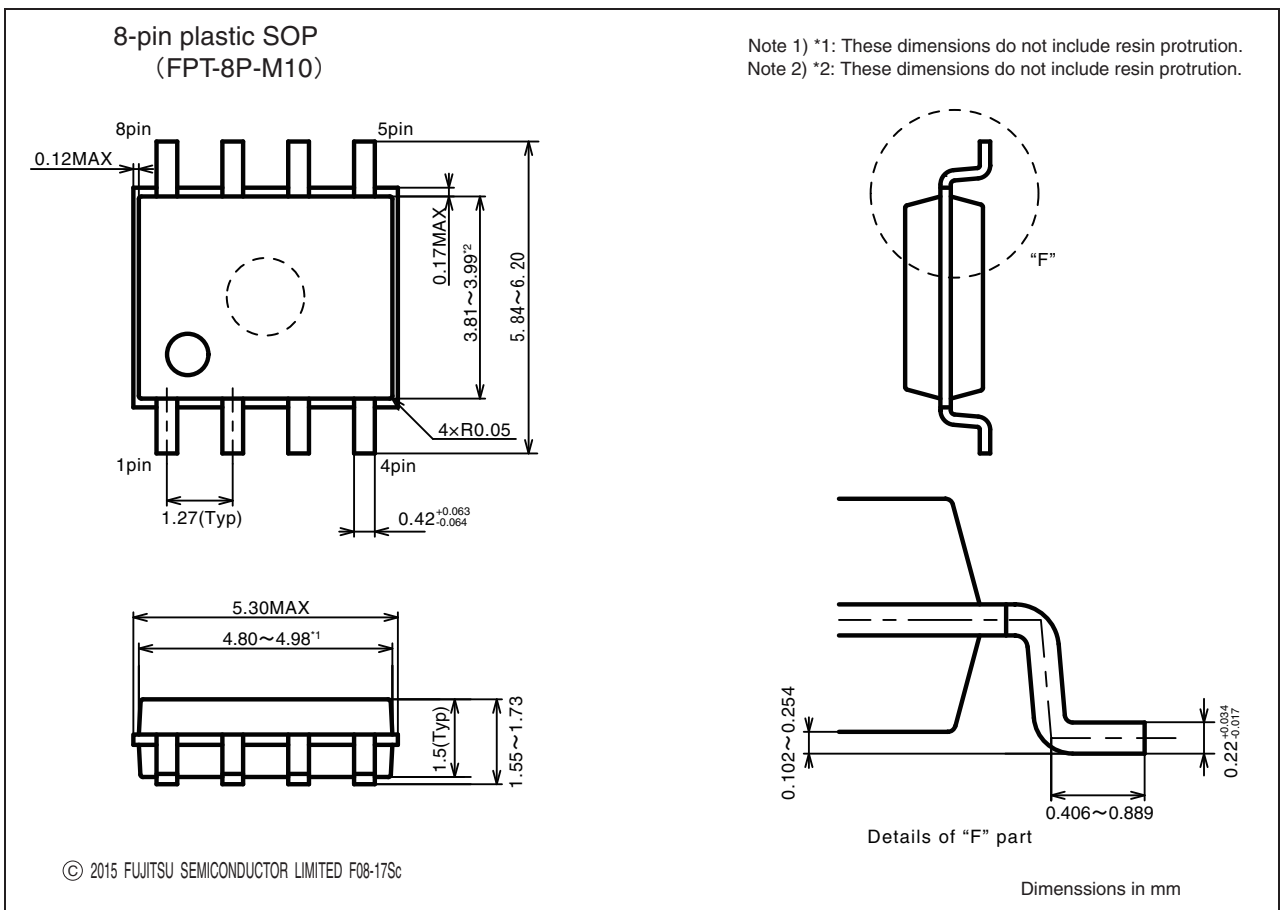
■ ORDERING INFORMATION

| Part number | Package | Shipping form | Minimum shipping quantity |
|-------------------------|-----------------------------------|-----------------------|---------------------------|
| MB85RS128TYPNF-G-BCE1 | 8-pin plastic SOP (FPT-8P-M10) | Tube | — * |
| MB85RS128TYPNF-G-BCERE1 | 8-pin plastic SOP (FPT-8P-M10) | Embossed Carrier tape | 1500 |

* : Please contact our sales office about minimum shipping quantity.

■ PACKAGE DIMENSION

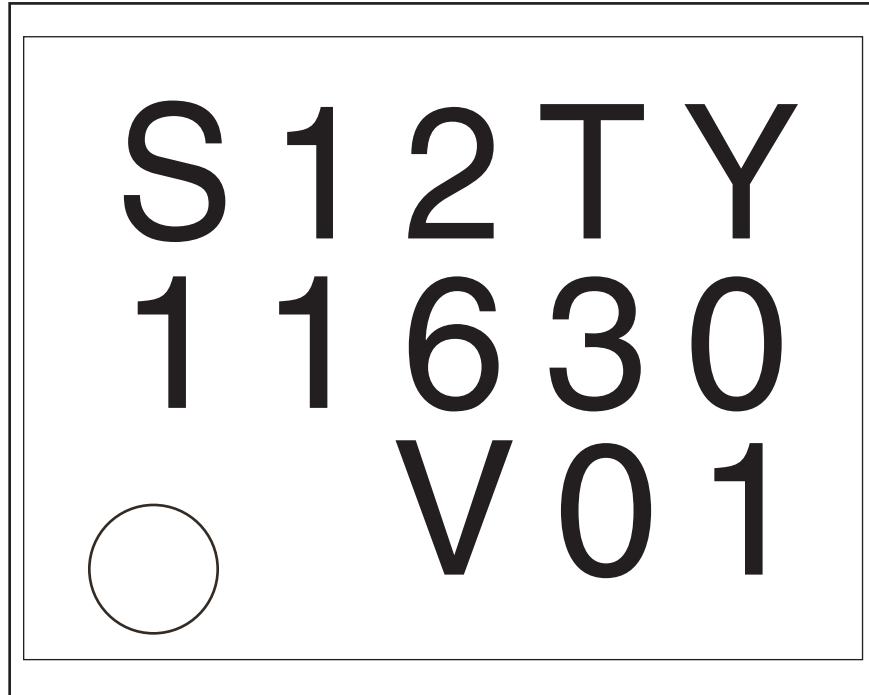
| | | |
|--|--------------------------------|------------------|
| <p>8-pin plastic SOP</p>  <p>(FPT-8P-M10)</p> | Lead pitch | 1.27 mm |
| | Package width × package length | 3.9 mm × 4.89 mm |
| | Lead shape | Gullwing |
| | Sealing method | Plastic mold |
| | Mounting height | 1.73 mm MAX |
| | Weight | 0.08 g |
| | | |



MB85RS128TY

■ MARKING (Example)

[MB85RS128TYPNF-G-BCE1]
[MB85RS128TYPNF-G-BCERE1]



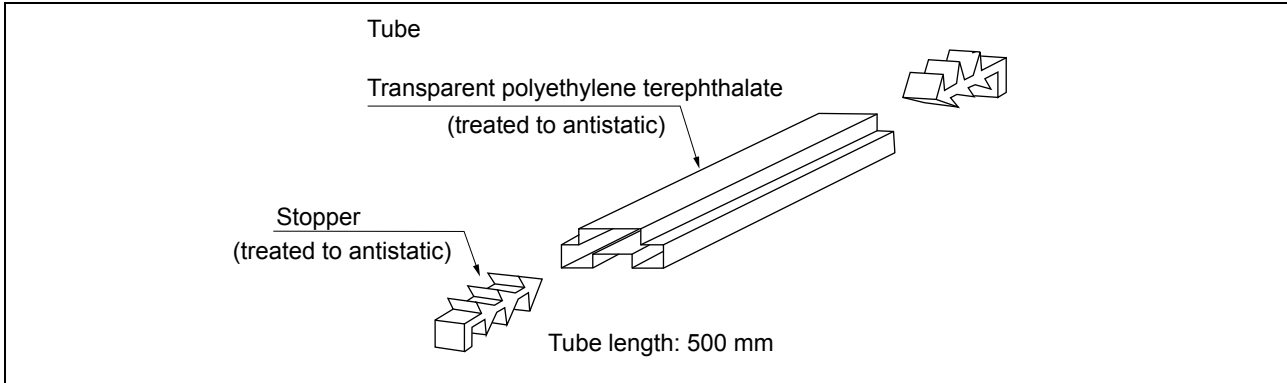
[FPT-8P-M10]

■ PACKING INFORMATION

1. Tube

1.1 Tube Dimensions

- Tube/stopper shape



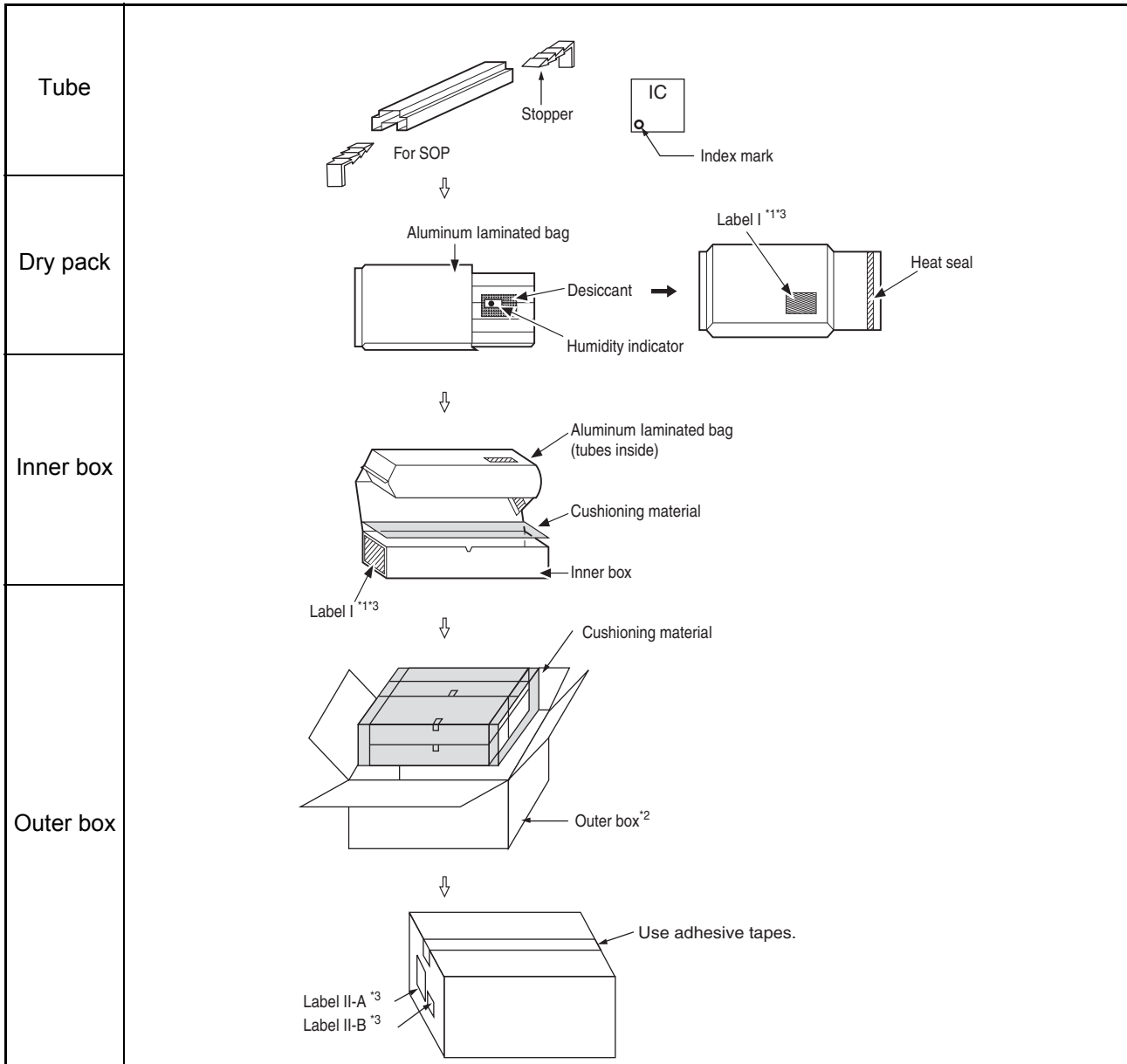
Tube cross-sections and Maximum quantity

| Package form | Package code | Maximum quantity | | |
|--|--------------|------------------|------------------|------------------|
| | | pcs/ tube | pcs/inner box | pcs/outer box |
| SOP, 8, plastic (2) $t = 0.6$ Transparent polyethylene terephthalate | FPT-8P-M10 | 85 | 4250 | 17000 |

(Dimensions in mm)

MB85RS128TY

1.2 Tube Dry pack packing specifications



*1: For a product of which part number is suffixed with "E1", a "G" (Pb) marks is display to the moisture barrier bag and the inner boxes.





*2: The space in the outer box will be filled with empty inner boxes, or cushions, etc.

*3: Please refer to an attached sheet about the indication label.




Note: The packing specifications may not be applied when the product is delivered via a distributor.

1.3 Product label indicators

Label I: Label on Inner box/Moisture Barrier Bag/ (It sticks it on the reel for the emboss tapping)
 [C-3 Label (50mm × 100mm) Supplemental Label (20mm × 100mm)]

| | |
|---|----------------------|
| XXXXXXXXXXXXXXXX (Customer part number or FJ part number) | ← C-3 Label |
| (3N)1 XXXXXXXXXXXXXXXXXXXX XXX (LEAD FREE mark) (Part number and quantity)  QC PASS | |
| (3N)2 XXXXXXXXXXXX XXXXXX (FJ control number)  | |
| XXX pcs (Quantity) XXXXXXXXXXXXXXXXXXXX (Customer part number or FJ part number)  (Customer part number or FJ part number bar code) | ← Perforated line |
| XXXX/XX/XX (Packed years/month/day) ASSEMBLED IN xxxx | ← Supplemental Label |
| XXXXXXXXXXXXXXXX (Customer part number or FJ part number) (FJ control number bar code)  XX/XX XXXX-XXX XXX (Package count) XXXX-XXX XXX | |
| XXXXXXXXXXXX (FJ control number) (Lot Number and quantity) XXXXXXXXXXXXXXXXXXXX (Comment) | |

Label II-A: Label on Outer box [D Label] (100mm × 100mm)

| | | |
|--|---|-----------|
| 発注者 XXXXXXXXXXXXXXXX (Customer Name) (CUST.) | 受注者 (VENDOR) 富士通 | ← D Label |
| 受渡場所名 XXXXXXXXXXXX (Delivery Address) (DELIVERY POINT) | セミコンダクター株式会社 | |
| 納品キー番号 XXXXXXXXXXXXXXXX (TRANS.NO.) (FJ control number) | XXX (FJ control number) XXX (FJ control number) XXX (FJ control number) | |
| 品名コード XXXXXXXXXXXXXXXX (PART NO.) (Customer part number or FJ part number) | XXXXXXXXXXXXXXXXX (Part number) | |
| 品名 (PART NAME) XXXXXXXXXXXXXXXX (Part number) | | |
| 入数/納入数量 XXX/XXX (Q'TY/TOTAL Q'TY) | 単位 XX (UNIT) | |
| 発注者用備考 (CUSTOMER'S REMARKS) XXXXXXXXXXXXXXXXXXXX | 梱包個数 (PACKAGE COUNT) XXX/XXX | |
| (3N)3 XXXXXXXXXXXXXXXX XXX  (FJ control number + Product quantity) (FJ control number + Product quantity bar code) | | |
| (3N)4 XXXXXXXXXXXXXXXX XXX  (Part number + Product quantity) (Part number + Product quantity bar code) | | |
| (3N)5 XXXXXXXXXXXXXXXX  (FJ control number) (FJ control number bar code) | | |

Label II-B: Outer boxes product indicate

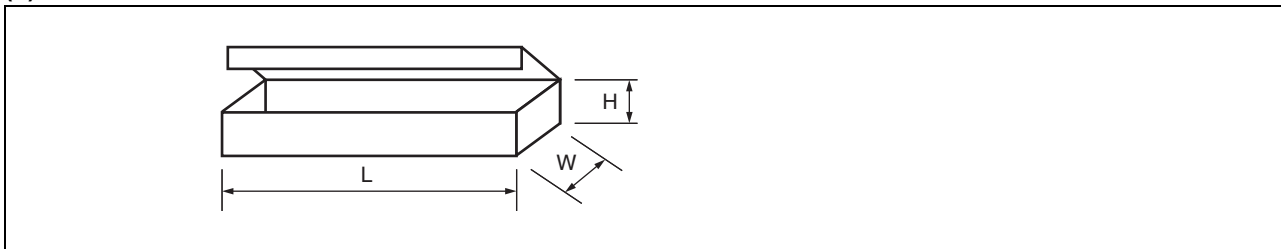
| |
|---------------------------------|
| XXXXXXXXXXXXXXXX (Part number) |
| (Lot Number) (Count) (Quantity) |
| XXXX-XXX X 箱 XXX 個 |
| XXXX-XXX X 箱 XXX 個 |
| 計 XXX 個 |

Note: Depending on shipment state, "Label II-A" and "Label II-B" on the external boxes might not be printed.

MB85RS128TY

1.4 Dimensions for Containers

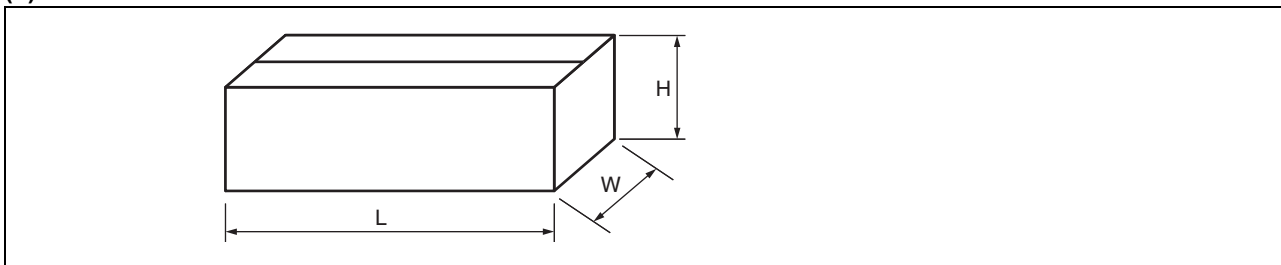
(1) Dimensions for inner box



| L | W | H |
|-----|-----|----|
| 533 | 124 | 73 |

(Dimensions in mm)

(2) Dimensions for outer box

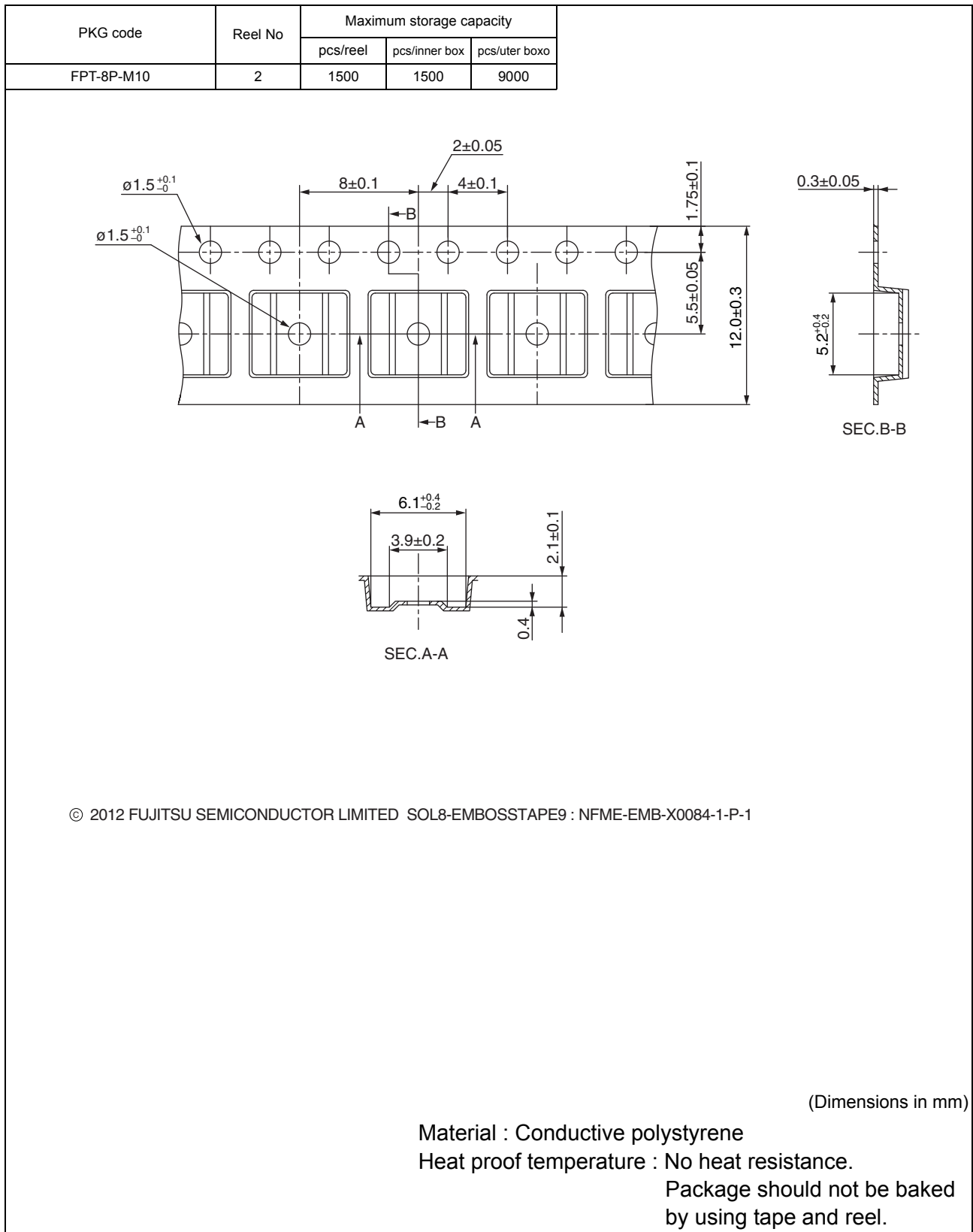


| L | W | H |
|-----|-----|-----|
| 549 | 277 | 180 |

(Dimensions in mm)

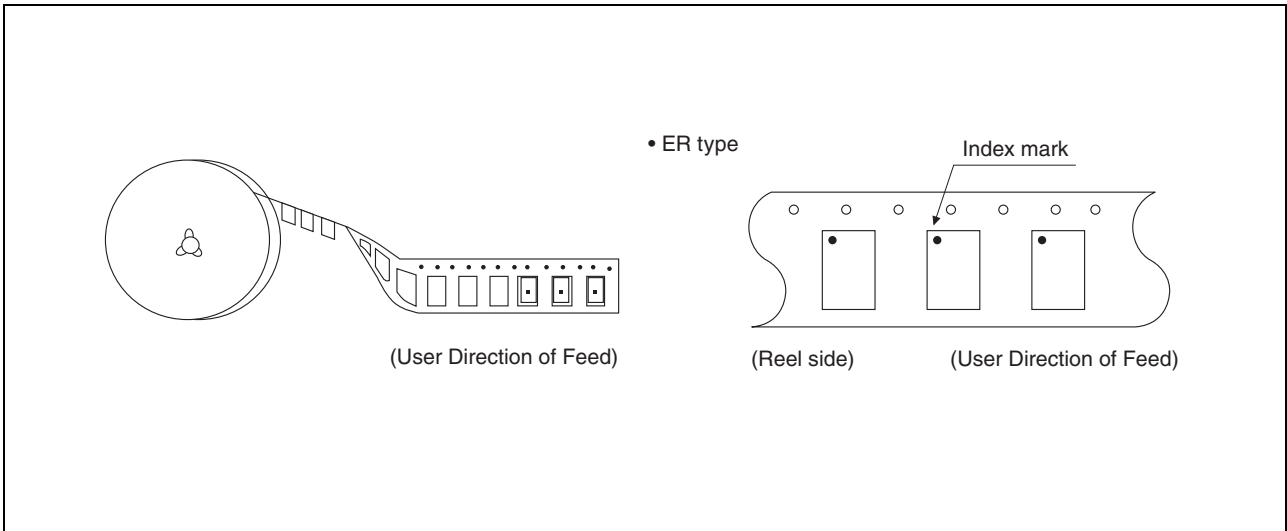
2. Emboss Tape (FPT-8P-M10)

2.1 Tape Dimensions

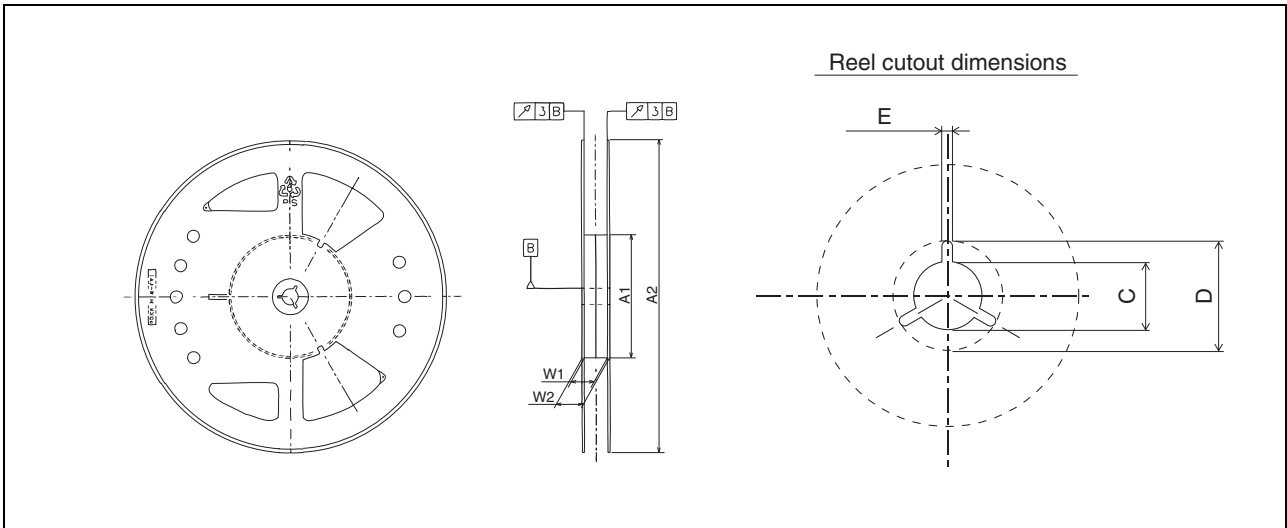


MB85RS128TY

2.2 IC orientation



2.3 Reel dimensions



Dimensions in mm

| A1 | A2 | C | D | E | W1 | W2 |
|-------|-------|--------|--------|-------|----------|----------|
| 100±1 | 254±2 | 13±0.2 | 21±0.8 | 2±0.5 | 13.5±1.0 | 17.5±1.0 |

2.4 Taping (φ254mm Reel) Dry Pack Packing Specifications

| | | |
|---|--|--|
| 1 | <p>Storage ICs in Embossed tape with designated numbers and direction, and wind it to the reel.</p> <p>Storage capacity: 1500pcs/tape</p> | |
| 2 | <p>Put an C-3 Label and Supplemental Label including part number, lot number and capacity on the specified reel area.</p> | |
| 3 | <p>Put Humidity Indicator and two Desiccants on the reel, and put into an Aluminum laminated bag.</p> | |
| 4 | <p>Seal Aluminum laminated bag with simple vacuum packing.</p> | |
| 5 | <p>Put C-3 Label, Supplemental Label and MSL label not to cover the indication of Aluminum laminated bag.</p> | |
| 6 | <p>Put the Aluminum laminated bag including reel into Inner box, and tape the Inner box.</p> | |
| 7 | <p>Put C-3 Label and Supplemental Label on the specified area of Inner box.</p> | |
| 8 | <p>Put Inner boxes (max 6 boxes with 3-stage and 2 columns) into an Outer box.</p> <p>* Outer box storage capacity: 6 Inner boxes (max) 9000pcs (max) = 1500 pcs / Inner box x 6 Inner boxes</p> | |
| 9 | <p>Close the cover of Outer box and fasten with adhesive tape.</p> | |

*1: For a product of which part number is suffixed with "E1", a "G" (Moisture Barrier) and "P" (Packaging) marks are displayed on the moisture barrier bag and the inner boxes.

*2: The size of the outer box may be changed depending on the quantity of inner boxes.

*3: The space in the outer box will be filled with empty inner boxes, or cushions, etc.

*4: Please refer to an attached sheet about the indication label.

: The packing specifications may not be applied when the product is delivered via a distributor.

MB85RS128TY

2.5 Product label indicators

Label I: Label on Inner box/Moisture Barrier Bag/ (It sticks it on the reel for the emboss tapping)
 [C-3 Label (50mm × 100mm) Supplemental Label (20mm × 100mm)]

| | |
|--|----------------------|
| XXXXXXXXXXXXXXXX (Customer part number or FJ part number) | ← C-3 Label |
| (3N)1 XXXXXXXXXXXXXXXX XXXX (LEAD FREE mark) XXXXXXXXXXXXXXXXXXXX (Part number and quantity) XXXXXXXXXXXXXXXXXXXX (FJ control number) XXXXXXXXXXXXXXXXXXXX (Quantity) XXXXXXXXXXXXXXXXXXXX (Customer part number or FJ part number) XXXXXXXXXXXXXXXXXXXX (Customer part number or FJ part number bar code) XXXX/XX/XX (Packed years/month/day) ASSEMBLED IN xxxx | |
| XXXXXXXXXXXXXXXXXXXX (Customer part number or FJ part number) XXXXXXXXXXXXXXXXXXXX (FJ control number bar code) XXXXXXXXXXXXXXXXXXXX (Package count) XXXX-XXX XXX XXXXXXXXXXXXXXXXXXXX (FJ control number) (Lot Number and quantity) XXXXXXXXXXXXXXXXXXXX (Comment) | ← Supplemental Label |

Label II-A: Label on Outer box [D Label] (100mm × 100mm)


| | | |
|---|---|-----------|
| 発注者 XXXXXXXXXXXXXXXX (Customer Name) (CUST.) | 受注者 (VENDOR) 富士通 | ← D Label |
| 受渡場所名 XXXXXXXXXXXXXXXX (Delivery Address) (DELIVERY POINT) | セミコンダクター株式会社 | |
| 納品キー番号 XXXXXXXXXXXXXXXX (TRANS.NO.) (FJ control number) | XXX (FJ control number) XXX (FJ control number) XXX (FJ control number) | |
| 品名コード XXXXXXXXXXXXXXXX (PART NO.) (Customer part number or FJ part number) | XXXXXXXXXXXXXXXXXXXX (Part number) | |
| 品名 (PART NAME) XXXXXXXXXXXXXXXX (Part number) | | |
| 入数/納入数量 XXX/XXX (Q'TY/TOTAL Q'TY) | 単位 XX (UNIT) | |
| 発注者用備考 (CUSTOMER'S REMARKS) XXXXXXXXXXXXXXXXXXXX | 梱包個数 (PACKAGE COUNT) XXX/XXX | |
| (3N)3 XXXXXXXXXXXXXXXX XXX XXXXXXXXXXXXXXXXXXXX | (FJ control number + Product quantity) (FJ control number + Product quantity bar code) | |
| (3N)4 XXXXXXXXXXXXXXXX XXX XXXXXXXXXXXXXXXXXXXX | (Part number + Product quantity) (Part number + Product quantity bar code) | |
| (3N)5 XXXXXXXXXXXXXXXX XXXXXXXXXXXXXXXXXXXX | (FJ control number) (FJ control number bar code) | |

Label II-B: Outer boxes product indicate

| | | |
|------------------------------------|-------------|------------------|
| XXXXXXXXXXXXXXXXXXXX (Part number) | | |
| (Lot Number) XXXX-XXX | (Count) X 箱 | (Quantity) XXX 個 |
| XXXXXXXX-XXX | X 箱 | XXX 個 |
| | 計 | XXX 個 |

Note: Depending on shipment state, "Label II-A" and "Label II-B" on the external boxes might not be printed.

Label III:Moisture Barrier Bag (It sticks it on the Aluminum laminated bag)
 [MSL Label (100mm × 70mm)]



Caution
 This bag contains
MOISTURE-SENSITIVE DEVICES

LEVEL

3

← MSL label

1. Calculated shelf life in sealed bag: 12 months at <40°C and <90% relative humidity (RH)
2. Peak package body temperature: 260°C
3. After bag is opened, devices that will be subjected to reflow solder or other high temperature process must be
 - a) Mounted within: 168 hours of factory conditions <30°C/60% RH, or
 - b) Stored per J-STD-033
4. Devices require bake, before mounting, if:
 - a) Humidity Indicator Card reads >10% for level 2a - 5a devices or >60% for level 2 devices when read at 23 ± 5°C
 - b) 3a or 3b are not met
5. If baking is required, refer to IPC/JEDEC J-STD-033 for bake procedure

Bag Seal Date: see adjacent bar code label.

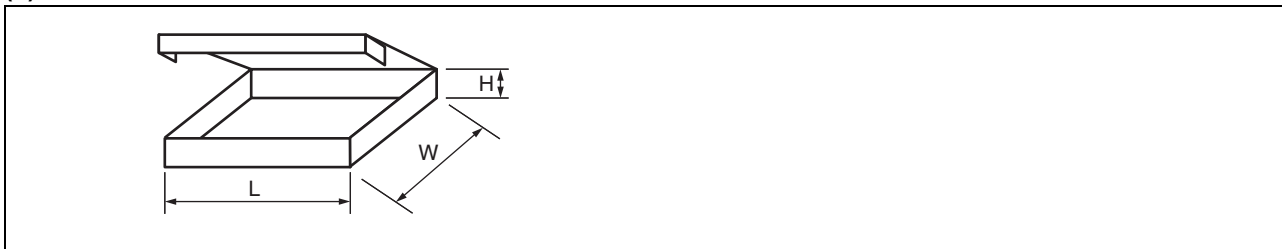
Note: Level and body temperature defined by IPC/JEDEC J-STD-020

Fujitsu Semiconductor Limited

MB85RS128TY

2.6 Dimensions for Containers

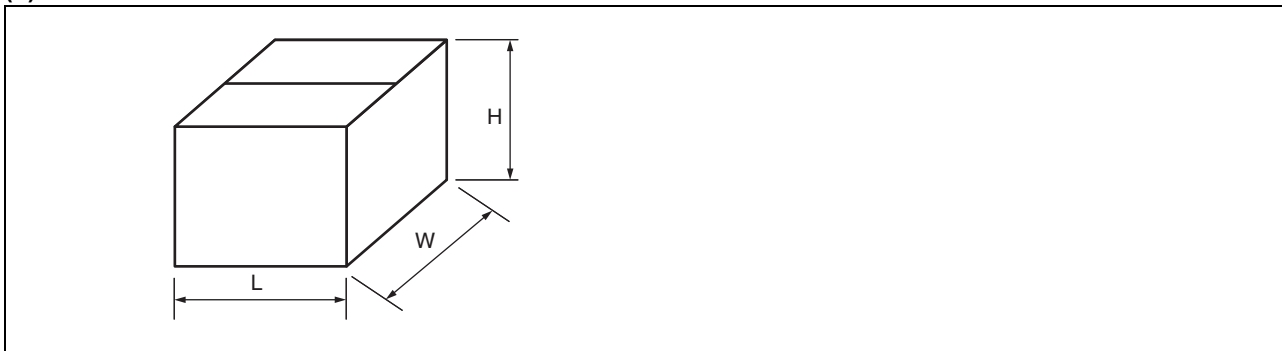
(1) Dimensions for inner box



| Tape width | L | W | H |
|------------|-----|-----|----|
| 12 | 265 | 262 | 51 |

(Dimensions in mm)

(2) Dimensions for outer box



| L | W | H |
|-----|-----|-----|
| 549 | 277 | 180 |

(Dimensions in mm)

■ MAJOR CHANGES IN THIS EDITION

A change on a page is indicated by a vertical line drawn left side of that page.

| Page | Section | Change Results |
|-------|-----------------------|---|
| 1 | ■FEATURES | Data retention is prolonged. 1year(125 °C), 10years(85 °C) --> 2.5years(125 °C), 8.2years(105 °C), 30years(85 °C) |
| 18 | ■FRAM CHARACTERISTICS | Data retention is prolonged. 1year(125 °C), 10years(85 °C) --> 2.5years(125 °C), 8.2years(105 °C), 30years(85 °C) |
| 23-32 | ■PACKING INFORMATION | Packing information for both tube and emboss tape are added. |

FUJITSU SEMICONDUCTOR LIMITED

Shin-Yokohama Chuo Building, 2-100-45 Shin-Yokohama,
Kohoku-ku, Yokohama, Kanagawa 222-0033, Japan
<http://jp.fujitsu.com/fsl/en/>

All Rights Reserved.

FUJITSU SEMICONDUCTOR LIMITED, its subsidiaries and affiliates (collectively, "FUJITSU SEMICONDUCTOR") reserves the right to make changes to the information contained in this document without notice. Please contact your FUJITSU SEMICONDUCTOR sales representatives before order of FUJITSU SEMICONDUCTOR device.

Information contained in this document, such as descriptions of function and application circuit examples is presented solely for reference to examples of operations and uses of FUJITSU SEMICONDUCTOR device. FUJITSU SEMICONDUCTOR disclaims any and all warranties of any kind, whether express or implied, related to such information, including, without limitation, quality, accuracy, performance, proper operation of the device or non-infringement. If you develop equipment or product incorporating the FUJITSU SEMICONDUCTOR device based on such information, you must assume any responsibility or liability arising out of or in connection with such information or any use thereof. FUJITSU SEMICONDUCTOR assumes no responsibility or liability for any damages whatsoever arising out of or in connection with such information or any use thereof.

Nothing contained in this document shall be construed as granting or conferring any right under any patents, copyrights, or any other intellectual property rights of FUJITSU SEMICONDUCTOR or any third party by license or otherwise, express or implied.

FUJITSU SEMICONDUCTOR assumes no responsibility or liability for any infringement of any intellectual property rights or other rights of third parties resulting from or in connection with the information contained herein or use thereof.

The products described in this document are designed, developed and manufactured as contemplated for general use including without limitation, ordinary industrial use, general office use, personal use, and household use, but are not designed, developed and manufactured as contemplated (1) for use accompanying fatal risks or dangers that, unless extremely high levels of safety is secured, could lead directly to death, personal injury, severe physical damage or other loss (including, without limitation, use in nuclear facility, aircraft flight control system, air traffic control system, mass transport control system, medical life support system and military application), or (2) for use requiring extremely high level of reliability (including, without limitation, submersible repeater and artificial satellite). FUJITSU SEMICONDUCTOR shall not be liable for you and/or any third party for any claims or damages arising out of or in connection with above-mentioned uses of the products.

Any semiconductor devices fail or malfunction with some probability. You are responsible for providing adequate designs and safeguards against injury, damage or loss from such failures or malfunctions, by incorporating safety design measures into your facility, equipments and products such as redundancy, fire protection, and prevention of overcurrent levels and other abnormal operating conditions.

The products and technical information described in this document are subject to the Foreign Exchange and Foreign Trade Control Law of Japan, and may be subject to export or import laws or regulations in U.S. or other countries. You are responsible for ensuring compliance with such laws and regulations relating to export or re-export of the products and technical information described herein. All company names, brand names and trademarks herein are property of their respective owners.