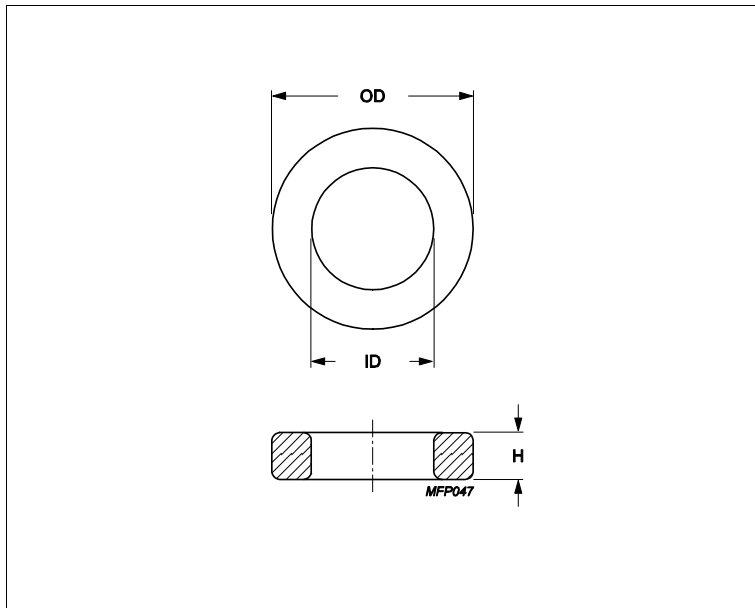


## Core **Toroid 87/54/14**



Effective parameters			
	Parameter	Value	Unit
$\Sigma(I/A)$	core factor (C1)	0.987	mm <sup>-1</sup>
<b>Ve</b>	effective volume	46400	mm <sup>3</sup>
<b>Le</b>	effective length	214	mm
<b>Ae</b>	effective area	217	mm <sup>2</sup>
<b>m</b>	mass of core	≈ 220	g/pcs

Epoxy coating DC isolation voltage 2000.

Maximum operating temperature of the coating is 200°C.

### Dimensions (mm)

Cores	OD	ID	H	
<b>T87/54/14</b>	87 ± 1.25	54.3 ± 0.9	13.5 ± 0.25	Uncoated
<b>TX87/54/14</b>	88.75 max	53 min	14.25 max	Epoxy Coated

### Core data

Cores	Material	AI (nH/turns <sup>2</sup> )	AI tolerance	μe
<b>T87/54/14</b>	3C11	5470	± 25%	≈ 4300
<b>T87/54/14</b>	3C94	2930	± 25%	≈ 2300
<b>T87/54/14</b>	3E27	7000	± 25%	≈ 5500

### Core data

Cores	Material	AI (nH/turns <sup>2</sup> )	AI tolerance	μe
<b>TX87/54/14</b>	3C11	5470	± 25%	≈ 4300
<b>TX87/54/14</b>	3C94	2930	± 25%	≈ 2300
<b>TX87/54/14</b>	3E27	7000	± 25%	≈ 5500