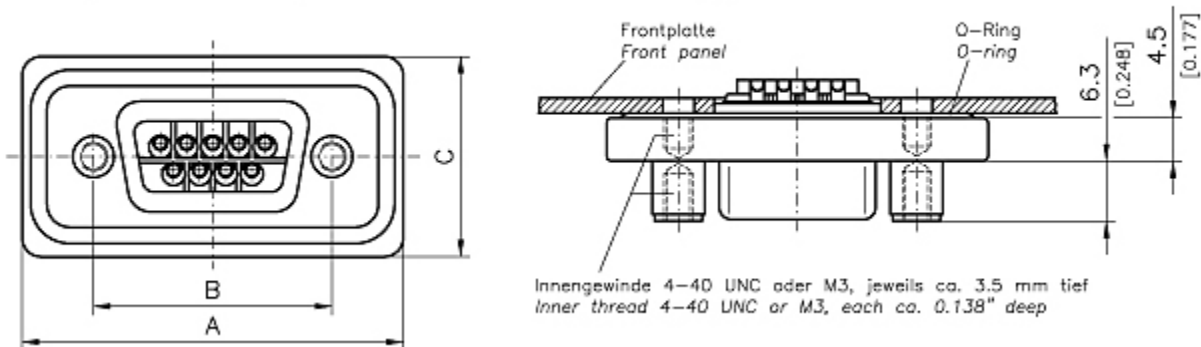


Waterproof connectors with metal watertight frame

Connectors with solder pot termination, front mounting

Dichtrahmen zur Befestigung auf der Frontseite der Montageplatte
 Watertight frame for fixing on the front side of the mounting plate

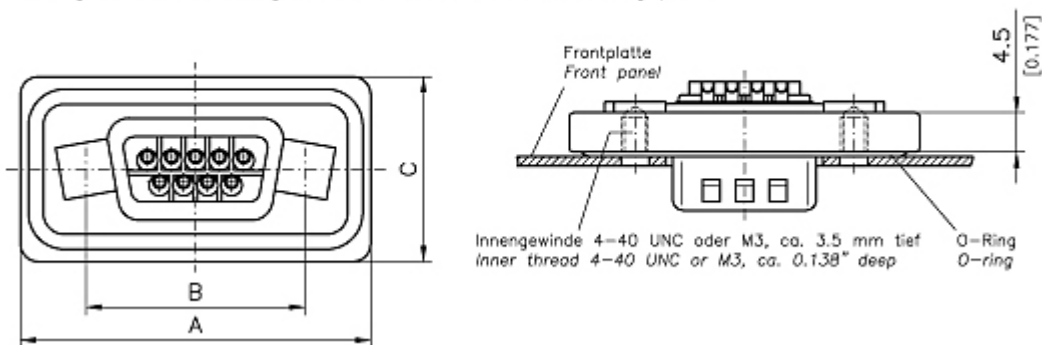


Connectors with solder pot termination, max. AWG 20

Number of contacts	A	B	C	Order number Pin	Order number socket	Inner thread	rec
	±0,2 (±0.008)	±0,1 (±0.004)	±0,2 (±0.008)			4-40 UNC	M3
9	40,0 (1.575)	25,0 (0.984)	21,0 (0.827)	FWDFM09P	FWDFM09S standard		- K413
15	48,3 (1.902)	33,3 (1.311)	21,0 (0.827)	FWDFM15P	FWDFM15S standard		- K413
25	62,0 (2.441)	47,04 (1.852)	21,00 (0.827)	FWDFM25P	FWDFM25S standard		- K413
37	78,5 (3.091)	63,5 (2.500)	21,0 (0.827)	FWDFM37P	FWDFM37S standard		- K413
50	76,1 (2.996)	61,1 (2.406)	23,2 (0.913)	FWDFM50P	FWDFM50S standard		- K413

Connectors with solder pot termination, rear mounting

Dichtrahmen zur Befestigung auf der Rückseite der Montageplatte
 Watertight frame for fixing on the rear side of the mounting plate

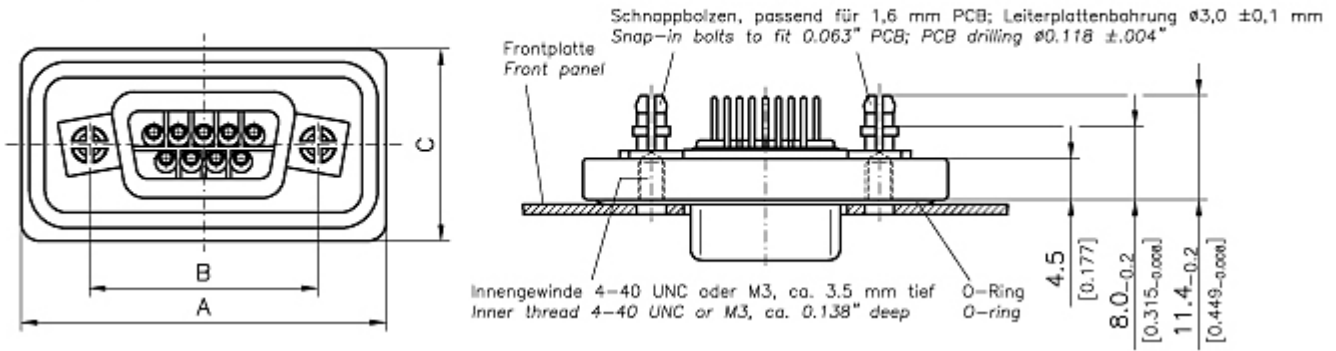


Connectors with solder pot termination, max. AWG 20

Number of contacts	A	B	C	Order number pin	Order number socket	Inner thread	re
	±0,2 (±0.008)	±0,1 (±0.004)	±0,2 (±0.008)			4-40 UNC	M3
9	40,0 (1.575)	25,0 (0.984)	21,0 (0.827)	FWDRM09P	FWDRM09S standard		- K414
15	48,3 (1.902)	33,3 (1.311)	21,0 (0.827)	FWDRM15P	FWDRM15S standard		- K414
25	62,0 (2.441)	47,04 (1.852)	21,00 (0.827)	FWDRM25P	FWDRM25S standard		- K414
37	78,5 (3.091)	63,5 (2.500)	21,0 (0.827)	FWDRM37P	FWDRM37S standard		- K414
50	76,1 (2.996)	61,1 (2.406)	23,2 (0.913)	FWDRM50P	FWDRM50S standard		- K414

Connectors with straight PCB termination

Dichtrahmen zur Befestigung auf der Rückseite der Montageplatte
 Watertight frame for fixing on the rear side of the mounting plate

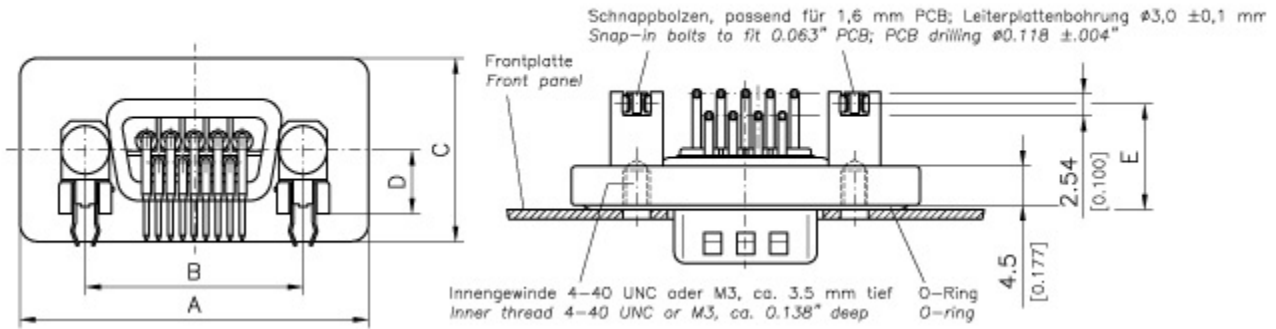


Connectors with straight PCB termination, ($\varnothing 0.024$), pre-tinned

Number of contacts	A	B	C	Order number pin	Order number socket	Inner thread
	$\pm 0,2$	$\pm 0,1$	$\pm 0,2$			I
	(± 0.008)	(± 0.004)	(± 0.008)			4-40 UNC M3
9	40,0 (1.575)	25,0 (0.984)	21,0 (0.827)	FWDRM09P1	FWDRM09S1 standard	- K415
15	48,3 (1.902)	33,3 (1.311)	21,0 (0.827)	FWDRM15P1	FWDRM15S1 standard	- K415
25	62,0 (2.441)	47,04 (1.852)	21,00 (0.827)	FWDRM25P1	FWDRM25S1 standard	- K415
37	78,5 (3.091)	63,5 (2.500)	21,0 (0.827)	FWDRM37P1	FWDRM37S1 standard	- K415
50	76,1 (2.996)	61,1 (2.406)	23,2 (0.913)	FWDRM50P1	FWDRM50S1 standard	- K415

Connectors with right angled PCB terminations

Dichrahmen zur Befestigung auf der Rückseite der Montageplatte
 Watertight frame for fixing on the rear side of the mounting plate



Connectors with right angled PCB termination, (Ø 0.024), pre-t

Number of contacts	A	B	C	D	Order number pin	Order number socket	I tl
	±0,2 (±0.008)	±0,1 (±0.004)	±0,2 (±0.008)	±0,1 (±0.004)			
9	40,0 (1.575)	25,0 (0.984)	21,0 (0.827)	7,3 (0.287)	FWDRM09P25	FWDRM09S25	sta
15	48,3 (1.902)	33,3 (1.311)	21,0 (0.827)	7,3 (0.287)	FWDRM15P25	FWDRM15S25	sta
25	62,0 (2.441)	47,04 (1.852)	21,0 (0.827)	7,3 (0.287)	FWDRM25P25	FWDRM25S25	sta
37	78,5 (3.091)	63,5 (2.500)	21,0 (0.827)	7,3 (0.287)	FWDRM37P25	FWDRM37S25	sta
50	76,1 (2.996)	61,1 (2.406)	23,2 (0.913)	8,8 (0.346)	FWDRM50P5	FWDRM50S5	sta