

Technical Data Sheet**Reverse Package Top View LEDs**

67-21/T3C-EU1V2M/2A0**Features**

- Fluorescence Type
- High Luminous Intensity
- High Efficiency
- Emission Color:x=0.29,y=0.30
- ESD protection.
- Pb-free.
- The product itself will remain within RoHS compliant version.

**Descriptions**

The white LED which was fabricated using a blue LED and a phosphor, and the phosphor is excited by blue light and emits yellow fluorescence. The mixture of blue light and yellow light results in a white emission.

Applications

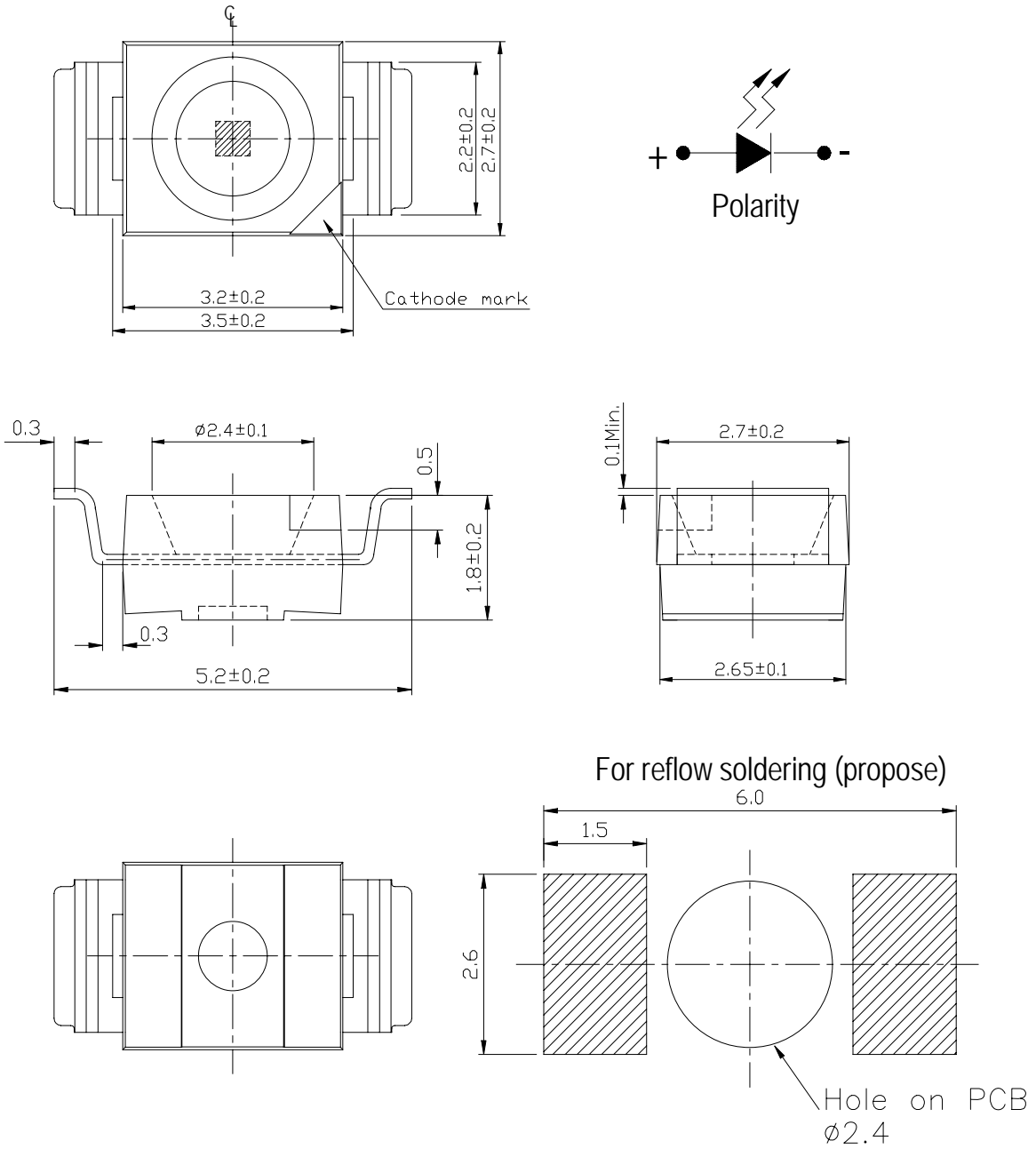
- OA Equipment
- Backlighting of Full Color LCD
- Automotive Equipment
- Replacement of Conventional Light Bulbs and Fluorescent Lamps

Device Selection Guide

Chip		Lens Color
Material	Emitted Color	
InGaN	White	Water Clear

67-21/T3C-EU1V2M/2A0

Package Dimensions



Note: The tolerances unless mentioned is ± 0.1 mm; Unit = mm

67-21/T3C-EU1V2M/2A0

Absolute Maximum Ratings (Ta=25°C)

Parameter	Symbol	Rating	Unit
Reverse Voltage	V _R	5	V
Forward Current	I _F	25	mA
Peak Forward Current (Duty 1/10 @1KHz)	I _{FP}	100	mA
Power Dissipation	P _d	110	mW
Electrostatic Discharge(HBM)	ESD	150	V
Operating Temperature	T _{opr}	-40 ~ +85	°C
Storage Temperature	T _{stg}	-40 ~ +90	°C
Soldering Temperature	T _{sol}	Reflow Soldering : 260 °C for 10 sec. Hand Soldering : 350 °C for 3 sec.	

Electro-Optical Characteristics (Ta=25°C)

Parameter	Symbol	Min.	Typ.	Max.	Units	Condition
Luminous Intensity	I _V	450	-----	1120	mcd	I _F =20mA
Viewing Angle	2θ 1/2	--	120	--	deg	I _F =20mA
Forward Voltage	V _F	2.75	-----	3.95	V	I _F =20mA
Reverse Current	I _R	--	--	50	μA	V _R =5V

- Notes:**
- 1.Tolerance of Luminous Intensity ±10%
 - 2.Tolerance of Dominant Wavelength ±1nm
 - 3.Tolerance of Forward Voltage ±0.1V

67-21/T3C-EU1V2M/2A0**Bin Range Of Luminous Intensity**

Bin Code	Min.	Max.	Unit	Condition
U1	450	565	mcd	$I_F = 20\text{mA}$
U2	565	715		
V1	715	900		
V2	900	1120		

Bin Range Of Forward Voltage

Group	Bin Code	Min.	Max.	Unit	Condition
E	5	2.75	3.05	V	$I_F = 205\text{mA}$
	6	3.05	3.35		
	7	3.35	3.65		
	8	3.65	3.95		

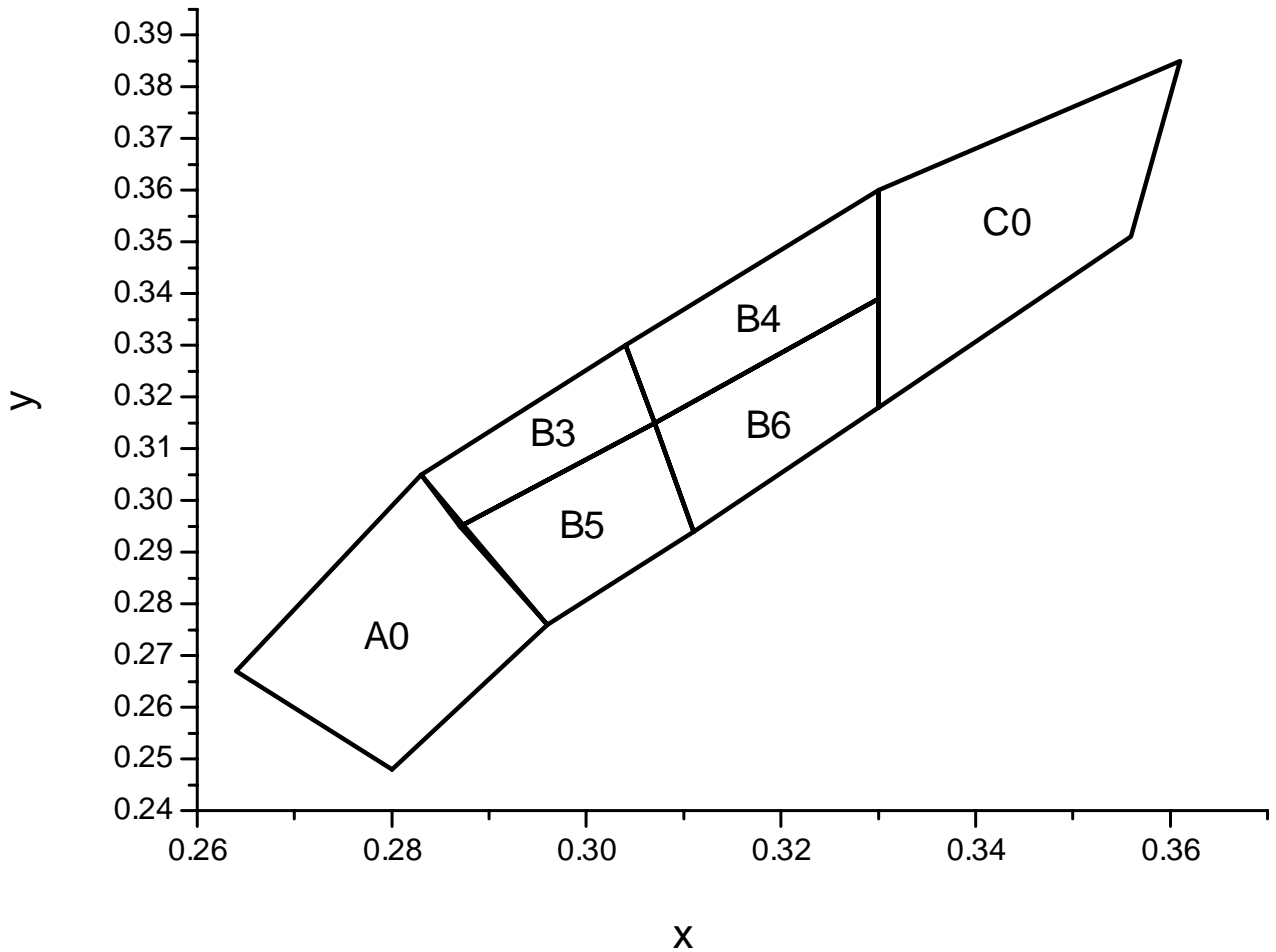
Notes: 1.Tolerance of Luminous Intensity $\pm 10\%$ **2.Tolerance of Dominant Wavelength $\pm 1\text{nm}$** **3.Tolerance of Forward Voltage $\pm 0.1\text{V}$**

67-21/T3C-EU1V2M/2A0

Group	Bin Code	CIE_x	CIE_y	Bin Code	CIE_x	CIE_y
E	A0	0.280	0.248	B6	0.311	0.294
		0.264	0.267		0.307	0.315
		0.283	0.305		0.330	0.339
		0.296	0.276		0.330	0.318
	B3	0.287	0.295	B4	0.307	0.315
		0.283	0.305		0.304	0.33
		0.304	0.330		0.33	0.36
		0.307	0.315		0.33	0.339
		0.296	0.276		/	
	0.287	0.295				
	0.307	0.315				
	0.311	0.294				

*The C.I.E. 1931 chromaticity diagram (Tolerance ± 0.01).

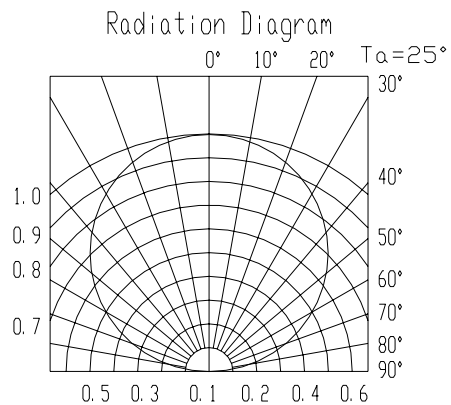
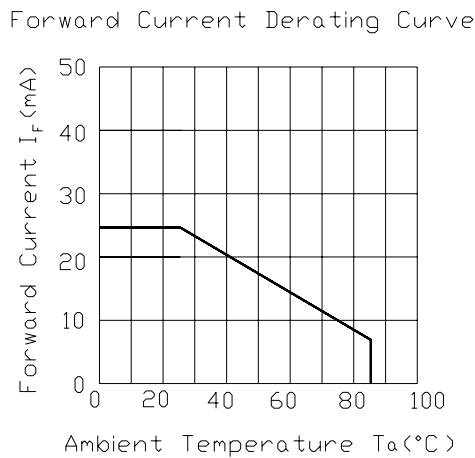
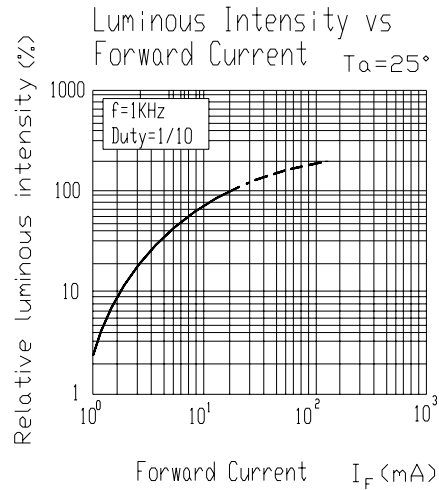
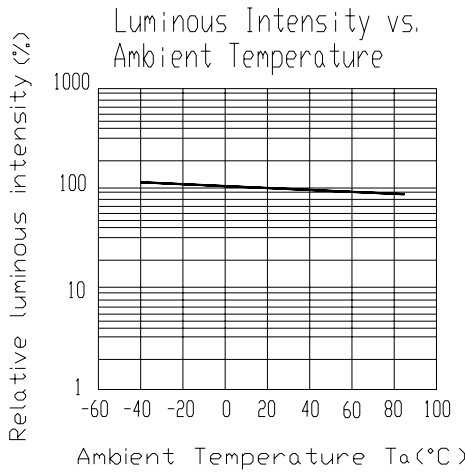
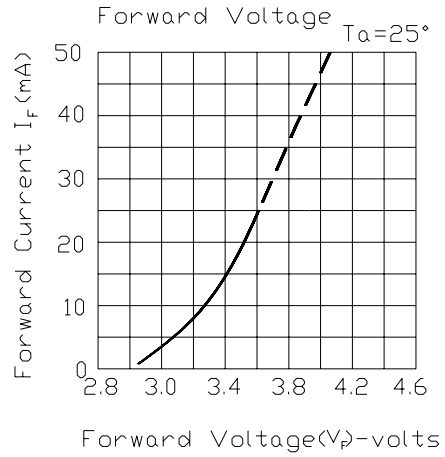
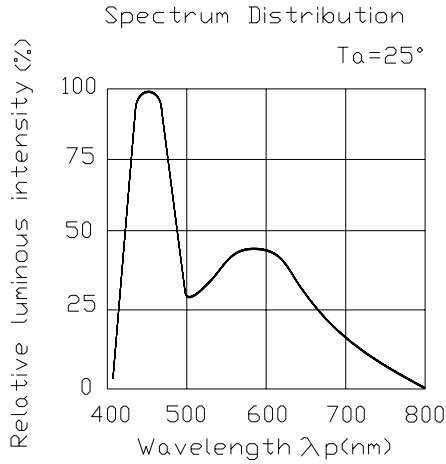
CIE Chromaticity Diagram



***The C.I.E. 1931 chromaticity diagram (Tolerance ± 0.01).**

67-21/T3C-EU1V2M/2A0

Typical Electro-Optical Characteristics Curves



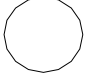



67-21/T3C-EU1V2M/2A0

Label explanation

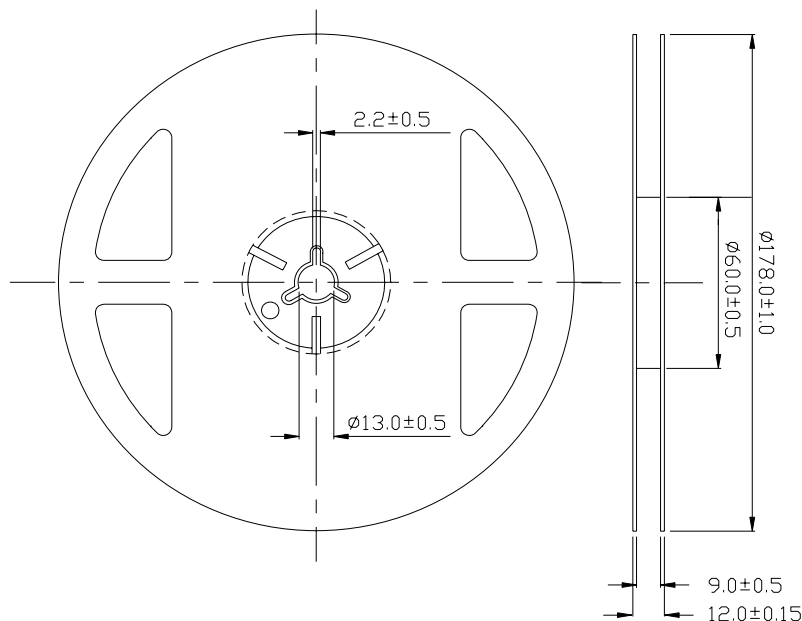
CAT: Luminous Intensity Rank

HUE: Chromaticity Coordinates

REF: Forward Voltage Rank

EVERLIGHT	
CPN: XXXXXX	
P/N: XXXXXX	
	RoHS
XXXXXXXXXXXXXXXXXXXX	
QTY: XXXX	
	CAT:
LOT NO: XXXXXXXXXXXX	HUE:
	REF:
MADE IN TAIWAN	

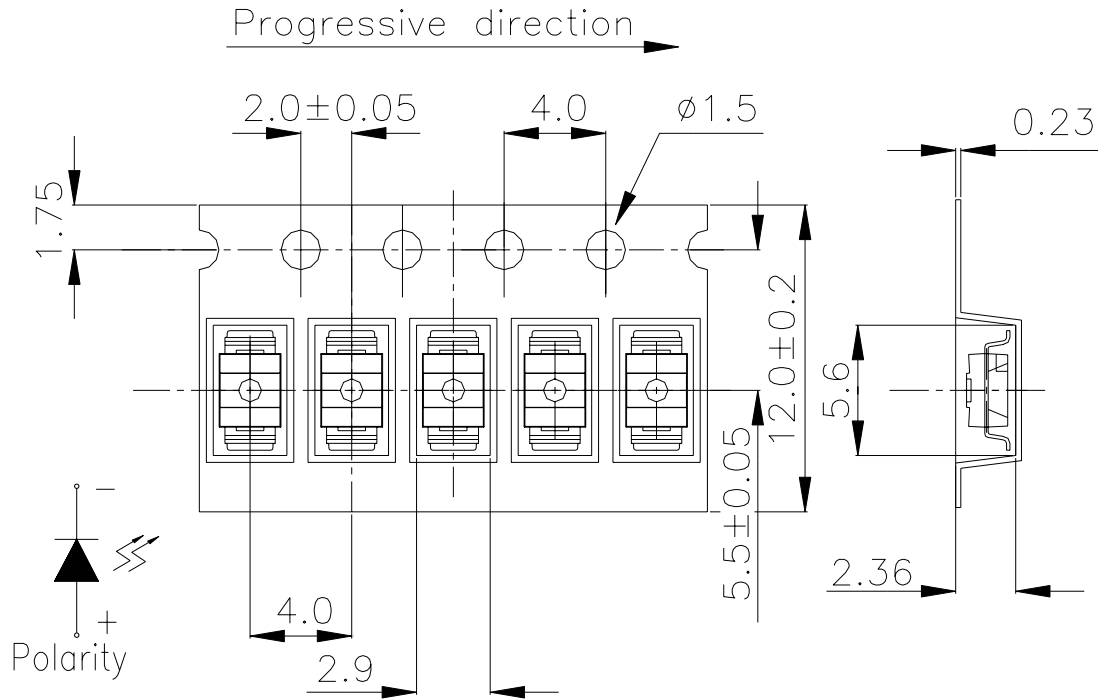
Reel Dimensions



Note: The tolerances unless mentioned is ± 0.1 mm ,Unit = mm

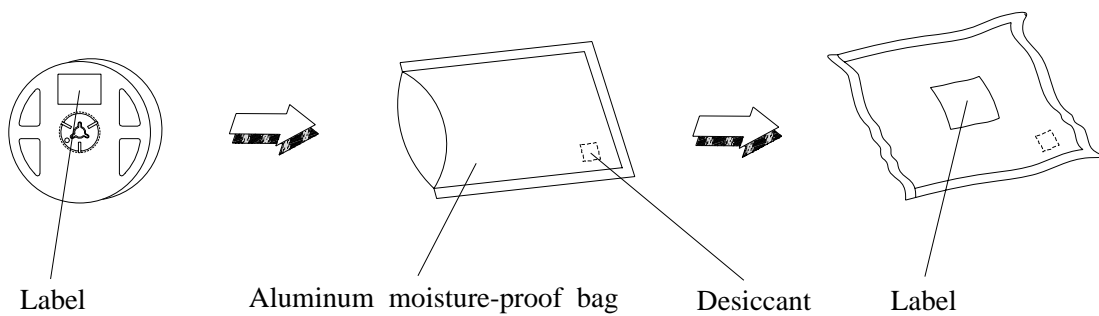
67-21/T3C-EU1V2M/2A0

Carrier Tape Dimensions: Loaded quantity 2000 PCS per reel.



Note: The tolerances unless mentioned is ±0.1mm;Unit = mm

Moisture Resistant Packaging



67-21/T3C-EU1V2M/2A0

Reliability Test Items And Conditions

The reliability of products shall be satisfied with items listed below.

Confidence level : 90%

LTPD : 10%

No.	Items	Test Condition	Test Hours/Cycles	Sample Size	Ac/Re
1	Reflow Soldering	Temp. : 260°C ±5°C Min. 5sec.	6 min	22 PCS.	0/1
2	Temperature Cycle	H : +100°C 15min ∫ 5 min L : -40°C 15min	300 Cycles	22 PCS.	0/1
3	Thermal Shock	H : +100°C 5min ∫ 10 sec L : -10°C 5min	300 Cycles	22 PCS.	0/1
4	High Temperature Storage	Temp. : 100°C	1000 Hrs.	22 PCS.	0/1
5	Low Temperature Storage	Temp. : -40°C	1000 Hrs.	22 PCS.	0/1
6	DC Operating Life	I _F = 20 mA	1000 Hrs.	22 PCS.	0/1
7	High Temperature / High Humidity	85°C / 85%RH	1000 Hrs.	22 PCS.	0/1

67-21/T3C-EU1V2M/2A0**Precautions For Use**

1. Over-current-proof

Customer must apply resistors for protection, otherwise slight voltage shift will cause big current change (Burn out will happen).

2. Storage

2.1 Do not open moisture proof bag before the products are ready to use.

2.2 Before opening the package: The LEDs should be kept at 30°C or less and 90%RH or less.

2.3 After opening the package: The LED's floor life is 1 year under 30 deg C or less and 60% RH or less.

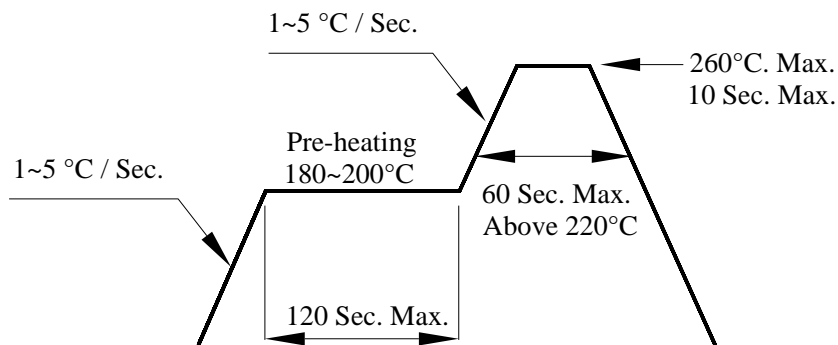
If unused LEDs remain, it should be stored in moisture proof packages.

2.4 If the moisture absorbent material (silica gel) has faded away or the LEDs have exceeded the storage time, baking treatment should be performed using the following conditions.

Baking treatment : 60±5°C for 24 hours.

3. Soldering Condition

3.1 Pb-free solder temperature profile



3.2 Reflow soldering should not be done more than two times.

3.3 When soldering, do not put stress on the LEDs during heating.

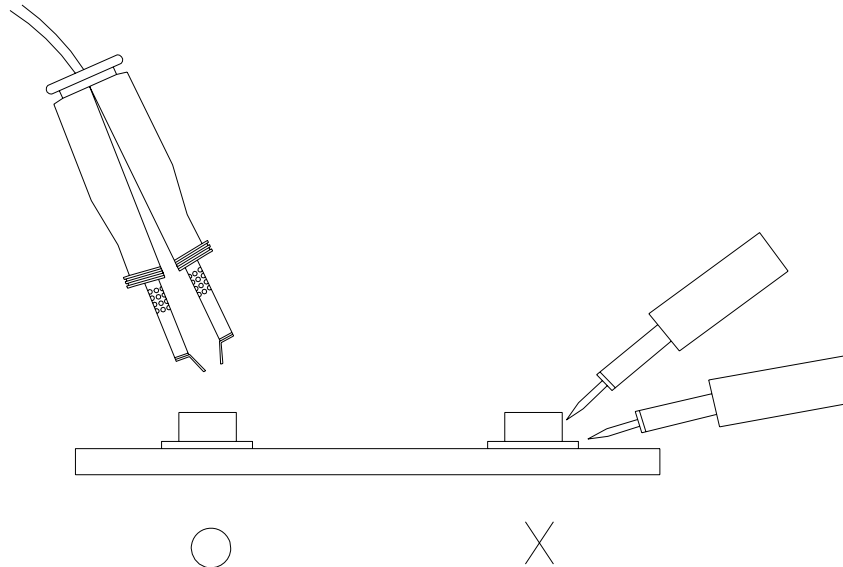
3.4 After soldering, do not warp the circuit board.

4.Soldering Iron

Each terminal is to go to the tip of soldering iron temperature less than 350°C for 3 seconds within once in less than the soldering iron capacity 25W. Leave two seconds and more intervals, and do soldering of each terminal. Be careful because the damage of the product is often started at the time of the hand solder.

5.Repairing

Repair should not be done after the LEDs have been soldered. When repairing is unavoidable, a double-head soldering iron should be used (as below figure). It should be confirmed beforehand whether the characteristics of the LEDs will or will not be damaged by repairing.



EVERLIGHT ELECTRONICS CO., LTD.

Office: No 25, Lane 76, Sec 3, Chung Yang Rd,
Tucheng, Taipei 236, Taiwan, R.O.C

Tel: 886-2-2267-2000, 2267-9936

Fax: 886-2267-6244, 2267-6189, 2267-6306

<http://www.everlight.com>