

INDUSTRIAL—ENVIRONMENTALLY SEALED SWITCHES

Series—8510, 8511, 8512

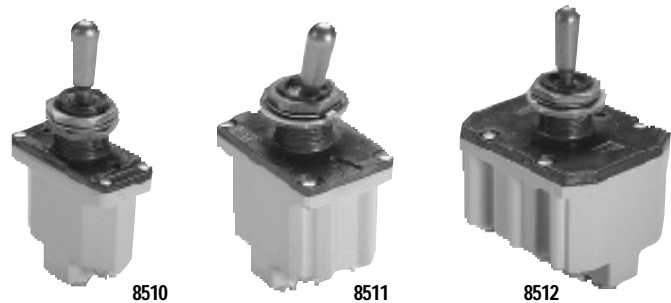
Environmentally Sealed Toggle Switches

FEATURES	SPECIFICATIONS	CURRENT RATINGS								
		No. of Poles	Catalog Number	Type of Operation	28VDC			115VAC 60 or 400Hz		
					Lamp Load	Resistive Load	Inductive Load	Lamp Load	Resistive Load	Inductive Load
<ul style="list-style-type: none"> Completely sealed against dust, moisture, and other contaminants 1, 2 and 4 pole circuitry One hole mounting for easy installation Multi-circuits offered 2 & 3 position with maintained and momentary action Molded-in terminal inserts Molded-in terminal numbers See 8520-8528 for UL recognized and CSA certified version on page 13. 	<ul style="list-style-type: none"> Watertight seal per MIL-STD-108E exceeds IP66/67 Thermoset molding materials meet flame retardant requirements Temperature Range: -50°F to +150°F (-46°C to +66°C) Life: 20,000 operations at rated load Bushing: 15/32" - 32 thread 	1	8510	Maintained	5	20	15	3	15	10
				Momentary	4	15	10	2	15	7
		2	8511	Maintained	7	20	15	4	15	15
				Momentary	5	18	10	2	11	8
		4	8512	Maintained	5	20	12	4	15	15
				Momentary	4	18	10	2	11	8

TOGGLE SWITCHES

SELECTION TABLE

FLUSH TERMINAL SCREWS



CIRCUIT WITH LEVER IN...			ONE POLE	TWO POLE	FOUR POLE
Up Position	Center Position	Down Position (Keyway)	Catalog Number	Catalog Number	Catalog Number
ON	OFF	ON	8510K1	8511K1	8512K1
ON	NONE	OFF	K9	K9	K9
ON	NONE	ON	K4	K4	K4
ON	OFF	NONE	K6	K6	K6
ON	OFF *	NONE	K8	K8	K8
ON	NONE	ON*	8510K5	8511K5	8512K5
* ON	OFF	ON*	K2	K2	K2
NONE	OFF	ON*	K7	K7	K7
ON	NONE	OFF*	K10	K10	K10
OFF	NONE	ON*	K11	K11	K11
ON	OFF	ON*	8510K3	8511K3	8512K3
* ON	ON	NONE	K12	K12	K12
ON	ON	NONE	K13	K13	K13
ON	ON	ON		8511K14	8512K15
ON	ON	ON*		K15	K16
* ON	ON	ON*		K16	K17

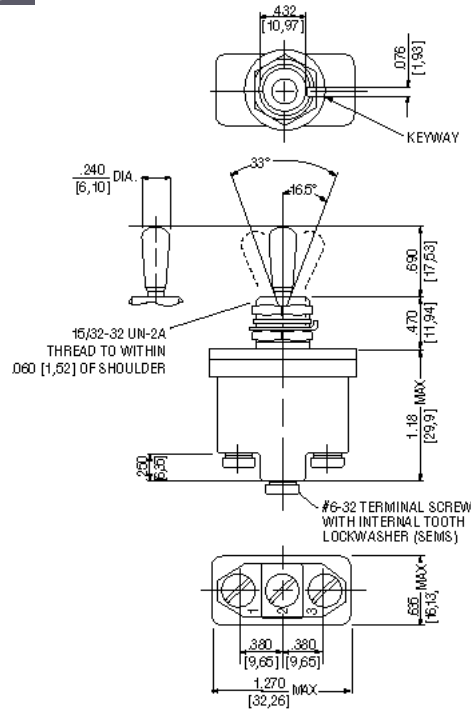
*Momentary contact.
See Page 73 for circuit diagrams.

INDUSTRIAL—ENVIRONMENTALLY SEALED SWITCHES

Series—8510, 8511, 8512

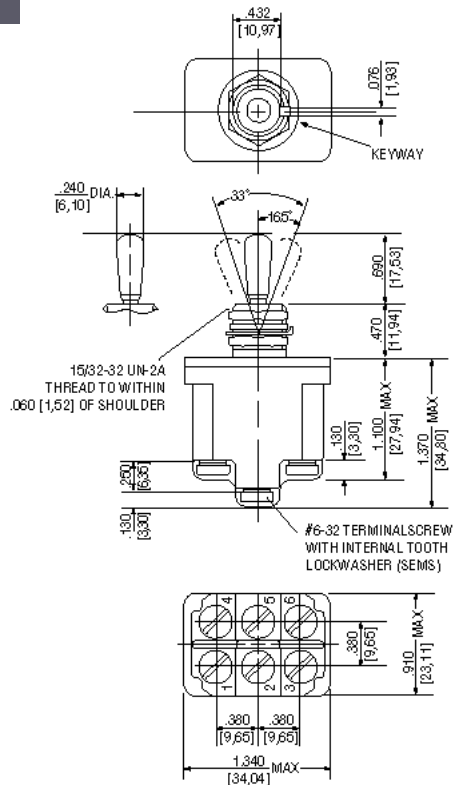
Environmentally Sealed Toggle Switches

MOUNTING DIMENSIONS—ONE POLE / 8510



Terminal Identification

MOUNTING DIMENSIONS—TWO POLE / 8511



Terminal Identification

STANDARD
 0.00 = inches
 [0,0] = mm

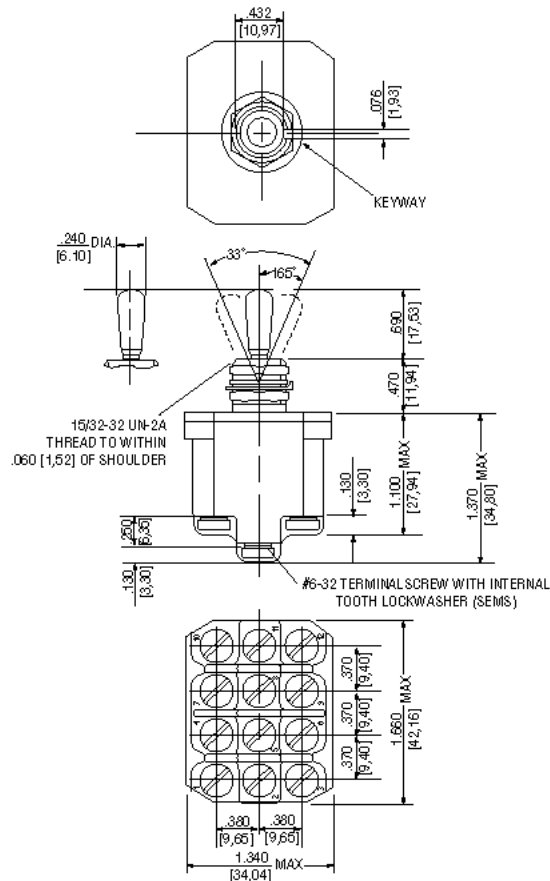
Mounting dimensions for reference only.
 Non-functional terminals not supplied.

INDUSTRIAL—ENVIRONMENTALLY SEALED SWITCHES

Series—8510, 8511, 8512

Environmentally Sealed Toggle Switches

MOUNTING DIMENSIONS—FOUR POLE / 8512

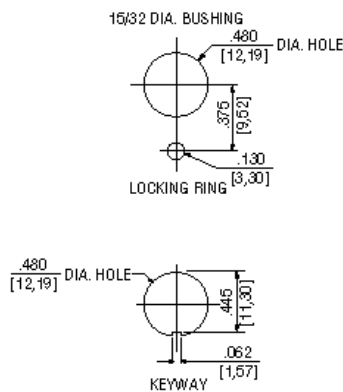


Terminal Identification

OPTIONS/ACCESSORIES

- Special mounting hardware
- Mounting hardware furnished assembled
- Terminal screws furnished assembled
- Special toggle levers
- Special circuits
- Panel seal, Part Number 32-341
- Spade terminal adapters available

PANEL CUTOUT DIMENSIONS



STANDARD
0.00 = inches
[0,0] = mm

Mounting dimensions for reference only.

Non-functional terminals not supplied.